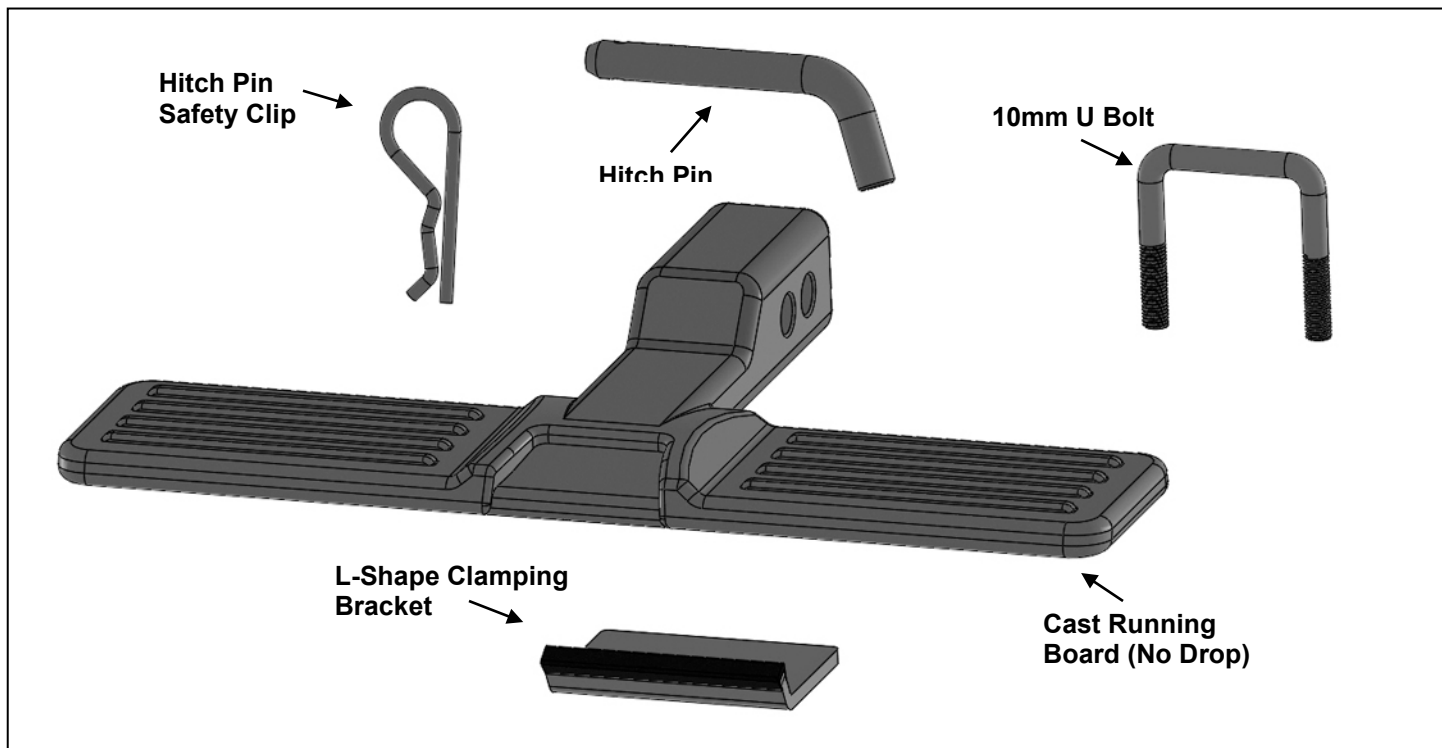


**CAST UNIVERSAL HITCH STEP WITH NO DROP  
EXCLUDES CLASS 1 & 2 RECEIVERS  
ONLY FOR 2" RECEIVER HITCH**

**PARTS LIST:**

1	Cast Running Board (17in)	1	10-1.25mm U-Bolt
1	Hitch Pin	2	10mm x 27mm x 2mm Flat Washer
1	Hitch Pin Safety Clip	2	10mm Nylon Lock Nut
1	L-Shaped Clamping Bracket		



**PROCEDURE: REMOVE CONTENTS FROM BOX. VERIFY ALL PARTS ARE PRESENT. READ INSTRUCTIONS CAREFULLY BEFORE STARTING INSTALLATION.**

1. Locate the tow hitch below the rear bumper, **(Figure 1)**. Next, locate the holes in the receiver hitch tube, **(Figure 2)**.
2. Select the Cast Running Board. Insert the tube end of the Running Board into the receiver hitch tube. Align the holes in the tube with the mounting holes on the Running Board, **(Figure 3)**.
3. Insert the Hitch Pin through the receiver tube and Running Board pin holes. Use the Hitch Pin Safety Clip to secure the Pin in place, **(Figures 3 & 5)**.
4. Next, select the L-Shaped Clamping Bracket and the 10mm U-Bolt. Place the L-Shaped Clamping Bracket under the Running Board and up against the end of the receiver hitch. Insert the 10mm U-Bolt over the Running Board and down through the L-Shaped Bracket. Use (2) 10mm Flat Washers and (2) 10mm Nylon Lock Nuts to secure the U-Bolt to the Bracket, **(Figures 4 & 5)**. **NOTE:** The L-shaped Bracket is used to help prevent rattling inside the receiver hitch. Do not tighten hardware.
5. Level and adjust the Cast Running Board as necessary and fully tighten all hardware.
6. Do periodic inspections of the installation to make sure that all hardware is secure and tight.

**To protect your investment**, wax this product after installing. Regular waxing is recommended to add a protective layer over the finish. Do not use any type of polish or wax that may contain abrasives that could damage the finish. Use mild soap to clean the Hitch Step.

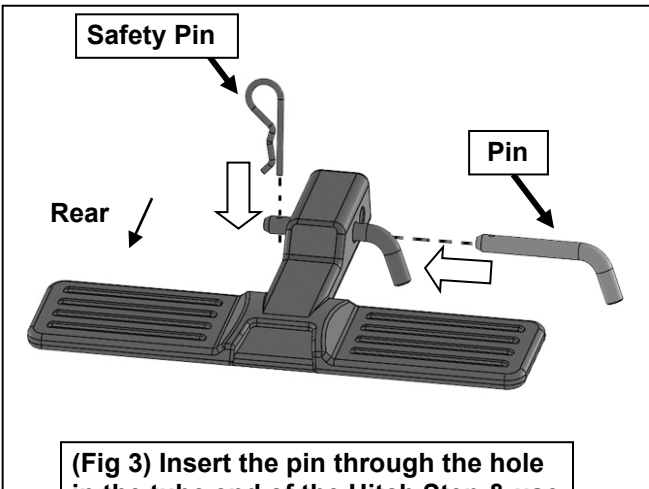
**CAST UNIVERSAL HITCH STEP WITH NO DROP  
EXCLUDES CLASS 1 & 2 RECEIVERS  
ONLY FOR 2" RECEIVER HITCH**



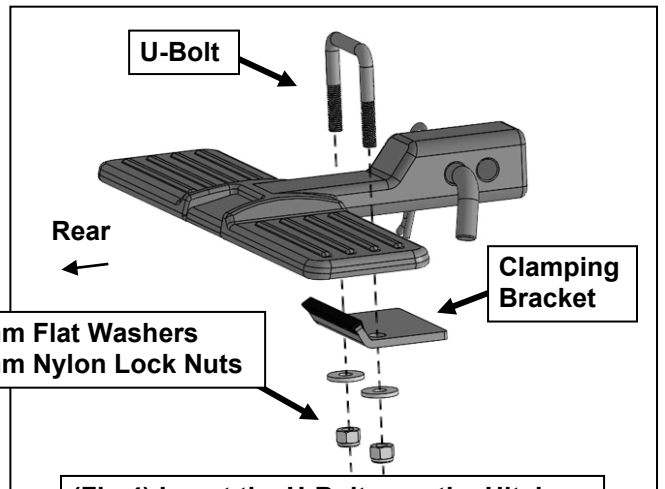
**(Fig 1) Cast Hitch Step mounting location**



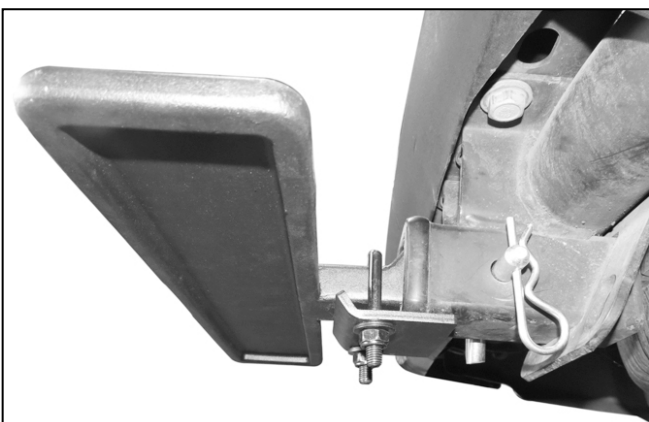
**(Fig 2) Insert the tube end on the Hitch Step through hitch opening**



**(Fig 3) Insert the pin through the hole in the tube end of the Hitch Step & use the safety pin to lock the pin in place**



**(Fig 4) Insert the U-Bolt over the Hitch Step and through the Clamping Bracket**



**(Fig 4) Cast Running Board Installed**



**Complete Installation**