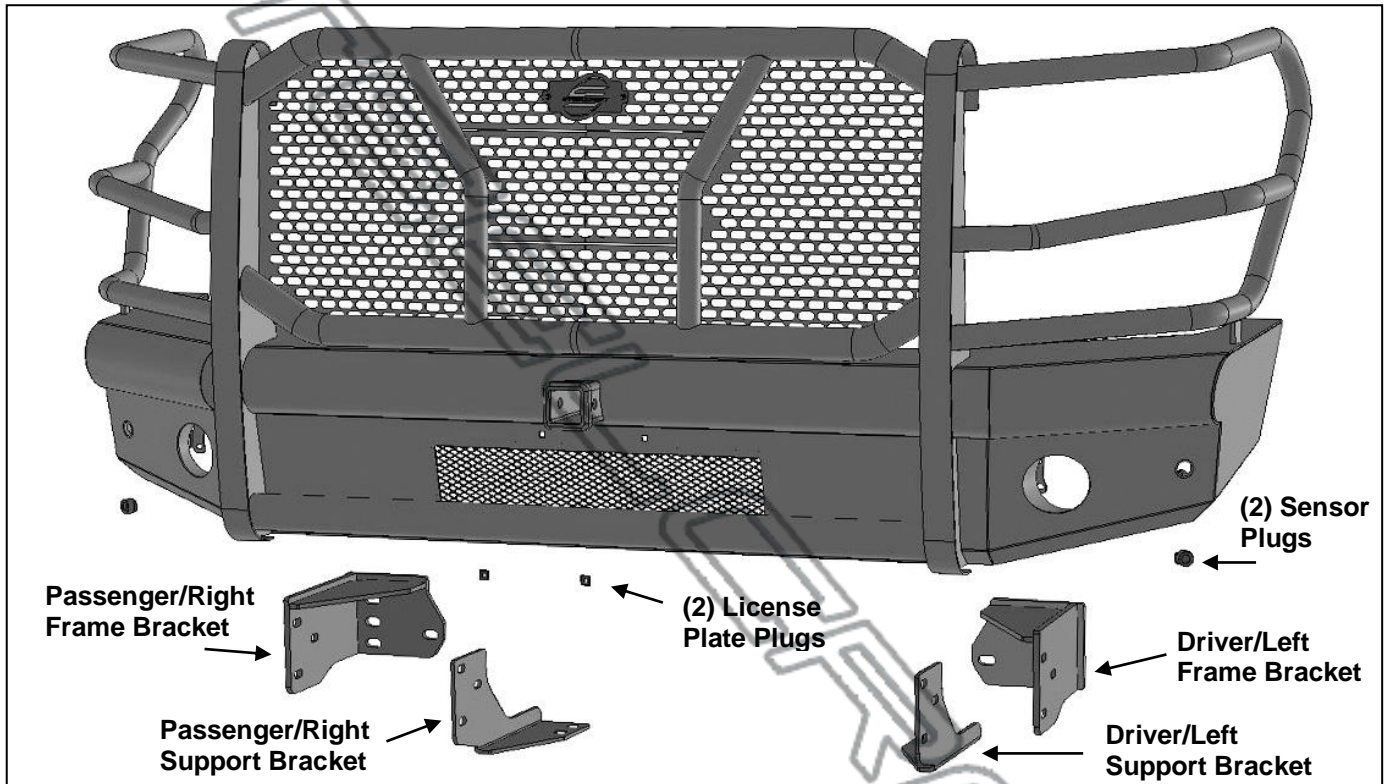


**HD REPLACEMENT FRONT BUMPER  
2014-21 TOYOTA TUNDRA**

**PARTS LIST:**

1	HD Replacement Front Bumper	6	12mm Lock Washers
1	Driver/left Frame Mounting Bracket	6	12mm Hex Nuts
1	Passenger/right Frame Mounting Bracket	8	10mm x 34mm x 3mm Large Flat Washers
1	Driver/left Lower Support Bracket	8	6-1.00mm x 20mm Hex Bolts
1	Passenger/right Lower Support Bracket	16	6-1.00mm x 18mm x 1.6mm Flat Washers
2	Plastic Plugs for License Plate	8	6mm Nylon Lock Nuts
2	Rubber Sensor Hole Plugs	4	4mm x 10mm Button Head Screws
1	Sensor Cover Kit	1	4mm Wrench
6	12-1.75mm x 60mm Hex Bolts	1	2.5mm Wrench
12	12mm x 37mm OD x 3mm Flat Washers		



**PROCEDURE:**

**REMOVE CONTENTS FROM BOX. VERIFY ALL PARTS ARE PRESENT. READ INSTRUCTIONS CAREFULLY BEFORE STARTING INSTALLATION. BUMPER IS HEAVY, ASSISTANCE IS HIGHLY RECOMMENDED TO AVOID POSSIBLE INJURY OR DAMAGE TO THE VEHICLE.**

**INSTALLATION IS NOT COMPATIBLE WITH LASER CONTROLLED CRUISE CONTROL SYSTEMS.**

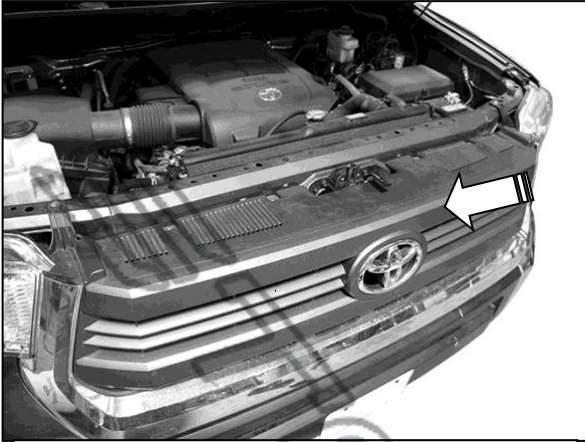
1. Open the hood and remove the plastic cover from the top of the radiator and the grille, **(Figure 1)**. Temporarily remove the plastic grille.
2. Move to the driver/left wheel opening. Remove the hardware attaching the plastic cover to the back and bottom of the outer end of the front bumper, **(Figures 2 & 3)**. Next, remove the plastic clip attaching the cover to the side of the frame and remove the cover, **(Figure 4)**.
3. Remove the hardware attaching the plastic body fill panel, (fascia), between the bumper and the headlight and temporarily remove the body panel, **(Figures 2, 5 & 6)**.
4. Repeat **Steps 2 & 3** to remove the plastic covers and Facia body panel from the passenger/right side.
5. Unplug the wiring harness leading to the front bumper, **(Figure 7)**.
6. Remove the license plate and bracket.
7. Remove the hardware attaching the plastic cover on the bottom of the bumper to the bottom of the frame cross member, **(Figure 8)**. Next, remove both tow hooks.

## HD REPLACEMENT FRONT BUMPER 2014-21 TOYOTA TUNDRA

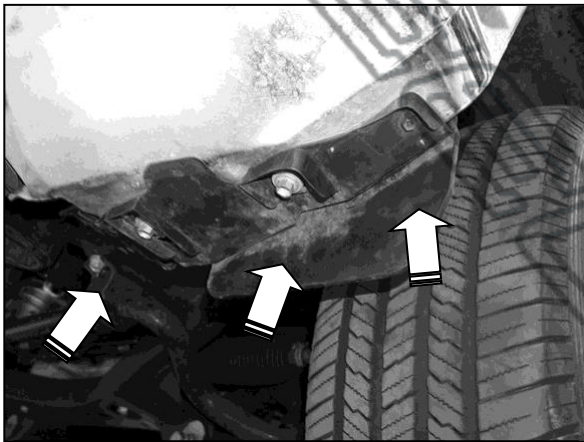
8. Place blocks or jack stands under the front bumper to support it during mounting bolt removal. Once the bumper has been supported, remove the hex nuts attaching the inner bumper bracket to the end of the frame, **(Figures 9)**. **WARNING!** Assistance is required to hold the bumper in place during hardware removal to prevent the bumper from falling. Remove the bumper assembly, **(Figure 10)**.
9. Select the driver/left Frame Bracket, **(Figure 11)**. Place the Bracket over the (4) studs on the end of the frame. Use the included (4) 10mm Large Flat Washers and reuse (4) factory bumper bracket hex nuts to attach the Bracket to the end of the frame, **(Figures 11—13)**. Do not fully tighten hardware.
10. Next, select driver/left Support Bracket, **(Figure 12)**. Reuse the tow hook and hardware to attach the Support Bracket to the bottom of the frame, **(Figures 12 & 13)**. Leave hardware loose at this time.
11. Repeat **Steps 9 & 10** to install the passenger/right Support Bracket and Frame Bracket.
  - a. **Determine if factory front bumper is equipped with sensors.**
12. **Models without bumper sensors:**
  - a. Select the included (2) Rubber Plugs.
  - b. From behind bumper, push plugs into sensor mounting holes, **(Figure 14)**. Use the included 4mm Screws to secure the Plug to the mount.**Models with bumper mounted sensors:**
  - a. Disassemble factory bumper, **(Figure 15)**. Unplug and remove all sensors and wiring harness from the factory bumper, **(Figure 16)**. Also remove the plastic sleeves, **(Figure 17)**.
  - b. Push the sleeve in from the front of the HD Bumper. Push the sensor into the mount and into the sleeve to hold it in place.
  - c. If the sensor is not locked in place by the sleeve, secure the sensor to the sleeve and mount with (2) 4mm x 10mm Button Head Screws, **(Figure 18)**. **IMPORTANT:** Sensors fit snug in sockets. The 4mm Screws are used to apply slight pressure to lock the sensors in place, **(Figure 19)**. Tighten both screws evenly until they touch the sensor body only. Do not overtighten screws or damage to sensor and sleeve will result.
  - d. Repeat the previous Steps to install the remaining sensor.
  - e. Install factory wiring harness and plug it into the sensors.
13. **Models with factory fog lights:**
  - a. Remove the driver/left light assembly from the back of the factory bumper.
  - b. Attach the light assembly to the tabs on the back of the HD Bumper with (4) 6mm x 16mm Hex Bolts, (8) 6mm Flat Washers and (4) 6mm Nylon Lock Nuts, **(Figures 20 & 21)**. **IMPORTANT:** To avoid damage to the tabs on the light, do not overtighten the hex bolts. **NOTE:** Mounting tabs on Bumper may shift during shipping, adjust location of mounting tabs to line up with light.
  - c. Repeat previous Steps to install the passenger/right fog light.
  - d. Plug the harness into the lights. Adjust lights and tighten all fog light bracket hardware.
14. With assistance, position the HD Bumper Assembly up to the Frame Brackets. Temporarily support the weight of the Bumper. **WARNING:** To avoid possible injury or damage to the vehicle, do not proceed until the Bumper is fully and safely supported.
15. Attach the driver/left side of the Bumper to the Bracket with the included (3) 12mm x 60mm Hex Bolts, (6) 12mm Flat Washers, (3) 12mm Lock Washers and (3) 12mm Hex Nuts, **(Figures 22 & 23)**. Do not fully tighten hardware. Repeat this **Step** to attach the passenger/right side of the Bumper.
16. Level and adjust the bumper and fully tighten all 12mm hardware to 65-70ft-lbs.
17. Reinstall the plastic fascia fill panels between the bumper and the headlights, **(Figure 5)**. Reinstall the plastic grille and top cover, **(Figure 1)**.
18. Use the included (2) push-in plastic plugs to attach the front license plate, (if required), to the (2) holes in the front bumper, **(Figure 24)**. On models equipped with grille mounted camera, remove the screen from the HD Bumper.
19. Do periodic inspections to the installation to make sure that all hardware is secure and tight.

**To protect your investment,** Do not use any type of polish or wax that may contain abrasives that could damage the finish. Mild soap may be used to clean the HD Replacement Front Bumper assembly.

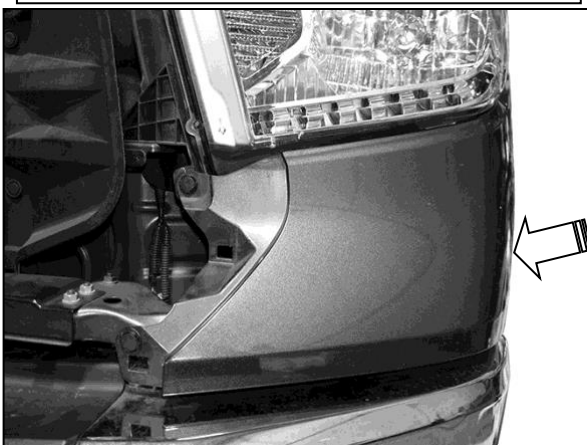
Driver/left Side Installation Pictured



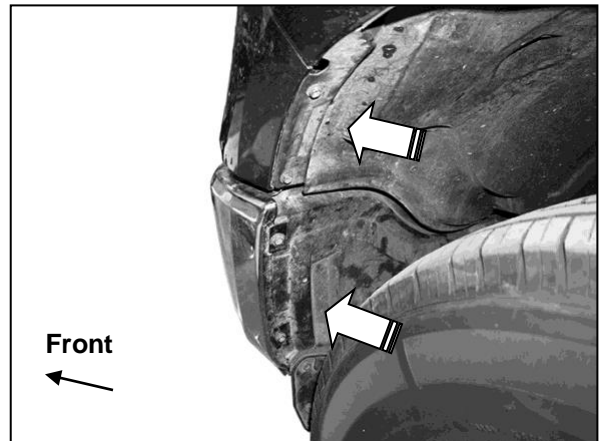
(Fig 1) Remove plastic top cover and grille



(Fig 3) Remove hardware attaching plastic cover to bottom of bumper (arrows)



(Fig 5) Remove plastic fascia body fill panel between headlight and bumper (arrow)

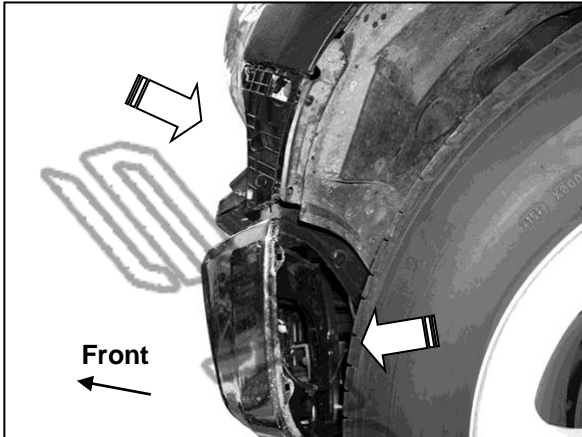


(Fig 2) Remove hardware attaching fender liner and plastic cover on back of bumper (arrows).



(Fig 4) Remove clip attaching plastic bumper cover to side of frame (arrow)

Driver/left Side Installation Pictured

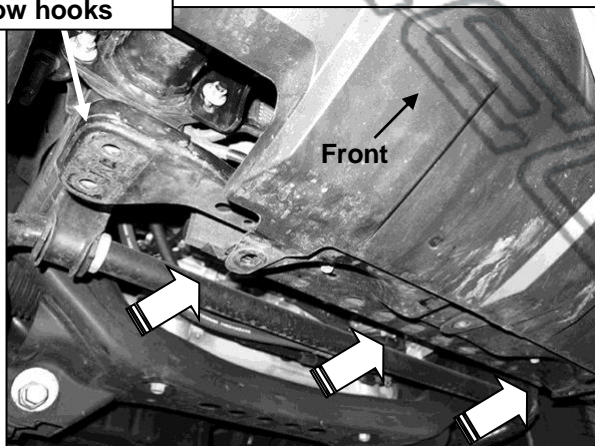


(Fig 6) Plastic cover on back of bumper and fascia body panel removed

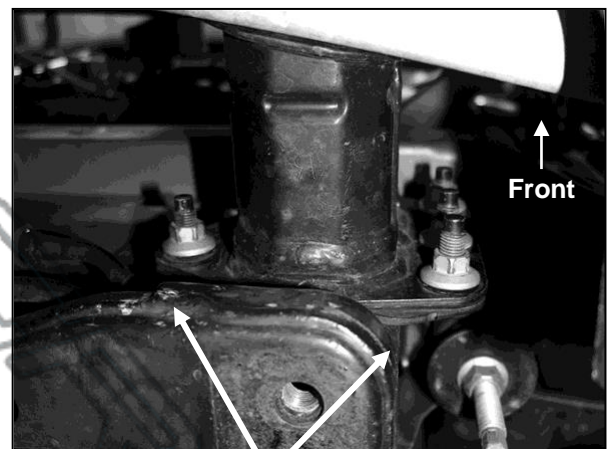


(Fig 7) Unplug wiring harness leading to bumper (passenger/right side pictured)

Remove both tow hooks



(Fig 8) Remove hardware attaching plastic cover on bottom of bumper to cross member (arrows)



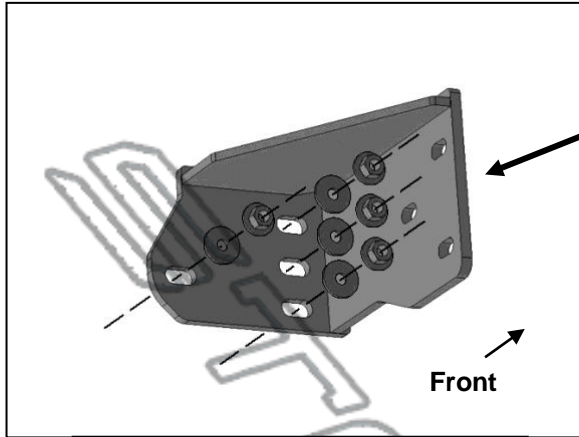
(Fig 9) Remove hex nuts attaching bumper brackets to end of frame. Driver/left side bumper bracket pictured from below



(Fig 10) Bumper removed, driver/left side pictured

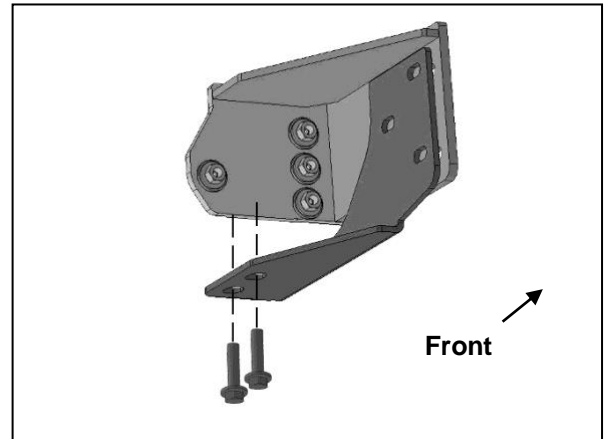
**WARNING!** Do not remove bumper bolts unless it is properly supported on blocks or stands or the bumper may fall.

Driver/left Side Installation Pictured



(4) 10mm Large Flat Washers  
(4) Factory Hex Nuts

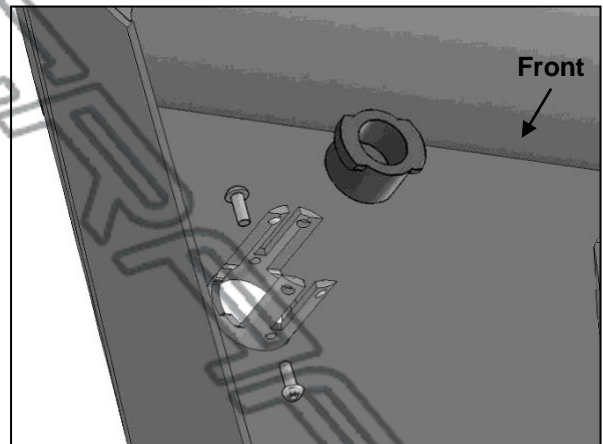
(Fig 11) Reuse factory hex nuts to attach Bracket to end of frame



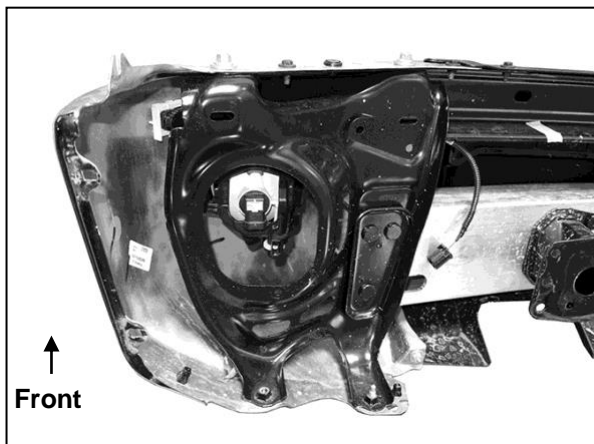
(Fig 12) Reuse factory hex bolts to install tow hook, (not pictured) over Support Bracket



(Fig 13) Support Bracket and Frame Bracket installed



(Fig 14) Push Plug into sensor mount. Use 4mm Screws to lock Plug in place.



(Fig 15) Disassemble factory bumper to remove sensors, fog lights and wiring harness as equipped

Driver/left Side Installation Pictured

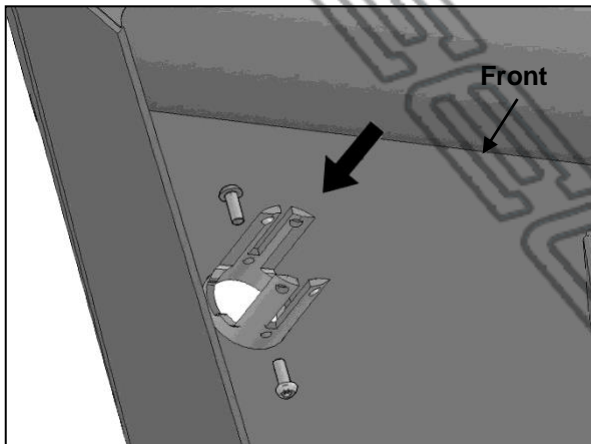


(Fig 16) Remove sensor, fog light and harness

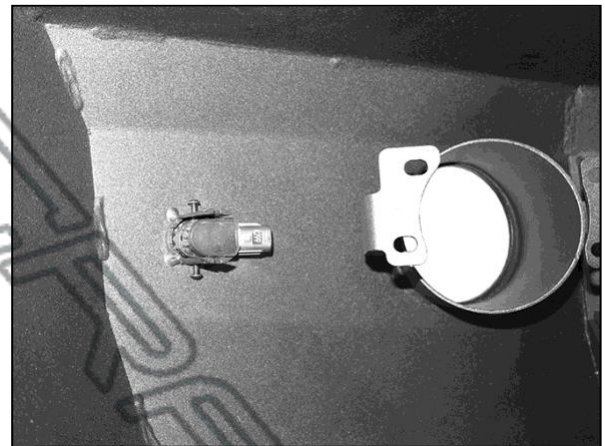
**IMPORTANT:** Sensors fit snug in sockets. The 4mm Screws are only used to apply slight pressure to lock the sensors in place. Tighten both screws evenly until they touch the sensor body only. Do not overtighten screws or damage to sensors will result.



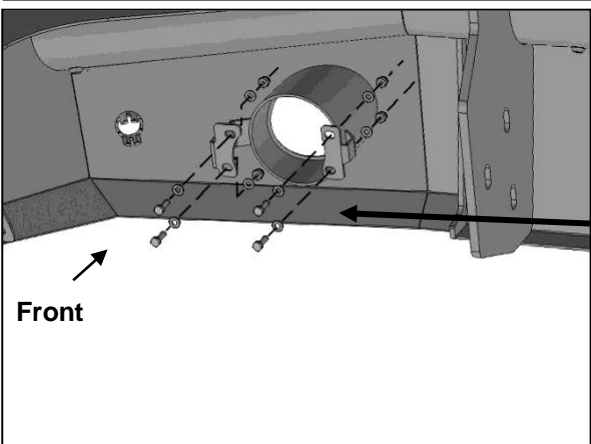
(Fig 17) Sensor and sleeve from bumper



(Fig 18) Push sensor sleeve in from front of Bumper. Push sensor into mount and plastic sleeve. Use 4mm Screws to lock sensor in place if not locked into plastic sleeve.



(Fig 19) Driver/left side Sensor installed



(Fig 20) Attach driver/left factory fog light

- (4) 6mm Hex Bolts
- (8) 6mm Flat Washers
- (4) 6mm Nylon Lock Nuts

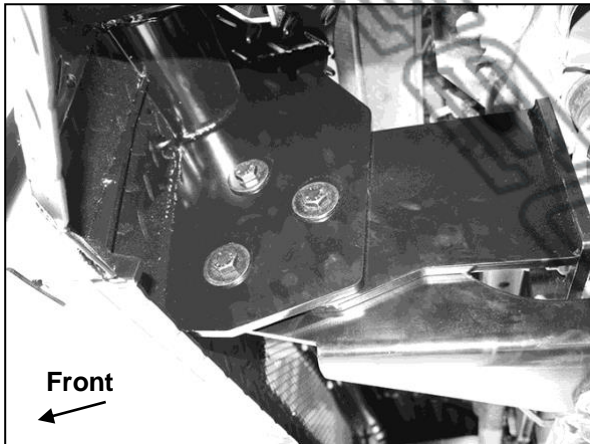
**WARNING!** Do not crawl under bumper unless it is properly supported on blocks or stands or the bumper may fall.

**HD REPLACEMENT FRONT BUMPER  
2014-21 TOYOTA TUNDRA**

**Driver/left Side Installation Pictured**



**(Fig 21) Driver/left fog light assembly installed**



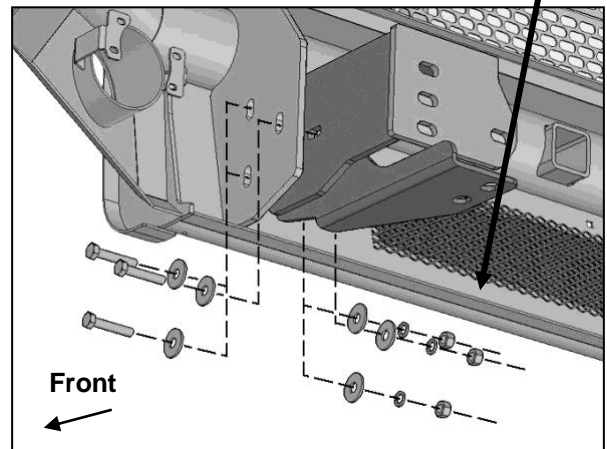
**(Fig 23) Driver/left side complete installation**



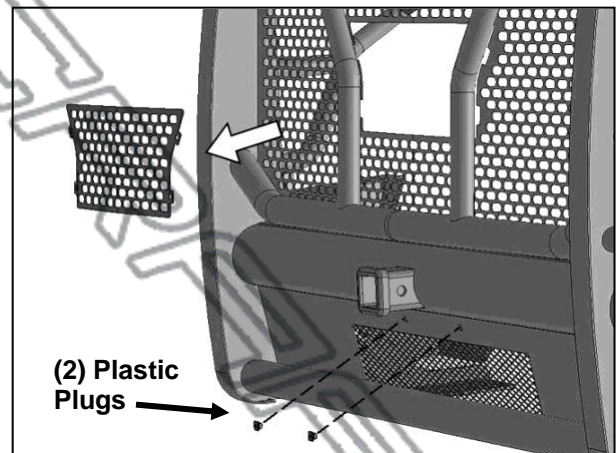
**Complete Installation**

**WARNING!** Do not crawl under bumper unless it is properly supported on blocks or stands or the bumper may fall.

- (2) 12mm x 45mm Hex Bolts
- (4) 12mm Flat Washers
- (2) 12mm Lock Washers
- (2) 12mm Hex Nuts



**(Fig 22) Attach driver/left side of Bumper to outside of Brackets**



**(Fig 24) Models with grille mounted camera, remove screen. Vehicles requiring front license plate, push Plastic Plugs into square holes in Bumper. Attach license plate to Plastic Plugs**