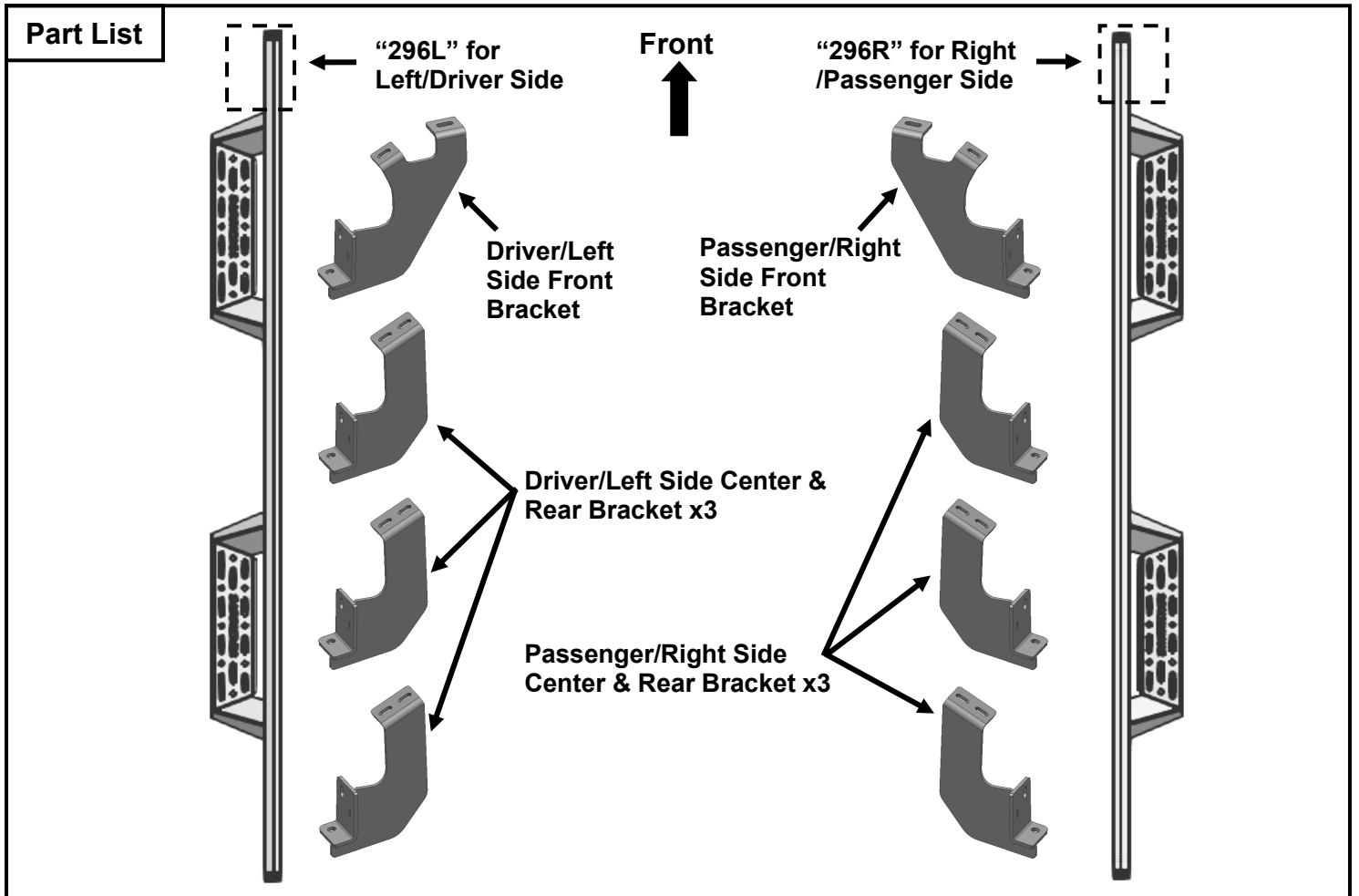


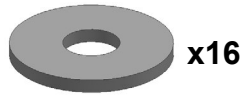
# BARRICADE

Canyon Drop Steps  
22-24 Tundra Crew Max  
SKU # TU51842





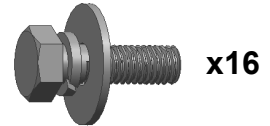
8mm x 30mm  
Hex Bolt



8mm Flat Washer



8mm Lock Washer



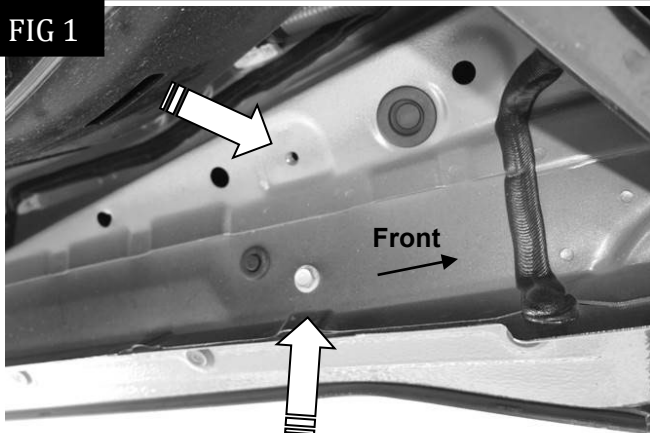
8mm x 25mm  
Combo Bolt

**PLEASE NOTE THAT THE FOLLOWING PICTURES ARE BASED ON THE DRIVER SIDE INSTALLATION**

## STEP 1

Starting on the Driver/Left front of the vehicle, remove the plastic plugs or factory hex bolts covering the (2) threaded holes in the floor panel, (Fig 1).

FIG 1

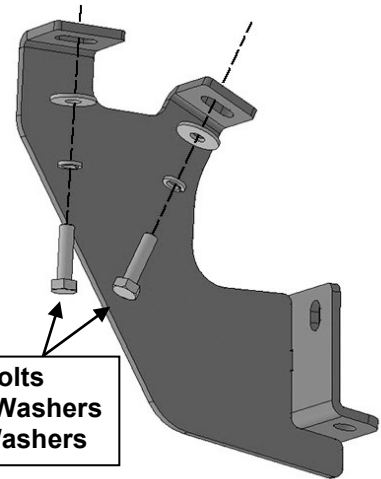


(Fig 1) Driver/Left side front mounting location.

## STEP 2

Select Driver/Left Front Mounting Bracket, (Fig 2). Attach the Bracket to the panel with (2) 8mm Hex Bolts, (2) 8mm Lock Washers and (2) 8mm Flat Washers, (Fig 2). Do not tighten hardware.

FIG 2



(Fig 2) Attach Driver/Left Front Mounting Bracket to the floor panel

## STEP 3

Next, move to the 2nd mounting location, (Fig 3). Select the Driver/Left Center/Rear Mounting Bracket, (Fig 4). **IMPORTANT:** The Center and Rear Brackets are the same. Repeat Step 2 to install the center Mounting Bracket, (Fig 4).

FIG 3

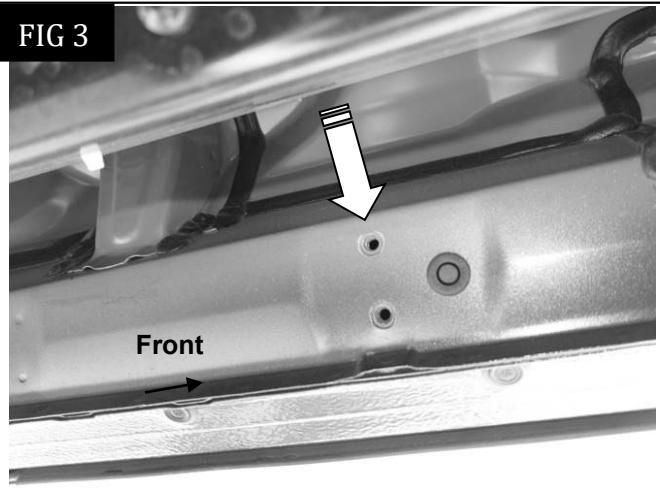
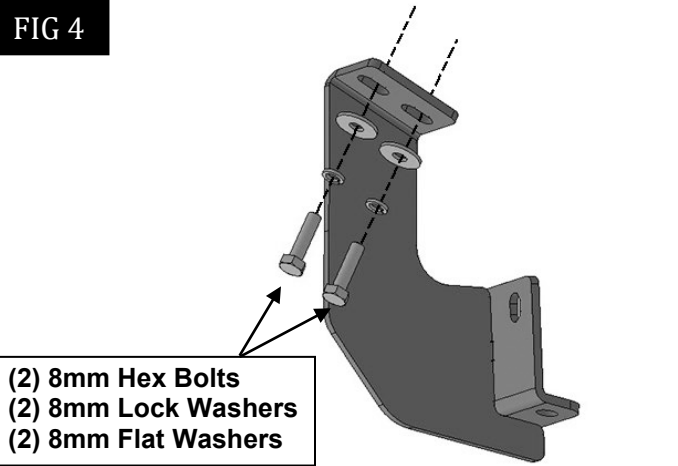


FIG 4

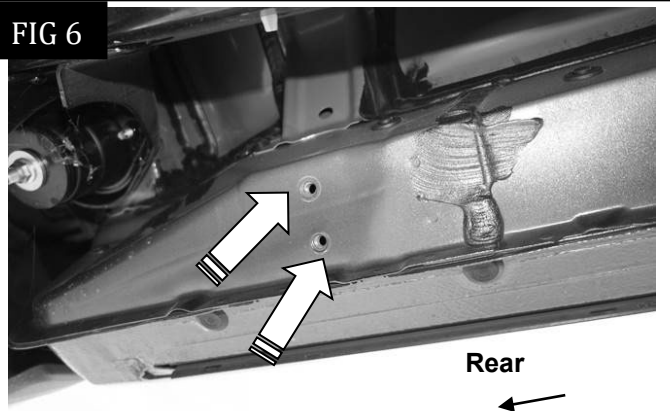


(2) 8mm Hex Bolts  
(2) 8mm Lock Washers  
(2) 8mm Flat Washers

(Fig 4) Attach Driver/Left Center & Rear Mounting Bracket to the floor panel

(Fig 3) Driver/left side 2nd mounting location

FIG 6

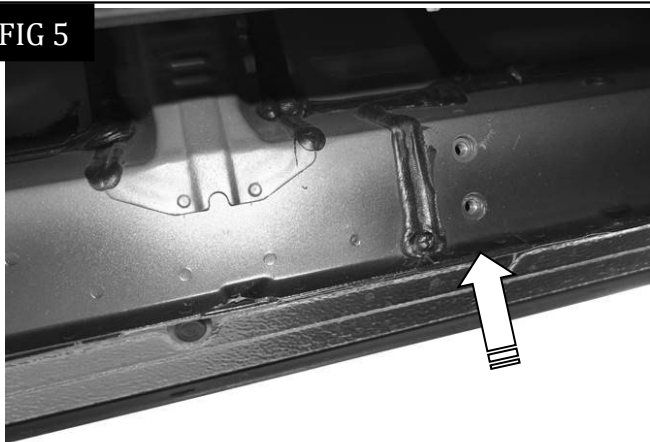


(Fig 6) Driver/left side 4th mounting location

## STEP 4

Move along to the 3rd mounting location, (Fig 5). Repeat **Step 2** to install Driver/Left Center/Rear Mounting Bracket on 3<sup>rd</sup> mounting location.

FIG 5



(Fig 5) Driver/left side 3rd mounting location

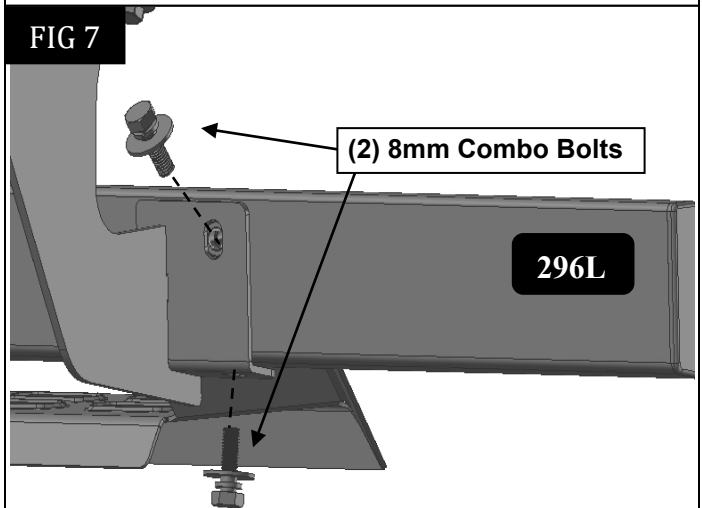
## STEP 5

Continue to the last, 4th, mounting location at the back of the cab, (Fig 6). Repeat **Step 2** to install the Driver/Left Center/Rear Mounting Bracket on rear mounting location.

## STEP 6

Select the Driver/Left Running Board. **NOTE:** The Driver/Left Running Board will have a "296L" on the front. Carefully place Running Board on the brackets. Attach Running Board to the Mounting Brackets with (8) 8mm Combo Bolts, (Fig 7). Do not tighten hardware.

FIG 7



(Fig 7) Attach Running Board to the Mounting Brackets

---

## STEP 7

Level and adjust the Driver/Left Running Board as desired and tighten all hardware.

---

## STEP 8

Repeat **Steps 1—7** to attach the Passenger/Right Running Board.

---

## STEP 9

Do periodic inspections to the installation to make sure that all hardware is secure and tight.

**To protect your investment**, wax this product after installing. Regular waxing is recommended to add a protective layer over the finish. Do not use any type of polish or wax that may contain abrasives that could damage the finish. Mild soap may be used to clean the Running Board.