



TCX HD DROP STEPS

(2007-2021 TUNDRA Crew Max)

INSTALLATION INSTRUCTIONS

CONTENTS

- (1) LH Drop Step
- (1) RH Drop Step
- (1) LH Front Bracket
- (1) RH Front Bracket
- (1) LH Center Bracket
- (1) RH Center Bracket
- (2) LH Rear Brackets
- (2) RH Rear Brackets
- (16) M8 x 30mm Hex Bolts
- (16) M8 x 24mm OD x 2mm Flat Washers
- (16) M8 Lock Washers
- (16) M8 x 25mm Combo Bolts

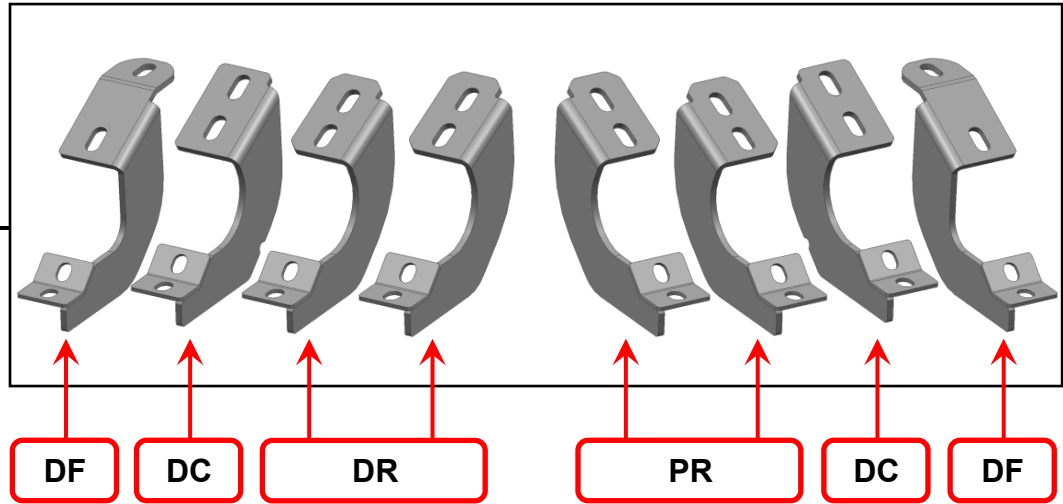
TOOLS REQUIRED

- 13mm Wrench/Socket
- Ratchet

SKU # TU44322

Edited: 08/21/2024

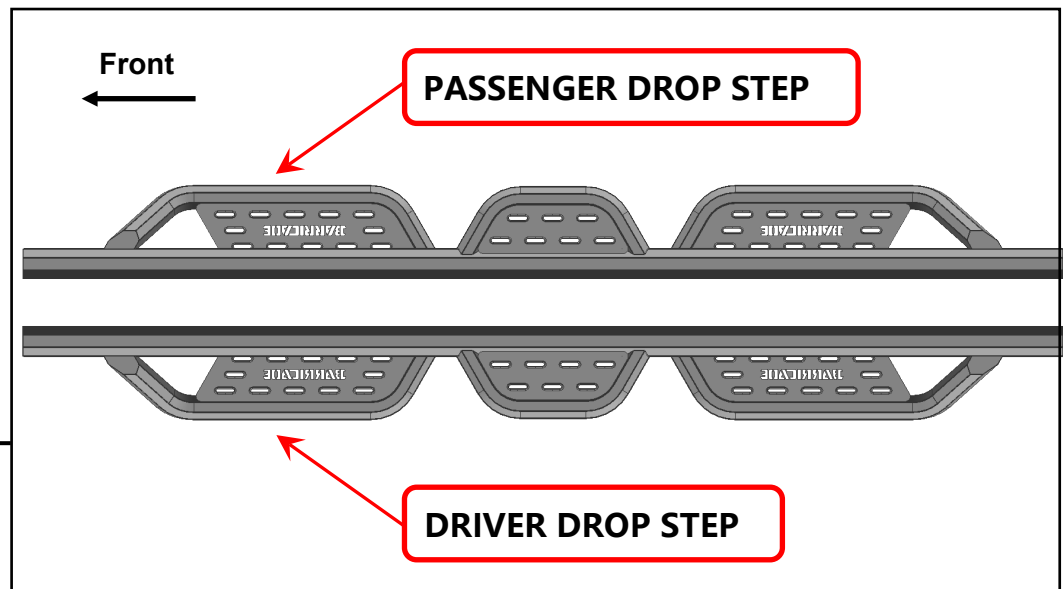
STEP 1



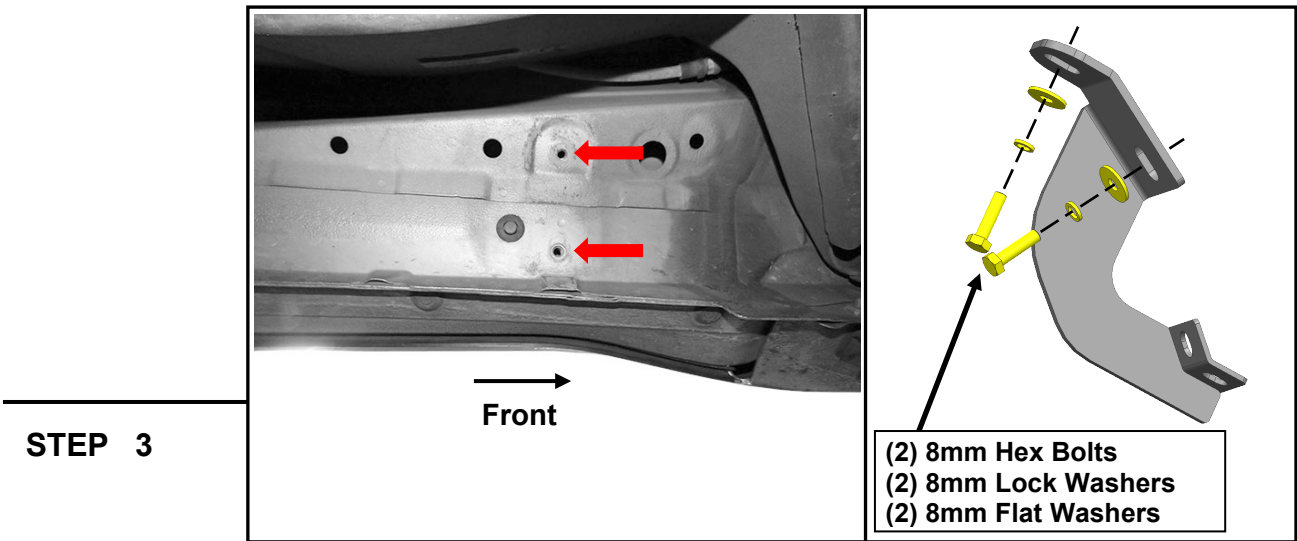
Please identify each mounting bracket using the engraved location identifier. **Notice: The center bracket have a notch on the back .The rear bracket per side are interchangeable.**

- | | |
|-------------------|----------------------|
| DF: Driver Front | PF: Passenger Front |
| DC: Driver Center | PC: Passenger Center |
| DR: Driver Rear | PR: Passenger Rear |
| DR: Driver Rear | PR: Passenger Rear |

STEP 2

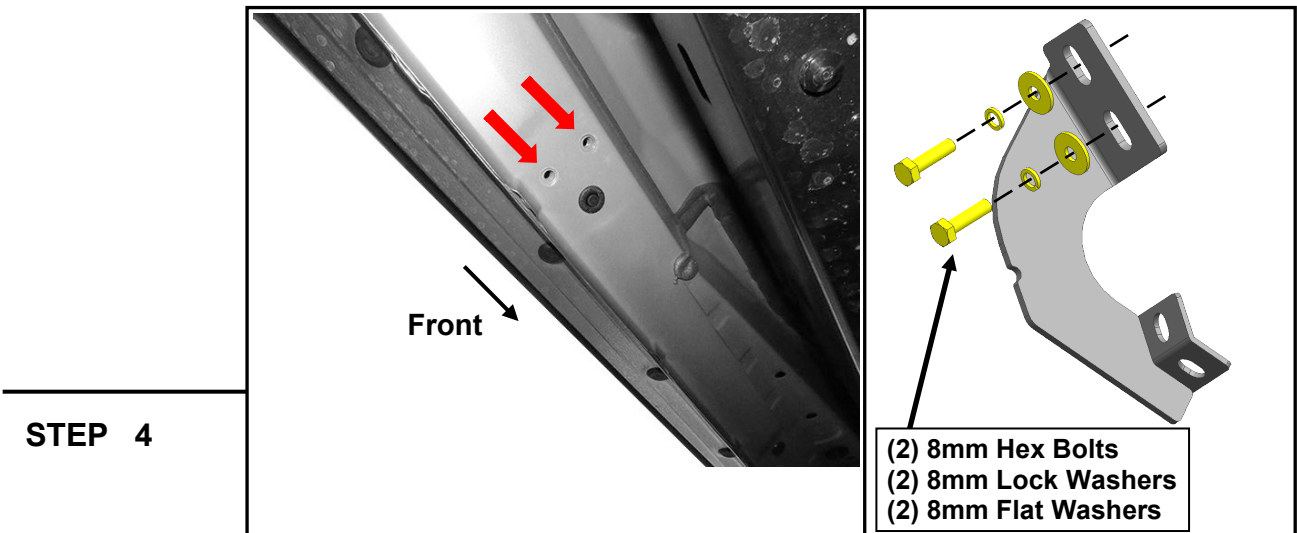


Identify each drop step by identifier on the front. **Notice: "D" for Driver/Left Side; "P" for Passenger/Right Side.**



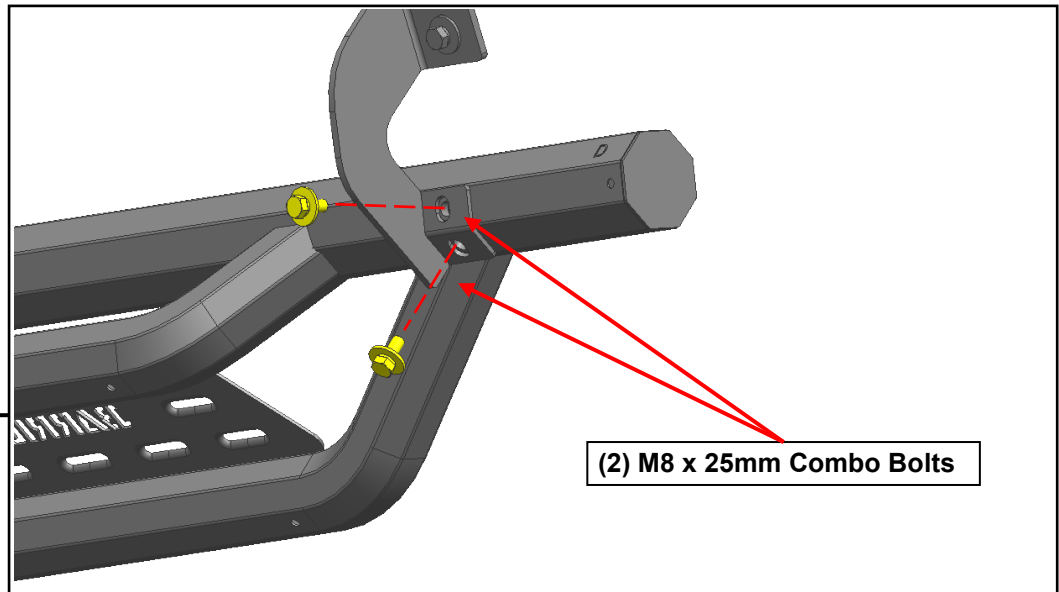
Start installation toward the front of the Driver/Left side of the vehicle.

Loosely fit the (1) Driver Front bracket to the vehicle threaded body hole using (2) M8 x 30mm bolts, (2) M8 lock washers, and (2) M8 flat washers. Do not fully tighten to allow for later adjustments.



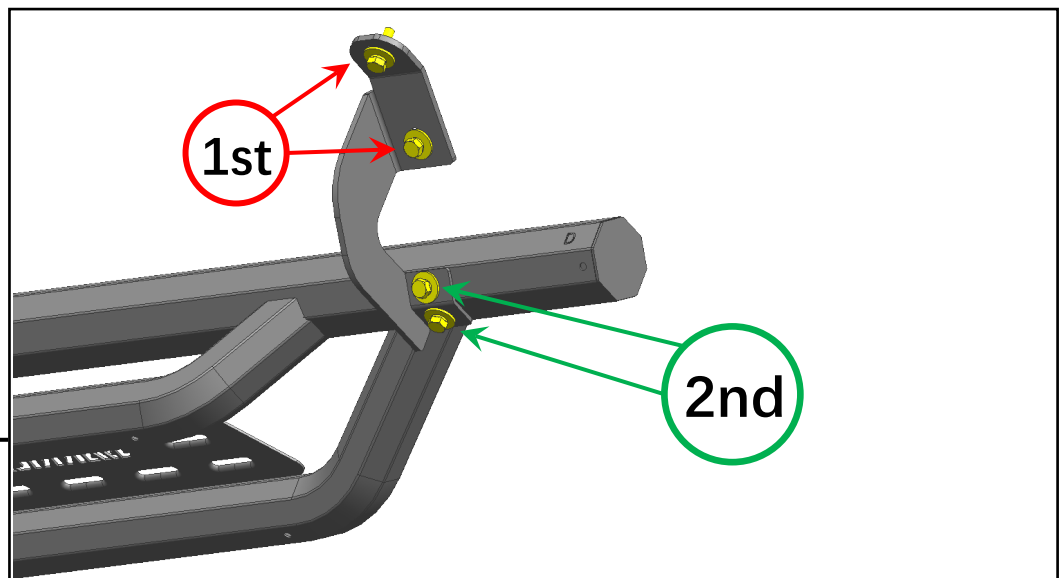
Loosely fit the (1) Driver Center bracket to the vehicle threaded body hole using (2) M8 x 30mm bolts, (2) M8 lock washers, and (2) M8 flat washers. Do not fully tighten to allow for later adjustments. Repeat this step for all Driver Rear brackets.

STEP 5



With all brackets loosely mounted to the vehicle, fit the Drop Step onto the brackets, and loosely secure into place using (8) M8 x 25mm combo bolts.

STEP 6



Tighten the mounting brackets to the vehicle. Adjust the Drop Step to the desired angle, and tighten the M8 combo bolts to secure the step into place. See photo for tightening order visual.

Repeat steps 1-6 for the remaining Drop Step.

Installation is now complete.