



ADVENTURE
FURTHER®

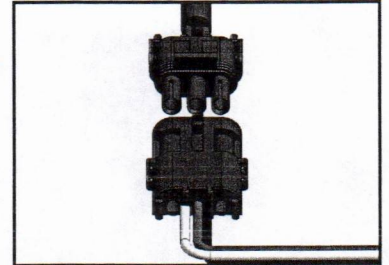
#56-00037-01 INSTRUCTION MANUAL
3-POS METRIPACK 280, 50A FUSED, 80A RLY, SWITCH HARNESS
HARNESS KITS: 59-00138-02, TITAN LED LIGHT BAR

INSTALLATION INSTRUCTIONS

IMPORTANT: Please read all instructions before beginning installation. These guidelines are provided in good faith to help prevent any issues arising from errors during installation. The manufacturer of this product shall not be held responsible for any user actions taken or not taken during installation. There are many details of the installation that are assumed to be general mechanical knowledge to experienced installers; which are not detailed in these instructions. These installation guidelines are intended to serve as professional recommendations and are not as a step-by-step, fail-safe installation checklist. Selection of an experienced installer is the sole responsibility of the project owner.

1. Pre-Installation of Harness & Lights

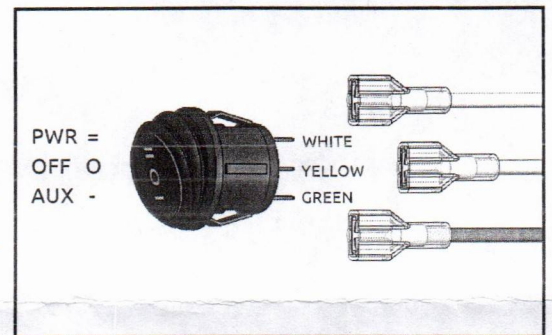
- After choosing the light location, loosely install the lights before installing harness.
- Pre-assemble the Switch Harness to the Light Harness Extension.



2. Wiring Your Lights: ****Before starting, remove in line fuse & relay for safety****

- Begin by routing the assembled harness from the battery (or power source), away from any moving parts and connect the Leads to the lights.

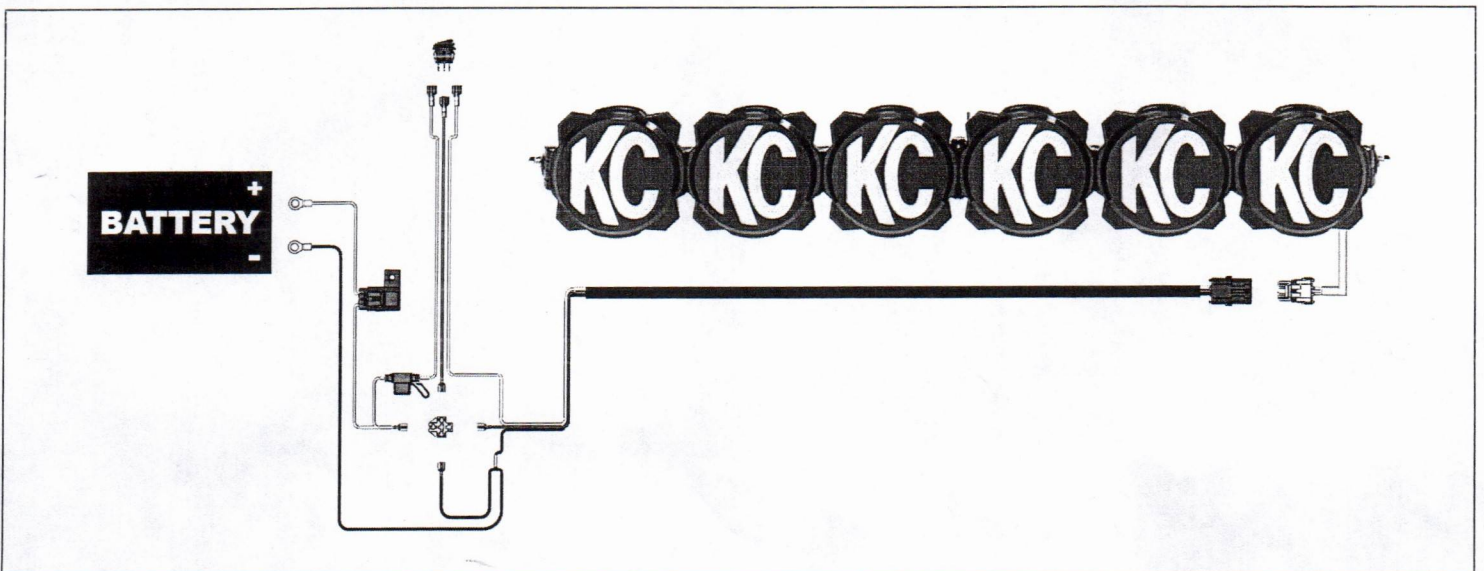
- Route the three switch leads (spade connectors) toward the desired switch location. To install the switch, drill a 3/4" hole in the desired location to press the switch into. (**Note:** Do not install switch until you have the switch wires routed to the switch location, and then attach the switch wires accordingly before pressing the switch into the mounting hole). Connect the switch wires as follows: **WHITE** to Terminal-3 behind (=) indicator on switch, **YELLOW** to Terminal-2 (center), and **GREEN** to Terminal-1 behind (-) indicator on switch.



- Mount the Relay close to the battery with blades facing down (sheet metal screw provided). Connect the Yellow Power lead (with ring terminal) to the (+) Positive side of the battery. Connect the Black Ground lead (with ring terminal) to the (-) Negative side of the battery or chassis ground.

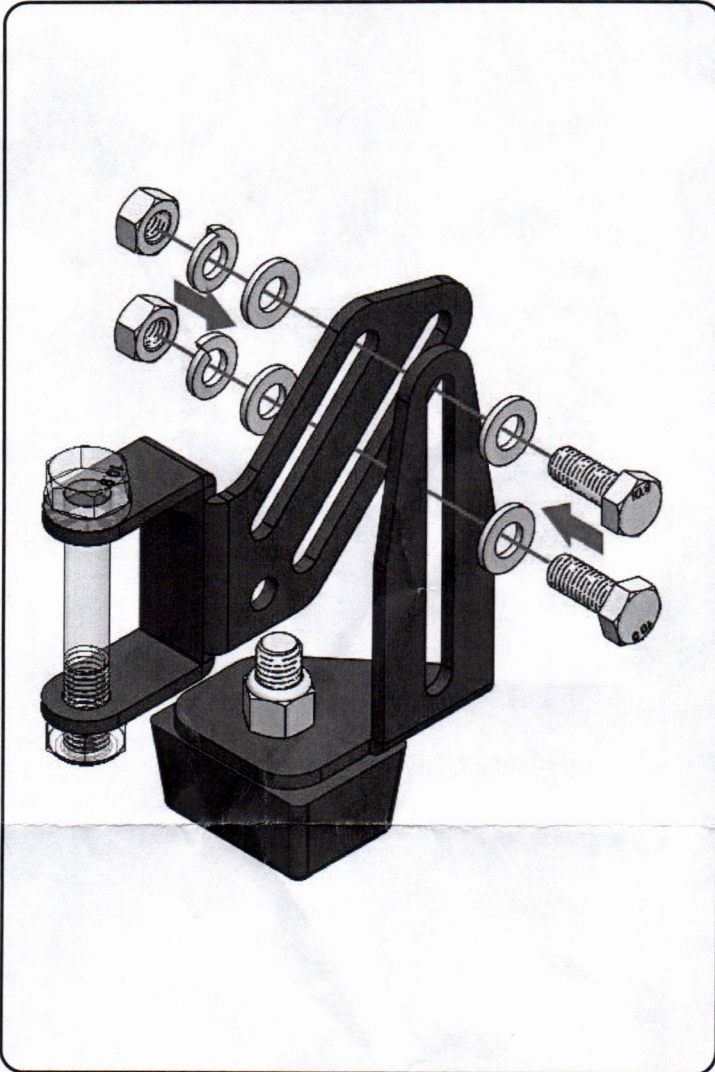
3. Connect & Test:

- After the harness has been secured and the Power & Ground properly connected. Re-install the removed fuses and the relay. Test the lights by toggling both Low (-) and High (=) on the Rocker Switch.

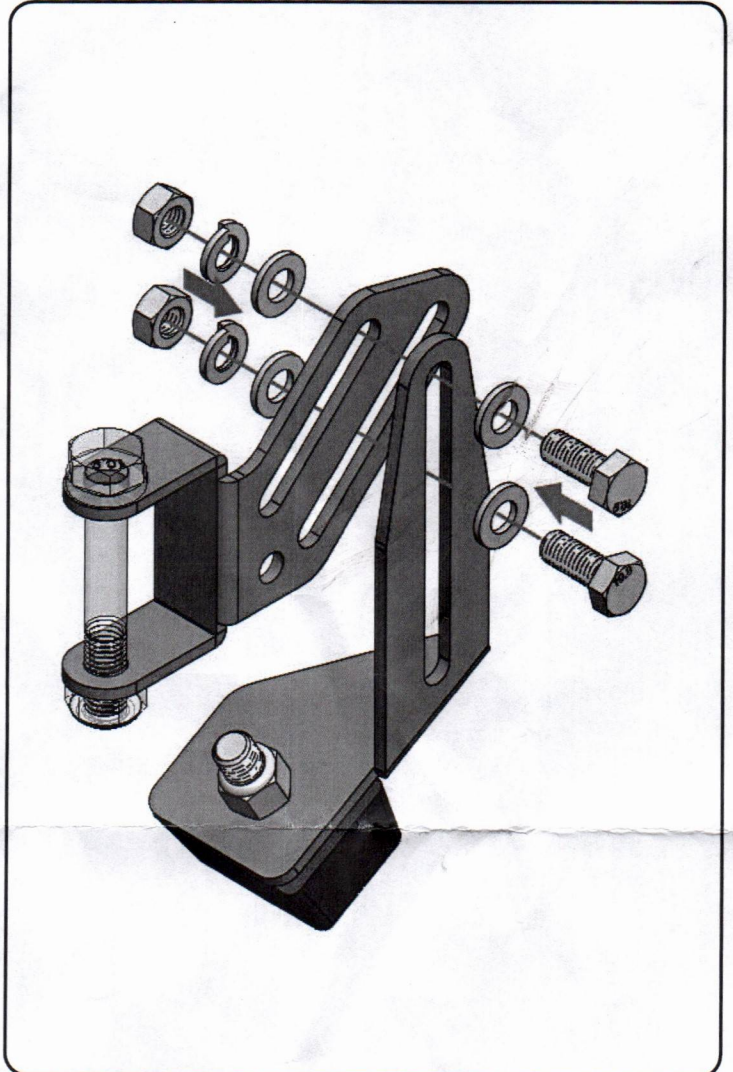


GRAVITY LIGHT BAR: BUMPSTOP INSTALLATION

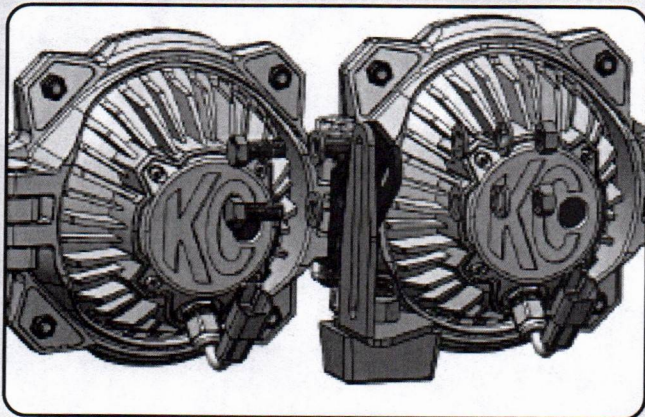
90° - BUMPSTOP ASSEMBLY



45° - BUMPSTOP ASSEMBLY



INSTALLATION STEPS



**DON'T FORGET TO USE:
PAINT PROTECTIVE FILM**

