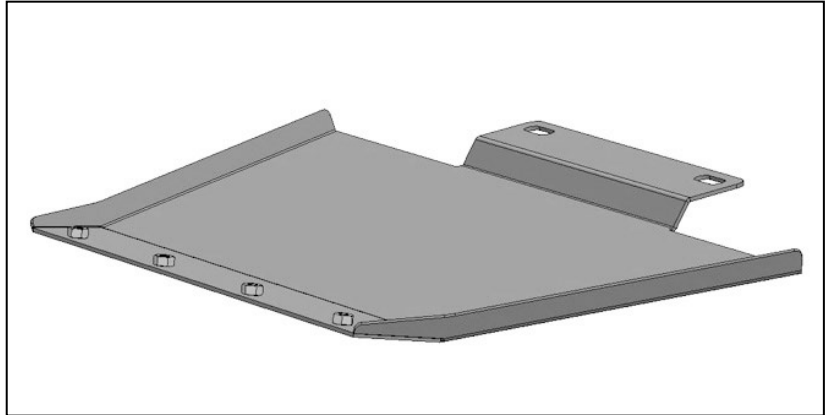


PARTS LIST: TU33468

| | |
|---|-----------------------------------|
| 1 | Skid Plate |
| 4 | 8-1.25mm x 25mm Button Head Bolts |
| 2 | 8-1.25mm x 30mm Hex Bolts |
| 6 | 8mm x 24mm x 2mm Flat Washers |
| 6 | 8mm Lock Washers |
| 1 | 5mm Hex Wrench |

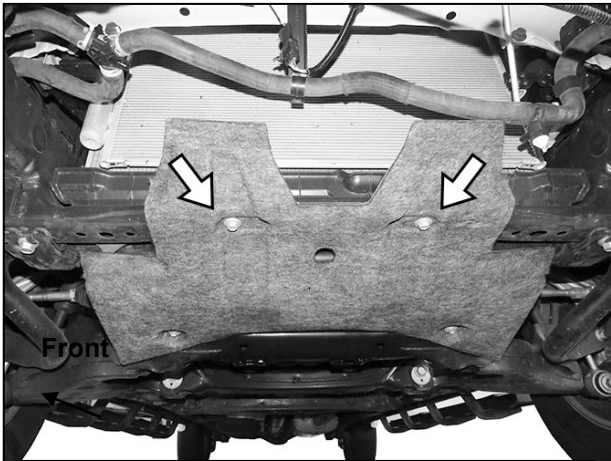
**PROCEDURE:**

REMOVE CONTENTS FROM BOX. VERIFY ALL PARTS ARE PRESENT. READ INSTRUCTIONS CAREFULLY BEFORE STARTING INSTALLATION. ASSISTANCE IS RECOMMENDED.

1. Remove the (2) factory hex bolts attaching the front of the splash guard or skid plate if equipped.
2. Carefully unwrap the Skid Plate. With assistance, line up the front of the Skid Plate with the back of the Bumper. Attach the Skid Plate to the Bumper with the included (4) 8mm Button Head Bolts, (4) 8mm Lock Washers and (4) 8mm Flat Washers, **(Figure 1)**. Leave hardware loose at this time.
3. Attach the rear mounts on the Skid Plate to the threaded holes in the crossmember with the included (2) 8mm x 30mm Hex Bolts, (2) 8mm Lock Washers and (2) 8mm Flat Washers, **(Figures 2—4)**.
4. Models with splash guard, attach Skid Plate over the splash guard.
5. Models with factory skid plate, insert Skid Plate between the factory skid plate and bottom of the frame.
6. Level and adjust the Skid Plate and fully tighten all hardware.
7. Do periodic inspections to the installation to make sure that all hardware is secure and tight.

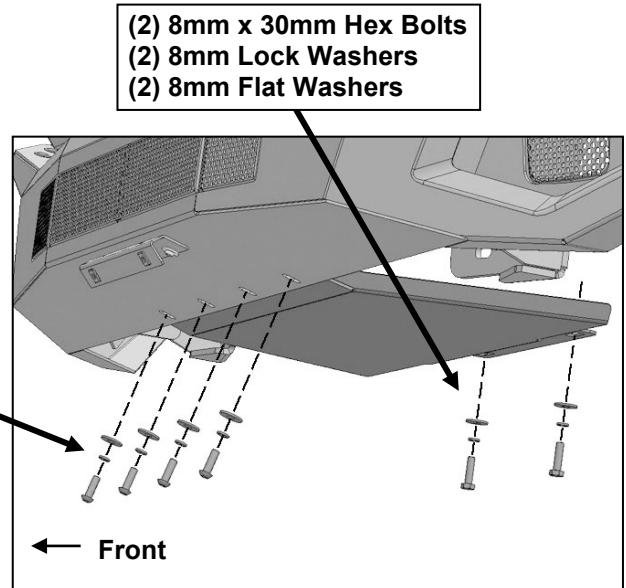
To protect your investment, Do not use any type of polish or wax that may contain abrasives that could damage the finish. Mild soap may be used to clean the Skid Plate assembly.

Driver/left Side Installation Pictured



(Fig 1) Remove hex bolts attaching front of splash guard or factory skid plate (arrows)

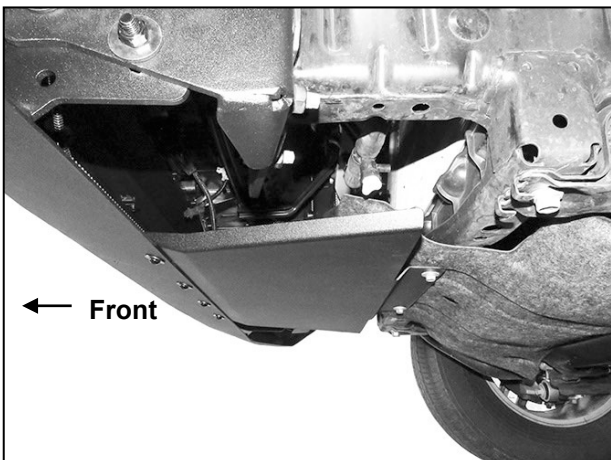
- (4) 8mm x 25mm Button Head Bolts**
- (4) 8mm Lock Washers**
- (4) 8mm Flat Washers**



(Fig 2) Attach front of Skid Plate to back of Bumper. Attach rear of Skid Plate to crossmember.

NOTE:
Models with splash guard, attach Skid Plate over splash guard.

Models with factory skid plate, insert Skid Plate between factory skid plate and crossmember



(Fig 3) Skid Plate installed over splash guard