



TUBULAR DROP STEPS

(2022-2023+ TUNDRA CREWMAX)

INSTALLATION INSTRUCTIONS

CONTENTS

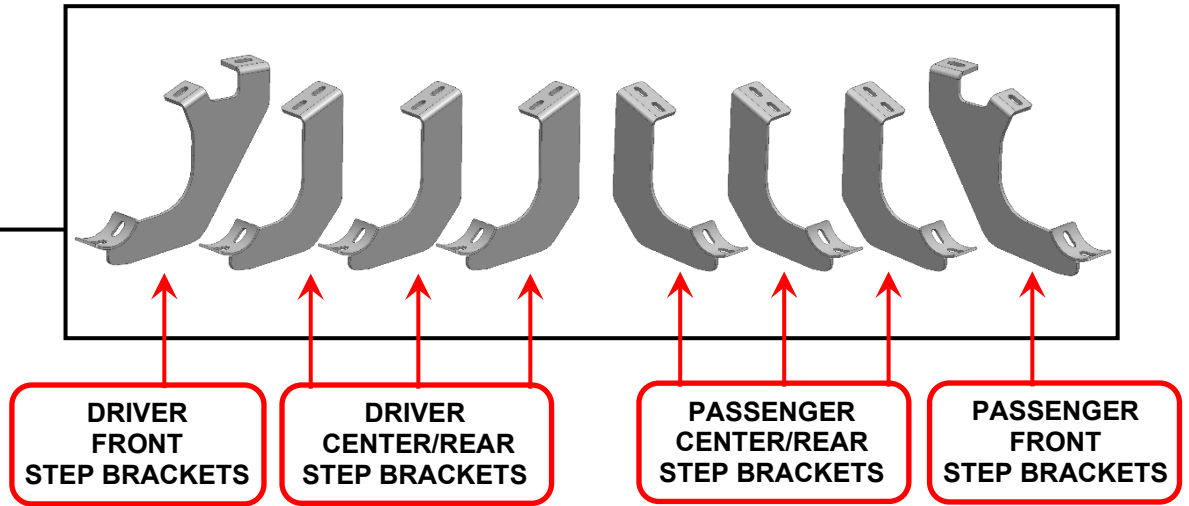
- (1) LH Side Step
- (1) RH Side Step
- (1) LH Front Step Brackets
- (1) RH Front Step Brackets
- (3) LH Center/Rear Step Brackets
- (3) RH Center/Rear Step Brackets
- (16) M8 x 30mm Hex Bolts
- (16) M8 x 24mm OD x 2mm Flat Washers
- (16) M8 Lock Washers
- (16) M8 x 25mm Combo Bolts

TOOLS REQUIRED

- 13mm Socket/Wrench
- Ratchet

SKU # TU32317
Edited: 08/25/2023

STEP 1

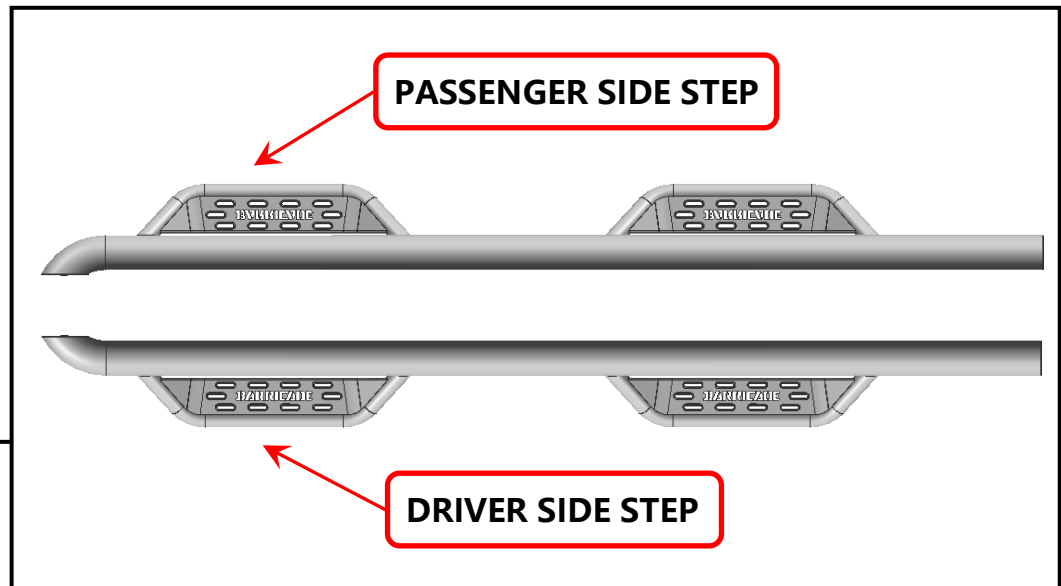


Identify each mounting bracket using the engraved location identifier. **Notice: The center bracket and rear bracket per side are interchangeable.**

DF: Driver Front
DC: Driver Center
DR: Driver Rear

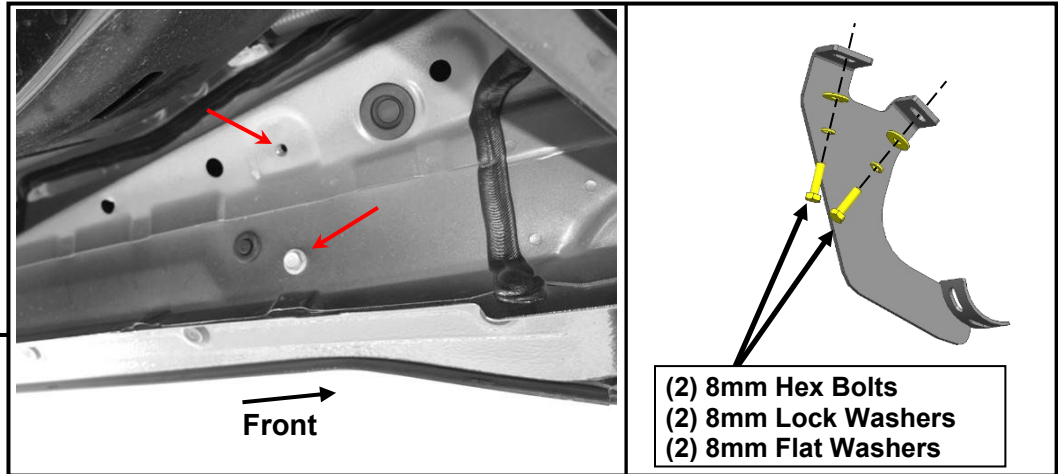
PF: Passenger Front
PC: Passenger Center
PR: Passenger Rear

STEP 2



Identify each side step by the curved portion of the step.

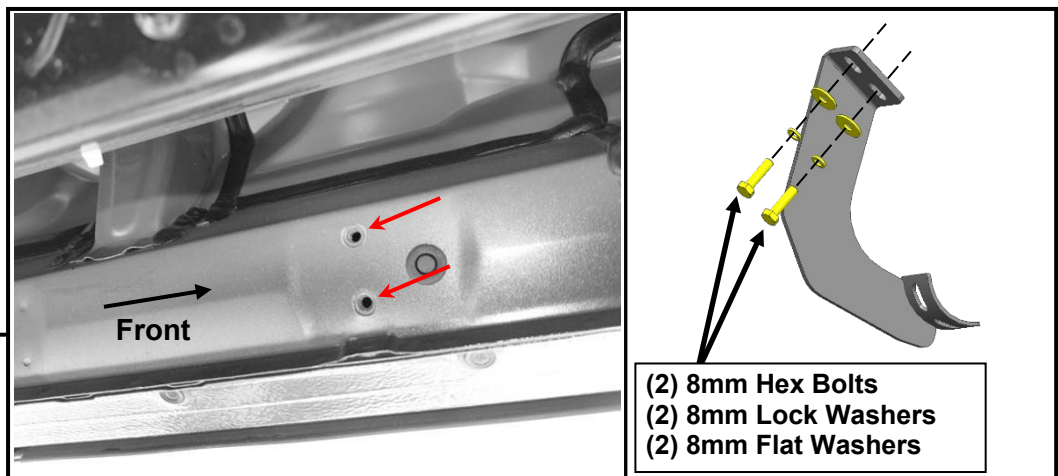
STEP 3



Start installation toward the front of the Driver/Left side of the vehicle.

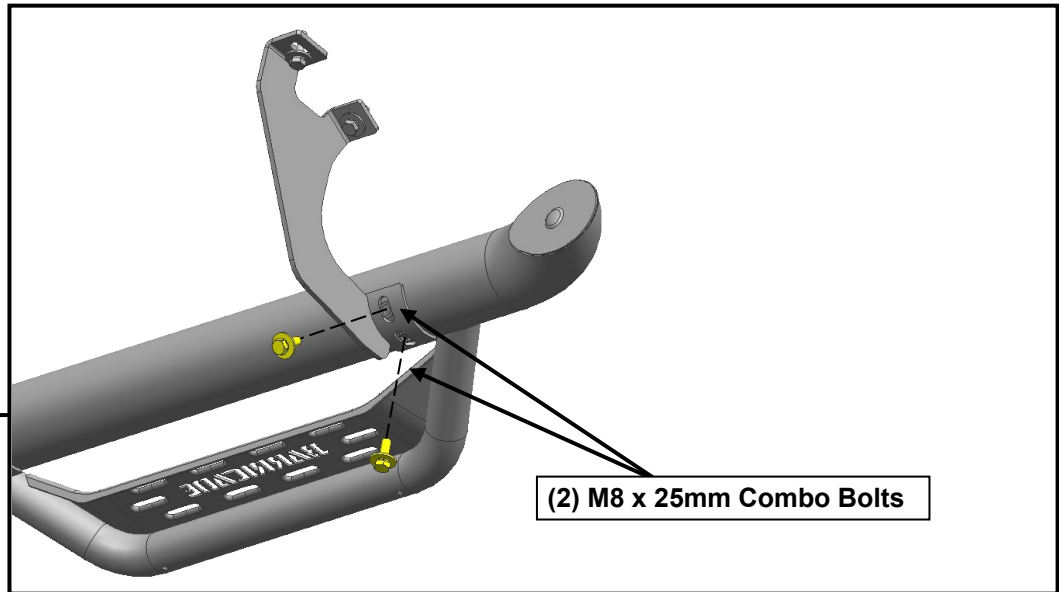
Loosely fit the (1) Driver Front step bracket to the vehicle threaded body hole using (2) M8 x 30mm bolt, (2) M8 lock washer, and (2) M8 flat washer. Do not fully tighten to allow for later adjustments.

STEP 4



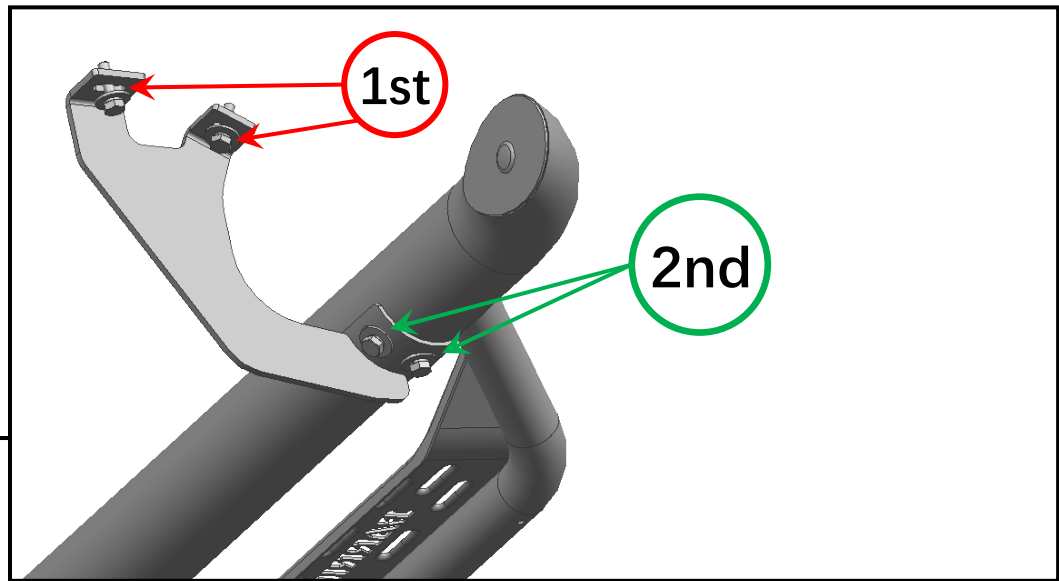
Loosely fit the (1) Driver Center/Rear step bracket to the vehicle threaded body hole using (2) M8 x 30mm bolt, (2) M8 lock washer, and (2) M8 flat washer. Do not fully tighten to allow for later adjustments. Repeat this step for all Driver Center/Rear step brackets.

STEP 5



With all brackets loosely mounted to the vehicle, fit the side step onto the brackets, and loosely secure into place using (8) M8 x 25mm combo bolts.

STEP 6



Tighten the mounting brackets to the vehicle. Adjust the side step to the desired angle, and tighten the M8 combo bolts to secure the step into place. See photo for tightening order visual.

Repeat steps 1-6 for the remaining side step.

Installation is now complete.