



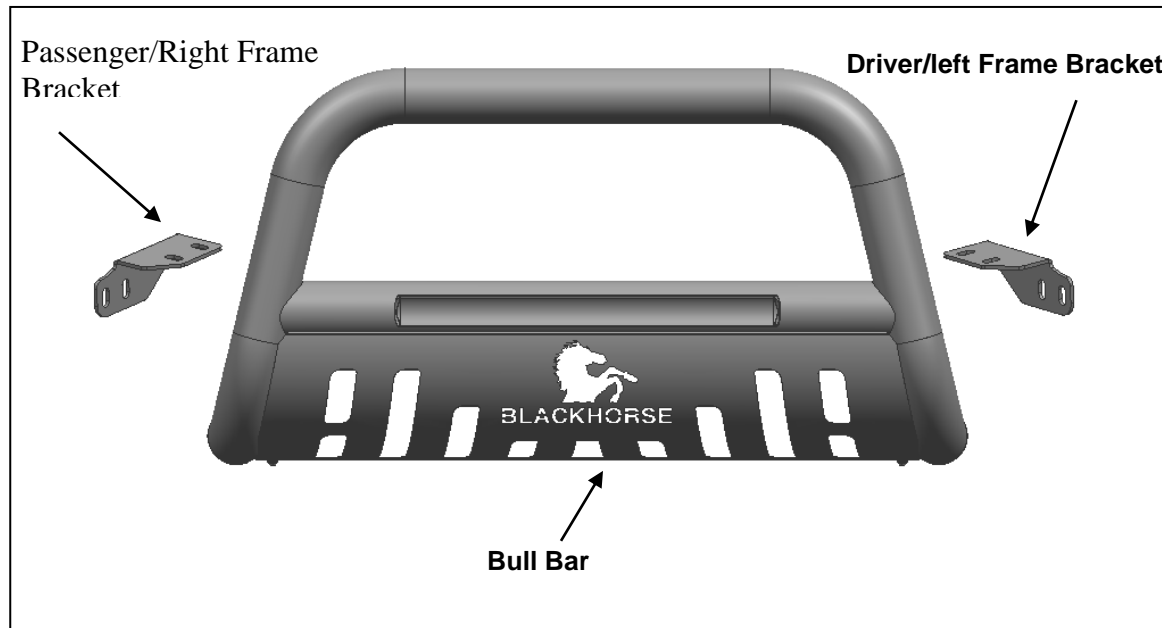
**TEL: 1-866-XANATOS**

## **INSTALLATION INSTRUCTIONS**

**3" BEACON BULL BAR  
2007-2021 TOYOTA TUNDRA  
PART# BE-TOTUB/BE-TOTUS**

**PARTS LIST:**

1	Bull Bar	4	12mm Nylon Lock Nuts
1	Driver/Left Frame Bracket	8	12mm x 32mm x 3mm Flat Washers
1	Passenger/Right Frame Bracket	1	20inch LED Single Row Light
4	12mm x 30mm Hex Bolts		



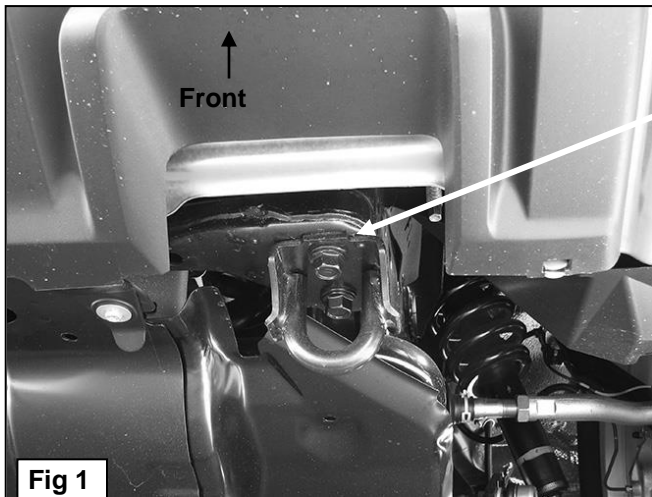
**PROCEDURE:**

**REMOVE CONTENTS FROM BOX. VERIFY ALL PARTS ARE PRESENT. READ INSTRUCTIONS CAREFULLY BEFORE STARTING INSTALLATION. INSTALLATION MAY INTERFERE WITH FRONT MOUNTED SENSORS.**

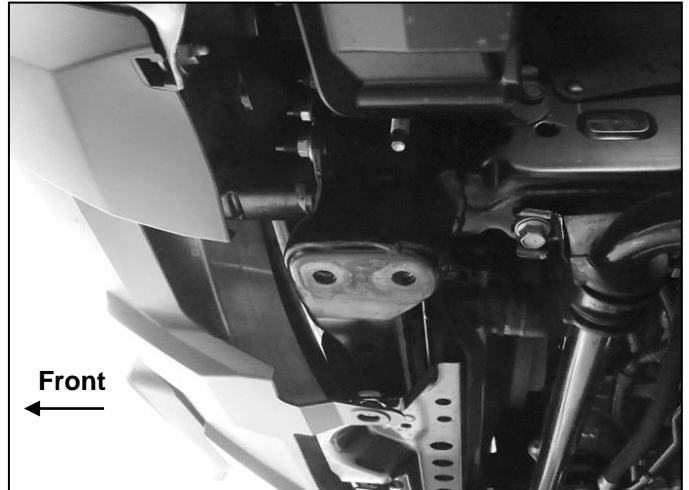
1. Start installation at the driver front side of the vehicle. Remove the tow hook, **(Figures 1 & 2)**.
2. Select the driver side Frame Bracket, Check the fit between the tow hook and the Bracket for reinstallation over the Bracket. **NOTE:** Some factory tow hooks may not clear the Bracket and cannot be reinstalled. Check for fit before bolting tow hook and Bracket in place.
3. Attach the Bracket to the underside of the frame channel reusing the factory tow hook bolts, either with or without the tow hook, **(Figures 3)**. Do not fully tighten hardware at this time.
4. Repeat **STEP 1-3** for passenger side Frame Bracket installation
5. **LED Light Installation**
  - a. Use (2) 6mm Socket Head Cap Screw, (2) 6mm Lock Washers and (2) 6mm Flat Washers to attach the Light Bar Brackets to the Bull Bar, **(Figure 4)**.
  - b. Follow the light manufacturer's instructions to attach the Bull Bar.
  - c. Follow light manufacturer's instructions to properly wire the Bull Bar
6. With assistance, hold the Bull Bar up in position on the outside of the Mounting Brackets. Bolt the Bull Bar to the Brackets with (2) 12mm x 30mm Hex Bolts, (4) 12mm Flat Washers and (2) 12mm Nylon Lock Nuts, **(Figure 5)**. Do not tighten hardware at this time.
7. Repeat **Steps 6** for passenger side Frame and Bull Bar Bracket installation.
8. Level and adjust the Bull Bar properly and tighten all hardware.
9. Do periodic inspections to the installation to make sure that all hardware is secure and tight.

**To protect your investment,** wax this product after installing. Regular waxing is recommended to add a protective layer over the finish. Do not use any type of polish or wax that may contain abrasives that could damage the finish. Mild soap may be used to clean the Bull Bar.

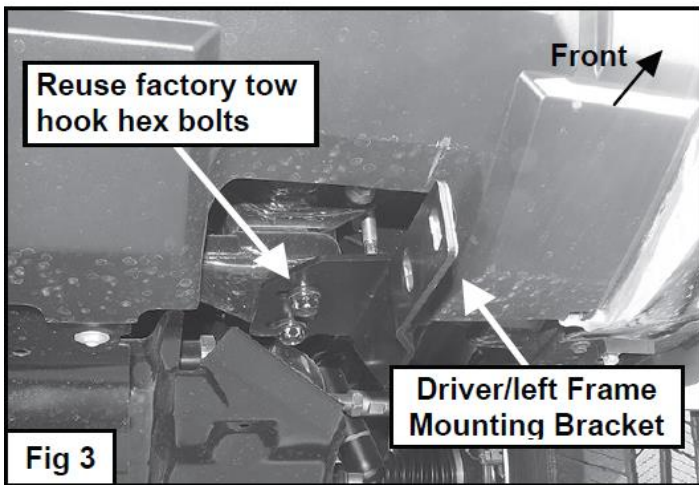
### Driver/Left Side Installation Pictured



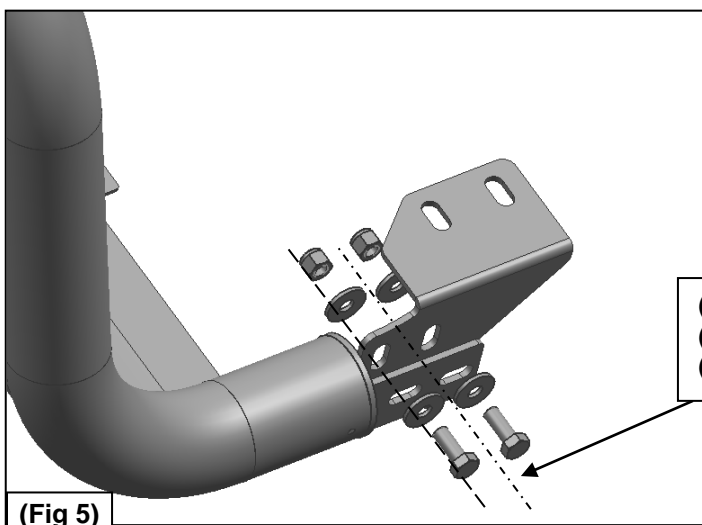
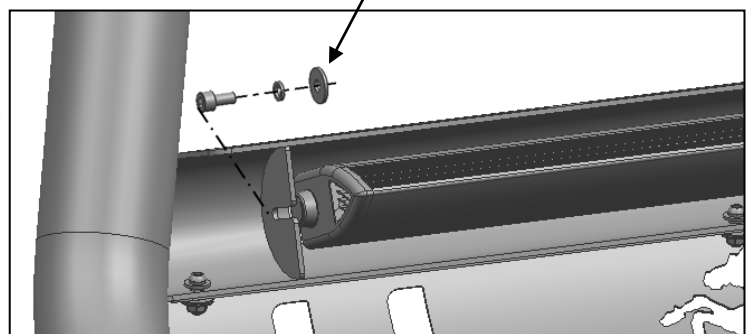
Remove (2) factory hex bolts to remove tow hook. Small tow hook pictured



(Fig 2) Driver side tow hook mounting location



- (1) 6mm Socket Head Cap Screw
- (1) 6mm Lock Washer
- (1) 6mm x 18mm OD x 1.6mm Flat Washers



- (2) 12mm x 30mm Hex Bolts
- (4) 12mm x 32mm x 3mm Flat Washers
- (2) 12mm Nylon Lock Nuts