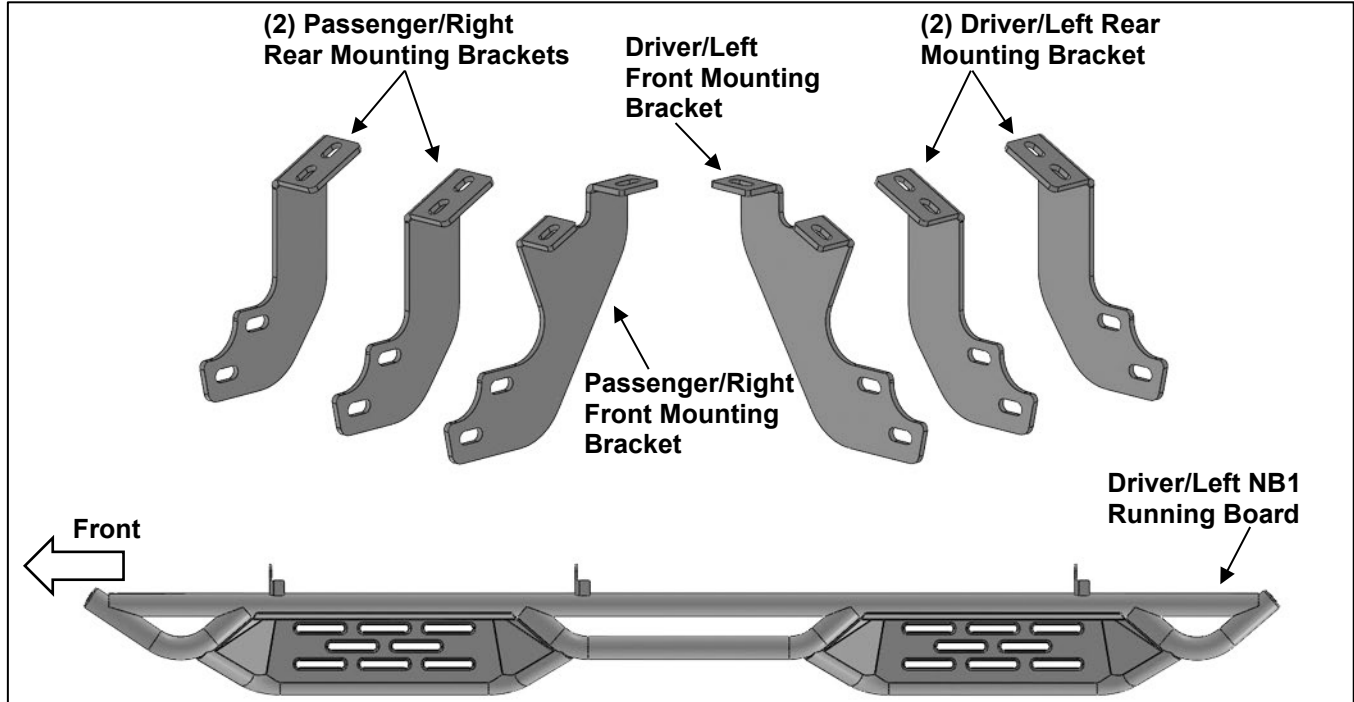


PARTS LIST: TU21697

1	Driver/Left NB1 Running Board	12	10mm x 35mm Hex Bolts
1	Passenger/Right NB1 Running Board	24	10mm x 27mm OD x 3mm Flat Washers
1	Driver/Left Front Mounting Bracket	12	10mm Nylon Lock Nuts
1	Passenger/Right Front Mounting Bracket	12	8mmx 30mm Hex Bolts
2	Driver/Left Rear Mounting Brackets	12	8mm Lock Washers
2	Passenger/Right Rear Mounting Brackets	12	8mm x 24mm OD x 2mm Flat Washers



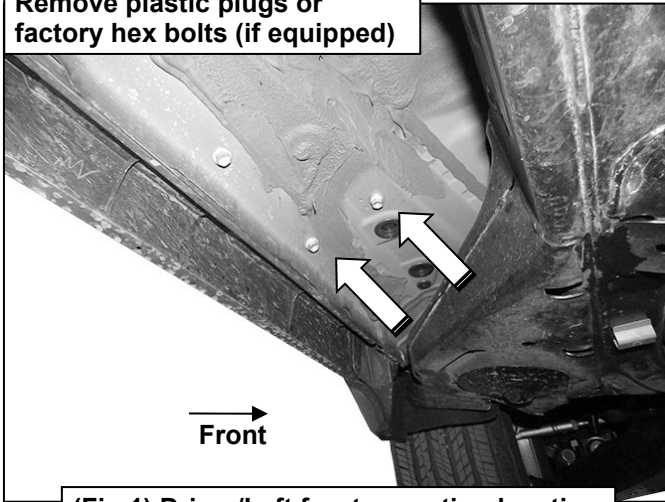
PROCEDURE:

1. REMOVE CONTENTS FROM BOX. VERIFY ALL PARTS ARE PRESENT. READ INSTRUCTIONS CAREFULLY. USE ILLUSTRATION TO IDENTIFY BRACKETS AND SIDE STEPS.
2. Starting on the Driver/Left front of the vehicle, remove the plastic plugs or hex bolts covering the (2) threaded holes in the floor panel, **(Figure 1)**.
3. Select Driver/Left Front Mounting Bracket, **(Figure 2)**. Attach the Bracket to the panel with (2) 8mm Hex Bolts, (2) 8mm Lock Washers and (2) 8mm Flat Washers, **(Figure 2)**. Do not tighten hardware.
4. Next, move to the second mounting location, **(Figure 3)**. Select (1) Driver/Left Rear Mounting Bracket. Repeat **Step 3** to attach the Bracket to the floor panel, **(Figure 4)**.
5. Continue to the rear mounting location, **(Figure 5)**. Repeat **Step 3** to attach (1) Driver/Left Rear Mounting Bracket to the floor panel.
6. Select the Driver/Left Running Board. With assistance, line up the slots on the mounting tabs on the Running Board to the slots in the rear faces of the (3) Mounting Brackets. Attach the Running Board to the (3) Mounting Brackets with (6) 10mm Flat Washers, (12) 10mm Flat Washers and (6) 10mm Nylon Lock Nuts, **(Figure 6)**. Do not tighten hardware.
7. Level and adjust the Running Board as necessary and fully tighten all hardware.
8. Repeat **Steps 2—7** to attach the Passenger/Right Running Board.
9. Do periodic inspections to the installation to make sure that all hardware is secure and tight.

To protect your investment, Do not use any type of polish or wax that may contain abrasives that could damage the finish. Mild soap may be used to clean the Running Boards.

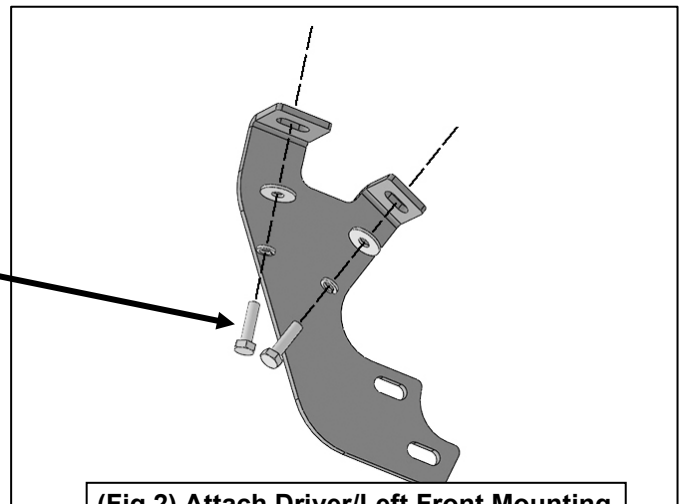
Driver/Left Side Installation Pictured

Remove plastic plugs or
factory hex bolts (if equipped)

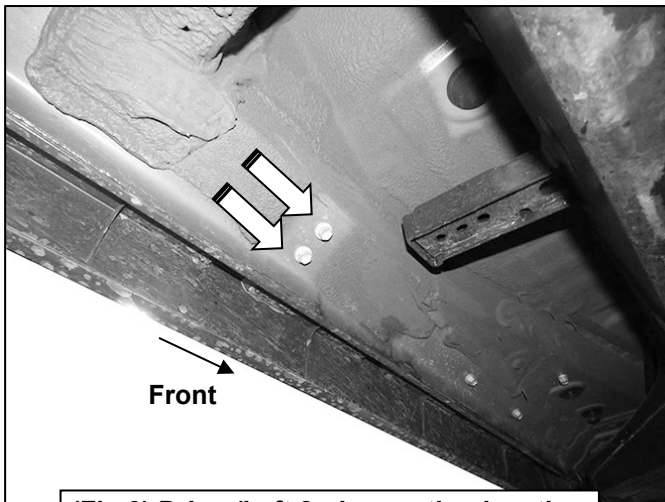


(Fig 1) Driver/Left front mounting location

- (2) 8mm Hex Bolts
- (2) 8mm Lock Washers
- (2) 8mm Flat Washers



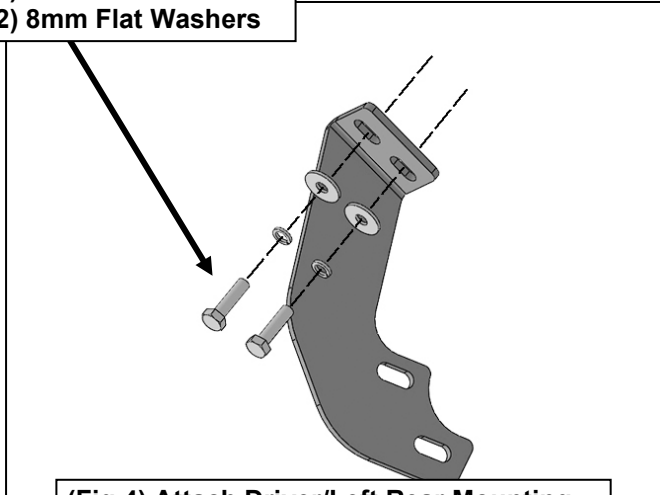
(Fig 2) Attach Driver/Left Front Mounting Bracket to the floor panel



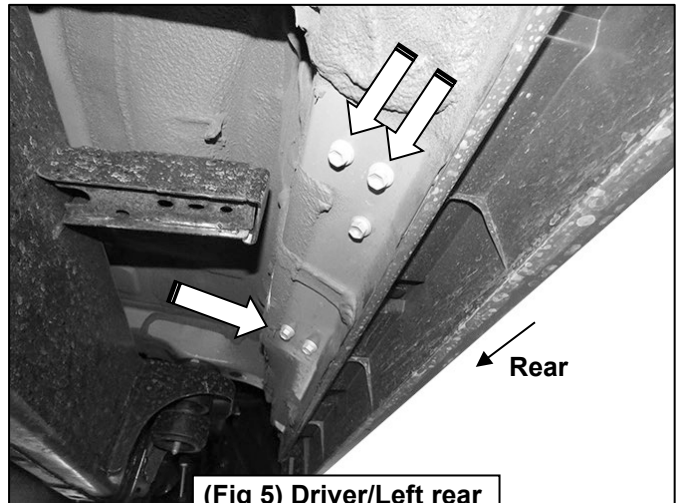
(Fig 3) Driver/Left 2nd mounting location

Driver/Left Side Installation Pictured

- (2) 8mm Hex Bolts
- (2) 8mm Lock Washers
- (2) 8mm Flat Washers

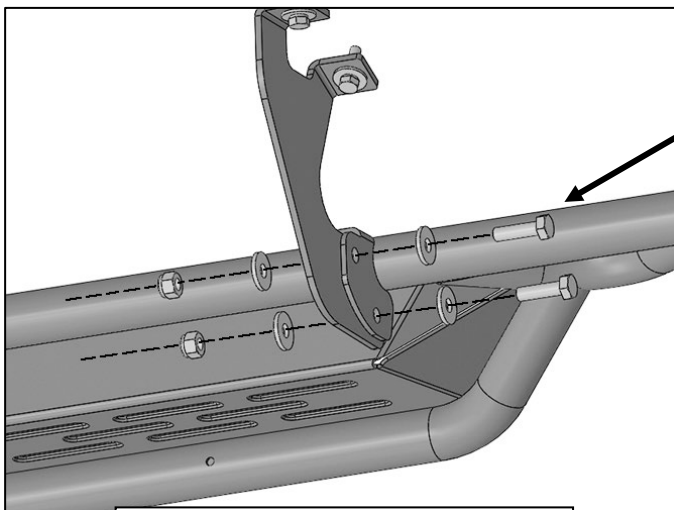


(Fig 4) Attach Driver/Left Rear Mounting Bracket to the floor panel



(Fig 5) Driver/Left rear mounting locations

- (2) 10mm Hex Bolts
- (4) 10mm Flat Washers
- (2) 10mm Nylon Lock Nuts



(Fig 6) Attach Driver/Left Running Board to the Mounting Brackets