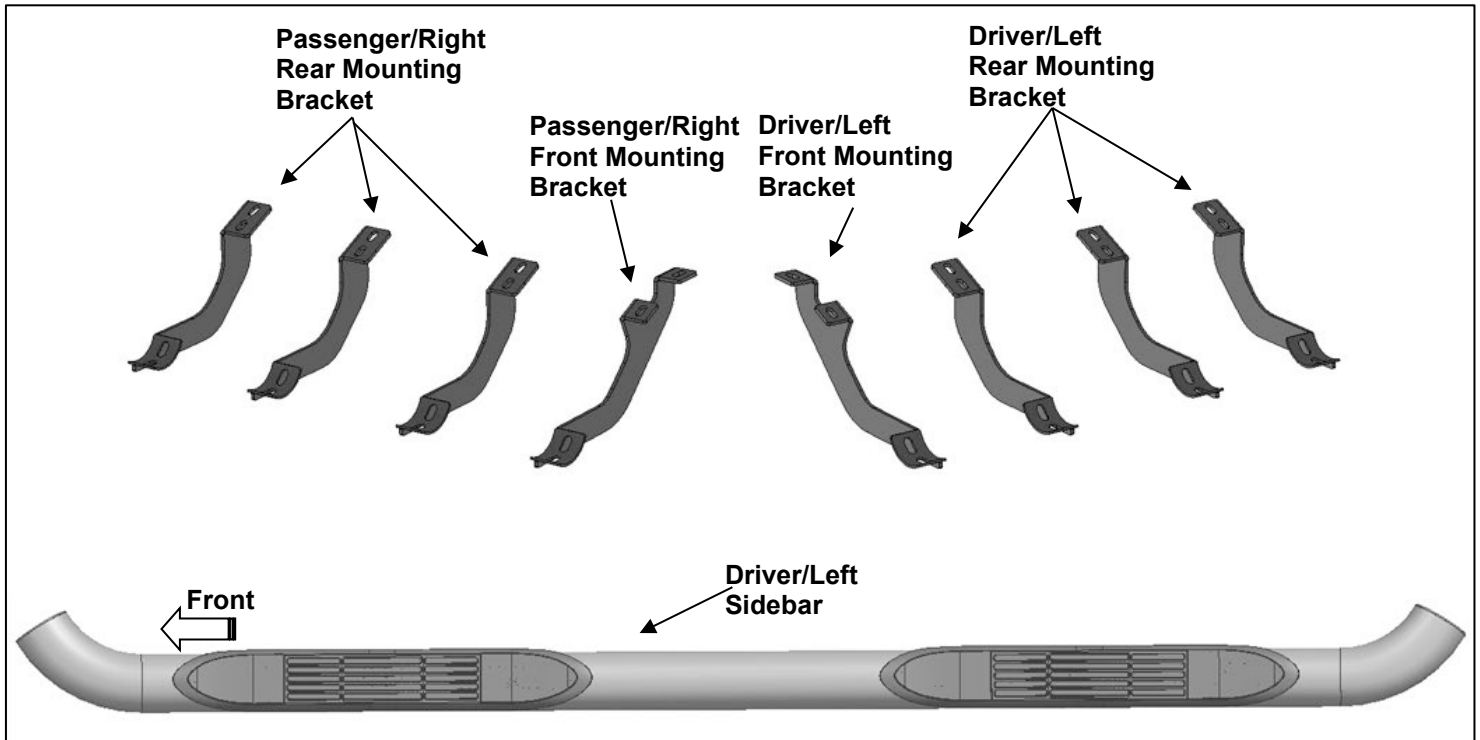


## PARTS LIST: TU21213 TU21214

1	Driver Sidebar	3	Passenger/Right Rear Mounting Brackets
1	Passenger Sidebar	16	8mm x 30mm Hex Bolts
1	Driver/Left Front Mounting Bracket	16	8mm Lock Washers
1	Passenger/Right Front Mounting Bracket	16	8mm x 24mm OD x 2mm Flat Washers
3	Driver/Left Rear Mounting Brackets	16	8mm x 25mm Combo Bolts



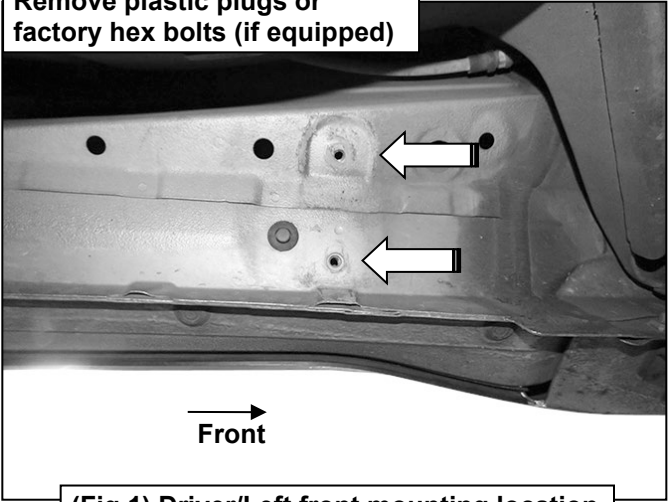
### PROCEDURE:

1. REMOVE CONTENTS FROM BOX. VERIFY ALL PARTS ARE PRESENT. READ INSTRUCTIONS CAREFULLY. USE ILLUSTRATION TO IDENTIFY BRACKETS AND RUNNING BOARDS.
2. Starting on the Driver/Left front of the vehicle, remove the plastic plugs or hex bolts covering the (2) threaded holes in the floor panel, (**Figure 1**).
3. Select (1) Front Mounting Bracket, (**Figure 2**). Attach the Bracket to the mounting location with (2) 8mm Hex Bolts, (2) 8mm Lock Washers and (2) 8mm Flat Washers, (**Figure 3**). Do not tighten hardware.
4. Select (1) Rear Mounting Bracket. Repeat **Step 3** to attach the Bracket to the mounting location shown in images below, (**Figures 3&4**).
5. Continue to the rear mounting locations, (**Figures 5 & 6**). Repeat **Step 3** to attach (1) Rear Mounting Bracket each to the 3rd and 4th mounting locations.
6. Select the Driver/Left 3inch Sidebar. Attach the Sidebar to the Mounting Brackets with (8) 8mm Combo Bolts, (**Figure 7**). **IMPORTANT:** Do not slide the Sidebar, (forward or backward or rotate), on the Brackets or damage to the finish on the Sidebar may result. Do not tighten hardware.
7. Level and adjust the 3inch Sidebar and tighten all hardware.
8. Repeat **Steps 2—7** to attach the Passenger/Right 3inch Sidebar.
9. Do periodic inspections to the installation to make sure that all hardware is secure and tight.

**To protect your investment,** Do not use any type of polish or wax that may contain abrasives that could damage the finish. Mild soap may be used to clean the Sidebars.

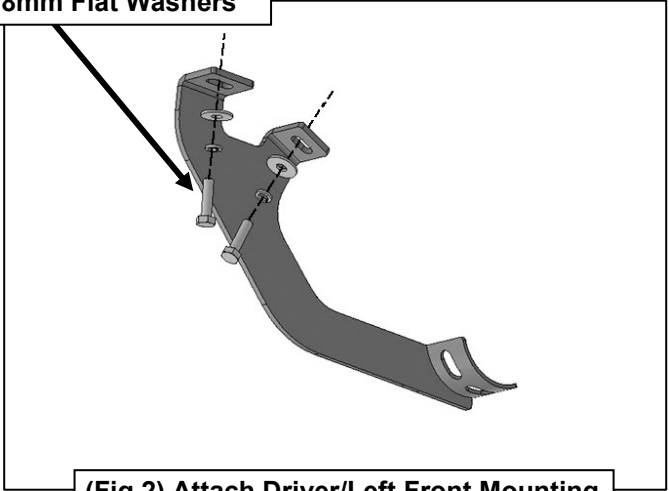
**Driver/Left Side Installation Pictured**

Remove plastic plugs or  
factory hex bolts (if equipped)

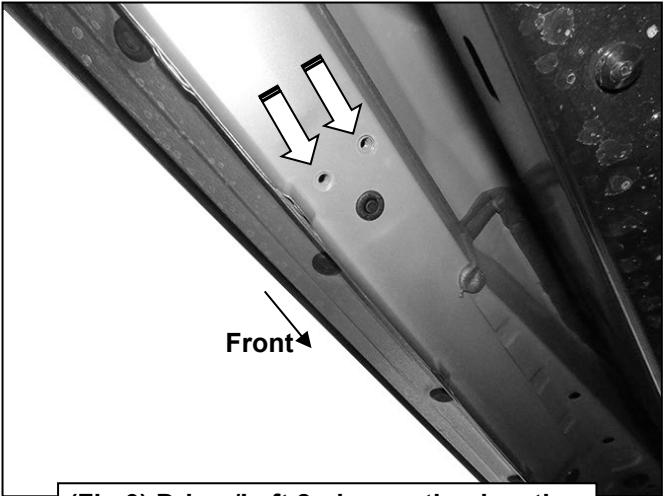


(Fig 1) Driver/Left front mounting location

- (2) 8mm Hex Bolts
- (2) 8mm Lock Washers
- (2) 8mm Flat Washers

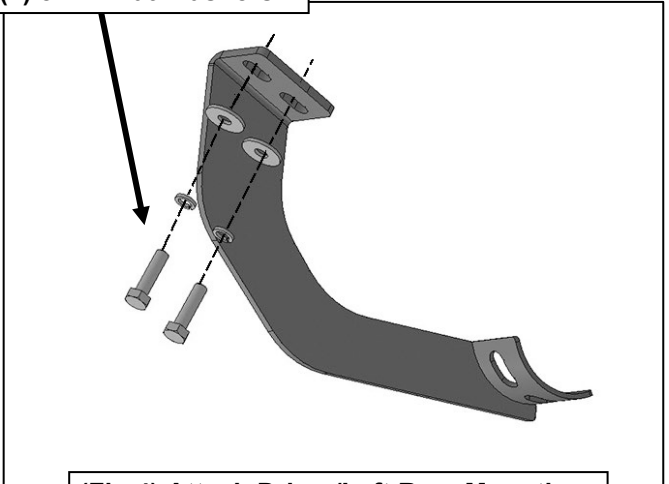


(Fig 2) Attach Driver/Left Front Mounting  
Bracket to the mounting location



(Fig 3) Driver/Left 2nd mounting location

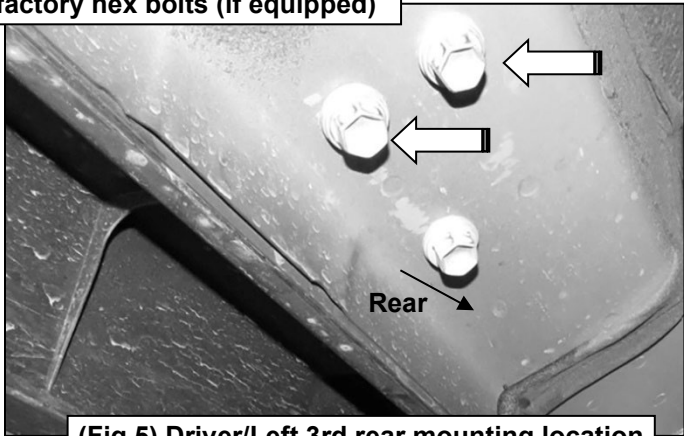
- (2) 8mm Hex Bolts
- (2) 8mm Lock Washers
- (2) 8mm Flat Washers



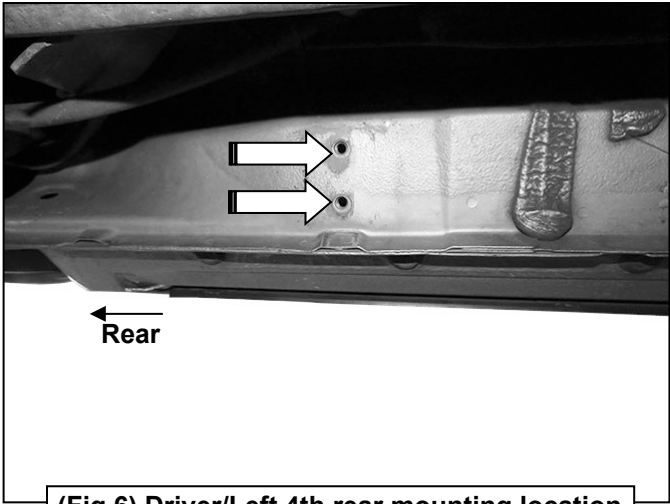
(Fig 4) Attach Driver/Left Rear Mounting  
Bracket to the 2nd mounting location

**Driver/Left Side Installation Pictured**

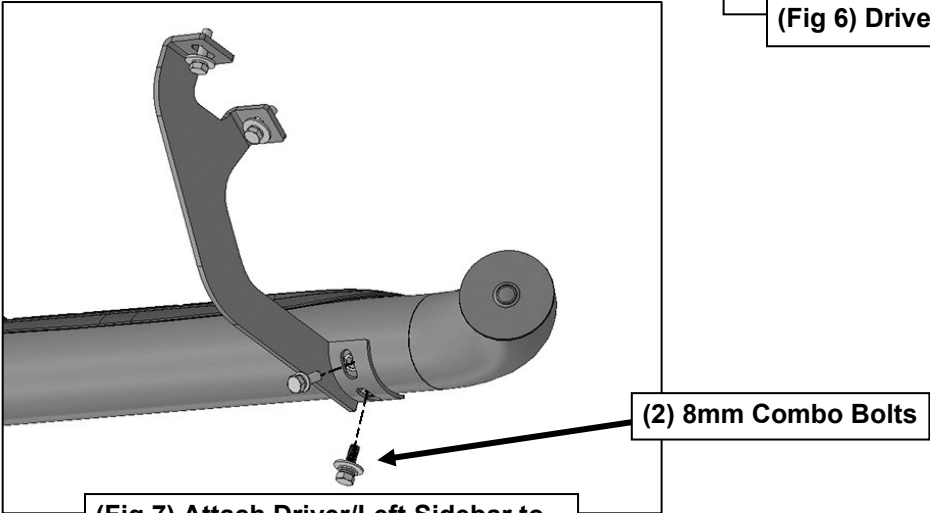
Remove plastic plugs or  
factory hex bolts (if equipped)



(Fig 5) Driver/Left 3rd rear mounting location



(Fig 6) Driver/Left 4th rear mounting location



(Fig 7) Attach Driver/Left Sidebar to  
the Front Mounting Bracket