



# **INSTALLATION INSTRUCTIONS**

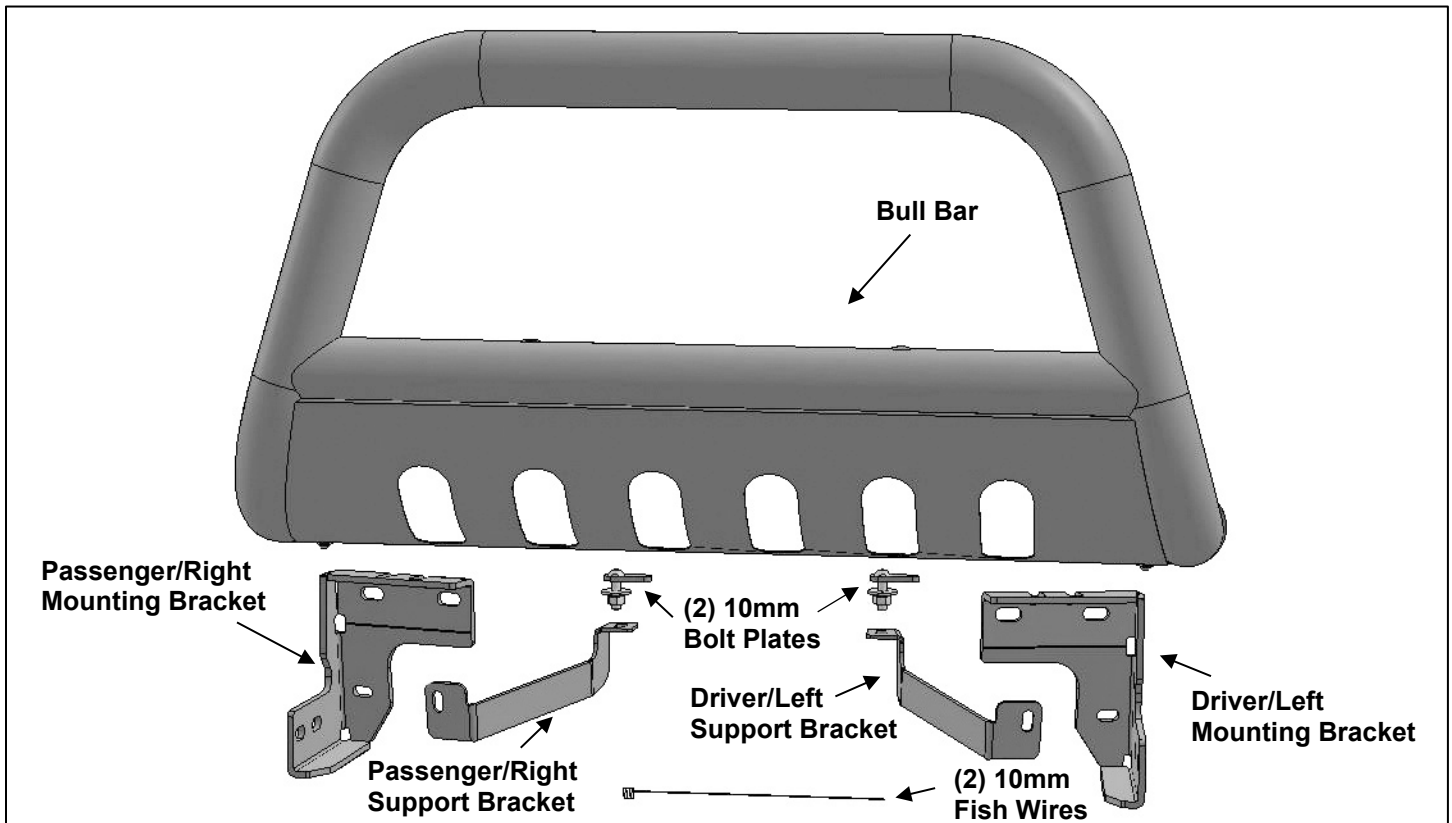
**BULL BAR**

**2022-26 TOYOTA TUNDRA without Parking Brake Support System**

**PART# TU20383 / TU20384**

**PARTS LIST:**

1	Bull Bar	6	10mm x 35mm Hex Bolts
1	Driver/Left Mounting Bracket	14	10mm x 30mm x 2.5mm Flat Washers
1	Passenger/Right Mounting Bracket	8	10mm Lock Washers
1	Driver/Left Support Bracket	8	10mm Hex Nuts
1	Passenger/Right Support Bracket	2	10mm Fish Wires
2	10mm x 35mm Bolt Plates		



**PROCEDURE:**

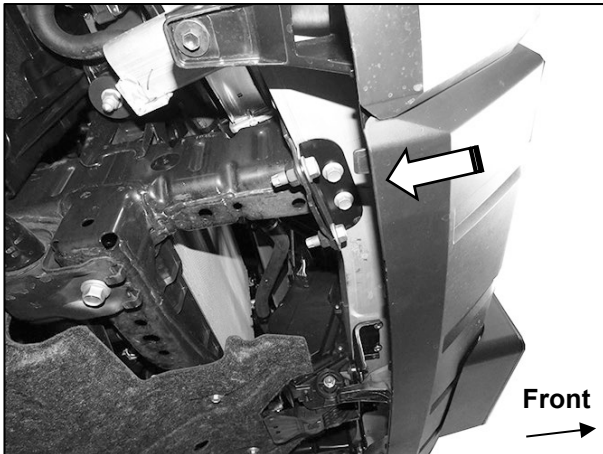
**REMOVE CONTENTS FROM BOX. VERIFY ALL PARTS ARE PRESENT. READ INSTRUCTIONS CAREFULLY BEFORE STARTING INSTALLATION. INSTALLATION MAY INTERFERE WITH FRONT MOUNTED SENSORS. MODELS WITH “PARKING BRAKE SUPPORT SYSTEM” MUST TURN OFF SYSTEM. ON MODELS WITH ELECTRIC AIR DAM, AIR DAM MUST BE REMOVED FROM ELECTRIC MOTOR AND CANNOT BE REINSTALLED.**

1. Start installation under the Passenger/Right front of the vehicle. Locate the end of the frame and impact bumper just behind the outer bumper cover. Temporarily remove the (4) factory bolts and bent bracket, **(Figure 1)**. **NOTE:** Bracket will not be reinstalled.
2. Select the Passenger/Right Frame Mounting Bracket. Reuse the factory bolts to attach the Mounting Bracket to the frame and bottom of the impact bumper, **(Figures 2 & 3)**. Do not tighten hardware.
3. Select (1) 10mm Bolt Plate and (1) 10mm Fish Wire. Thread the Fish Wire onto the Bolt Plate, **(Figure 4)**. Bend the straight end of the Fish Wire into a hook, Insert the bent end of the Fish Wire into the large hole in the bottom of the frame crossmember, **(Figure 5)**. Guide the Fish Wire into the large hole and back out the smaller hole toward the outside of the frame. Pull the Fish Wire and Bolt Plate into and down out of the frame, **(Figure 6)**.
4. Select the Passenger/Right Support Bracket. Attach the Support Bracket to the Bolt Plate with (1) 10mm Flat Washer, (1) 10mm Lock Washer and (1) 10mm Hex Nut, **(Figure 7)**. Attach the forward end of the Support Bracket to the back of the Mounting Bracket with (1) 10mm x 35mm Hex Bolt, (2) 10mm Flat Washers, (1) 10mm Lock Washer and (1) 10mm Hex Nut, **(Figure 8)**. Do not tighten hardware.
5. Repeat **Steps 1—4** to attach the Driver/Left Frame and Support Bracket to the frame.

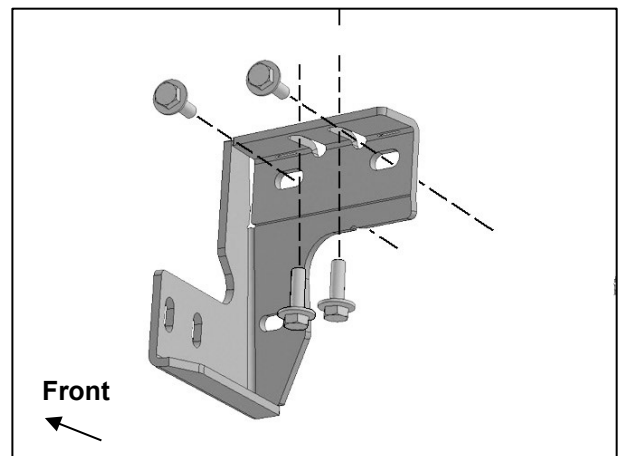
6. With assistance, hold the Bull Bar up to the inside of the Mounting Brackets. Attach the Bull Bar to the Brackets with the included (4) 10mm x 35mm Hex Bolts, (8) 10mm Flat Washers, (4) 10mm Lock Washers and (4) 10mm Hex Nuts, **(Figures 9 & 10)**. Do not tighten hardware.
7. Level and adjust the Bull Bar then fully tighten all hardware.
8. Do periodic inspections to the installation to make sure that all hardware is secure and tight.

**To protect your investment**, wax this product after installing. Regular waxing is recommended to add a protective layer over the finish. Do not use any type of polish or wax that may contain abrasives that could damage the finish. Mild soap may be used to clean the Bull Bar.

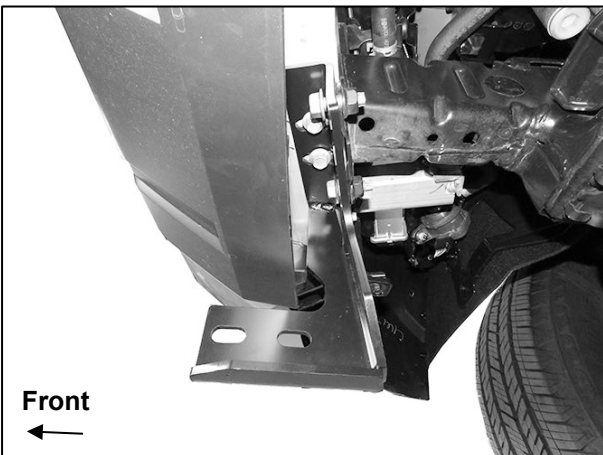
### Passenger/Right Side Installation Pictured



**(Fig 1)** Temporarily remove the (4) bolts and bent bracket attaching the bottom of the inner impact bumper to the end of the frame (arrow)

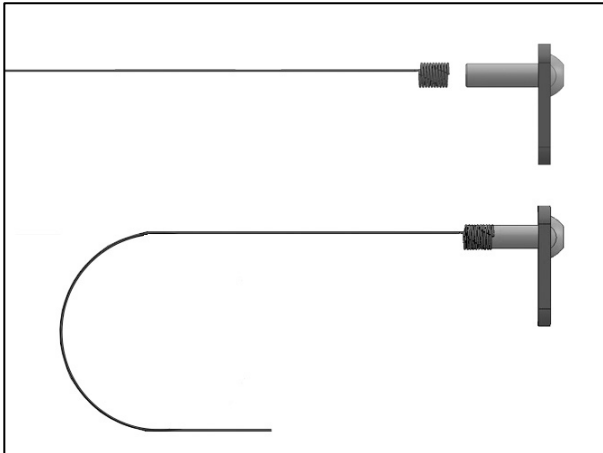


**(Fig 2)** Reuse the factory hardware to attach the Passenger/Right Mounting Bracket to the frame and inner impact bumper

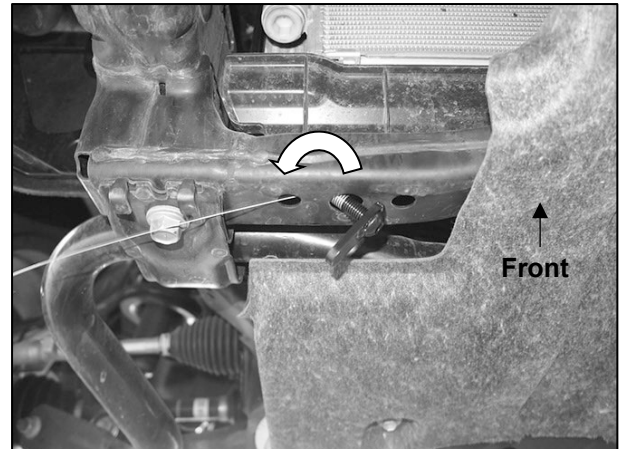


**(Fig 3)** Reuse the factory hardware to attach the Passenger/Right Mounting Bracket

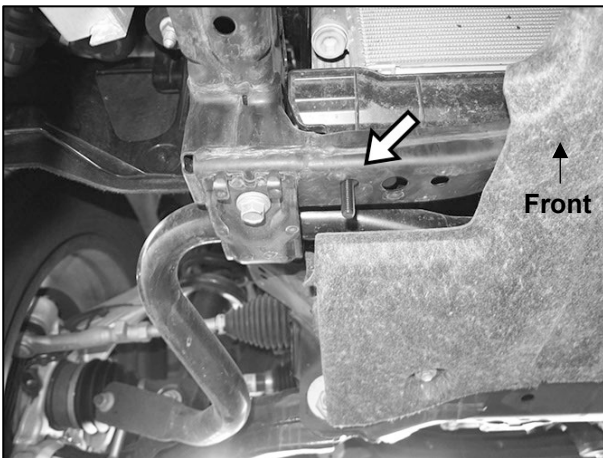
### Passenger/Right Side Installation Pictured



(Fig 4) Thread (1) 10mm Fish Wire onto (1) 10mm Bolt Plate. Bend the straight end of the Fish Wire into a "U"

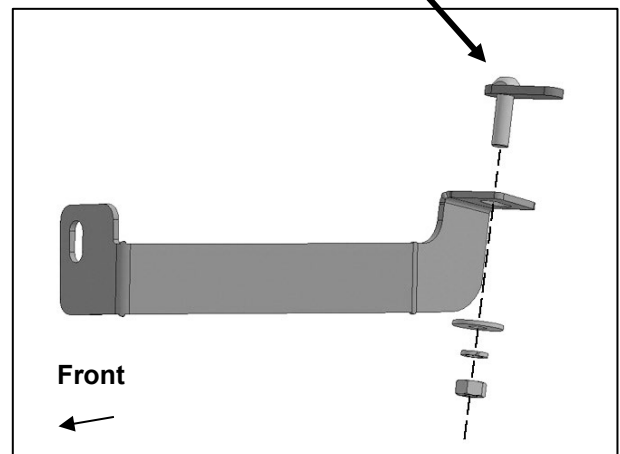


(Fig 5) Insert the U-bent end of the Fish Wire into the large hole and out the outer smaller hole. Pull the Fish Wire with Bolt Plate into and through the hole in the crossmember



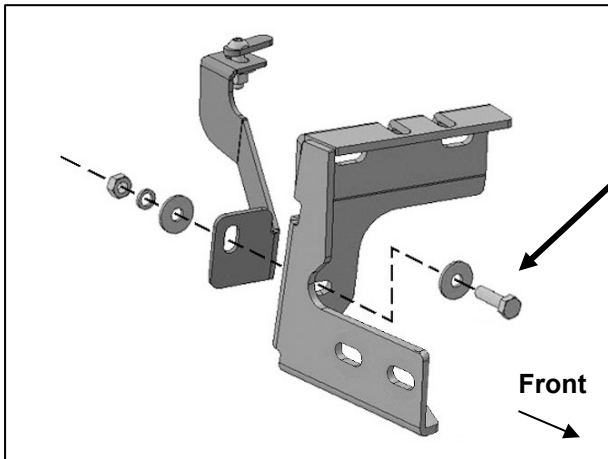
(Fig 6) Pull the Fish Wire with Bolt Plate down and out through the smaller hole in the crossmember then remove Fish Wire

- 10mm Bolt Plate
- 10mm Flat Washer
- 10mm Lock Washer
- 10mm Hex Nut



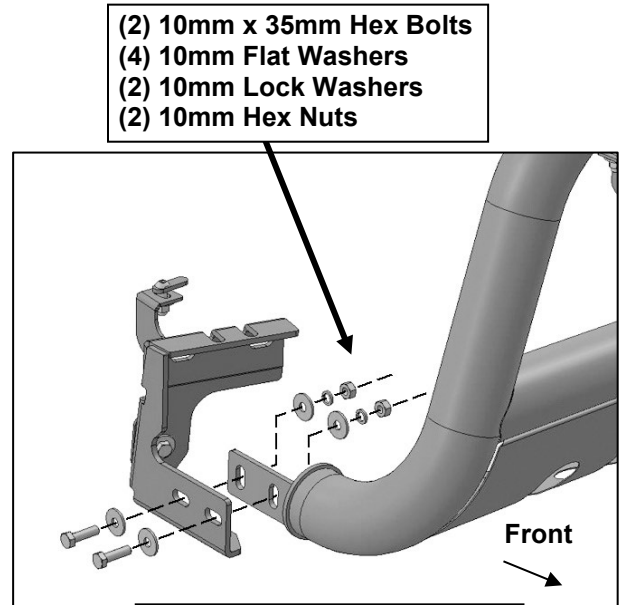
(Fig 7) Attach the Passenger/Right Support Bracket to the Bolt Plate

### Passenger/Right Side Installation Pictured



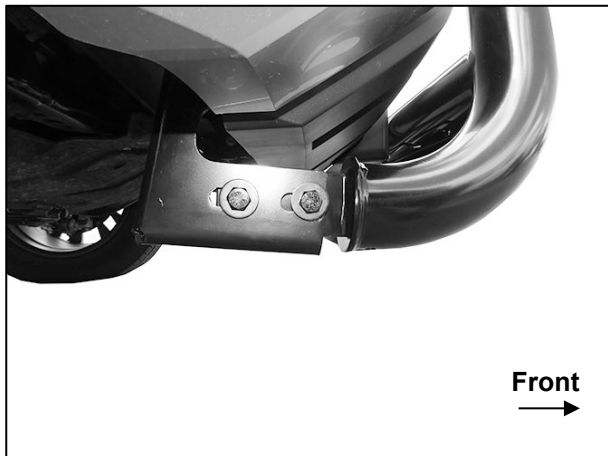
- 10mm x 35mm Hex Bolt
- (2) 10mm Flat Washers
- 10mm Lock Washer
- 10mm Hex Nut

(Fig 8) Attach Support Bracket to back of the Passenger/Right Mounting Bracket



- (2) 10mm x 35mm Hex Bolts
- (4) 10mm Flat Washers
- (2) 10mm Lock Washers
- (2) 10mm Hex Nuts

(Fig 9) Attach the Bull Bar to the (2) Mounting Brackets



(Fig 10) Attach Bull Bar to the inside of the Mounting Brackets



Complete Installation