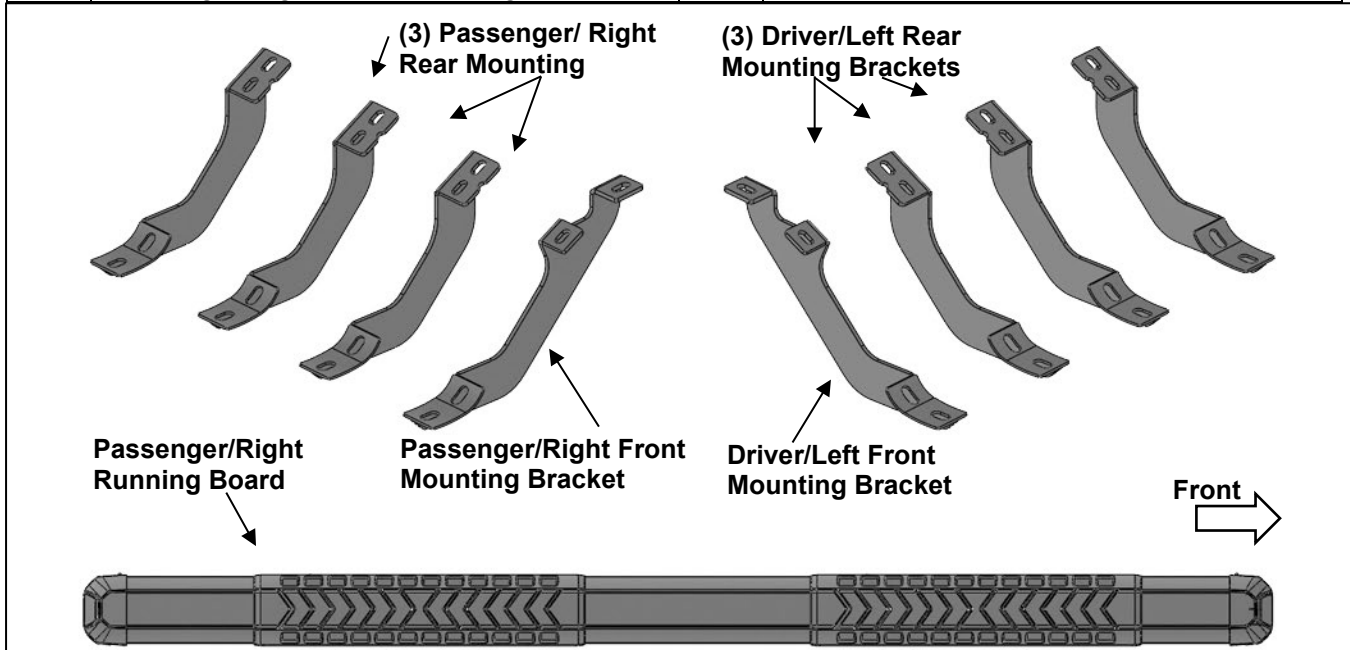


PARTS LIST: TU19898 TU19899

1	Driver/Left Saber Sidebar	16	8mm x 30mm Hex Bolts
1	Passenger/Right Saber Sidebar	16	8mm x 20mm T-Bolts
1	Driver/Left Front Mounting Bracket	32	8mm x 24mm OD x 2mm Flat Washers
1	Passenger/Right Front Mounting Bracket	32	8mm Lock Washers
3	Driver/Left Rear Mounting Brackets	16	8mm Hex Nuts
3	Passenger/Right Rear Mounting Brackets		

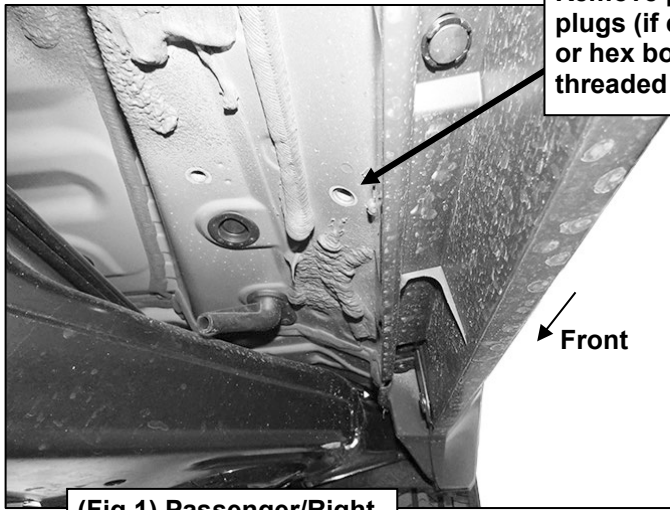


PROCEDURE:

- 1. REMOVE CONTENTS FROM BOX. VERIFY ALL PARTS ARE PRESENT. READ INSTRUCTIONS CAREFULLY. ASSISTANCE IS HIGHLY RECOMMENDED.**
- Starting on the Passenger/Right side of the vehicle and remove the plastic plugs or hex bolts from the factory mounting location along the bottom of the body, **(Figures 1 & 4)**.
- Select the Passenger/Right Front Mounting Bracket. Attach the Bracket to the front location with (2) 8mm Hex Bolts, (2) 8mm Lock Washers and (2) 8mm Flat Washers, **(Figures 2 & 3)**. Do not tighten hardware.
- Repeat **Steps 2 & 3** to attach the (3) Rear Mounting Brackets, **(Figures 4—8)**.
- Select the Passenger/Right Saber Sidebar. Use the illustration above to help determine the correct Sidebar. Insert (8) T-Bolts into the channels in the bottom of the sidebar, (4) per channel, **(Figure 9)**. With assistance, place the Sidebar on top of the Brackets. **IMPORTANT:** Do not slide, (front to back), the Sidebar on the Brackets or damage to the finish may result.
- Attach the Sidebar to the Brackets with (8) 8mm Flat Washers, (8) 8mm Lock Washers and (8) 8mm Hex Nuts, **(Figure 10)**. Do not tighten hardware.
- Level and adjust the Sidebar and tighten all hardware.
- Repeat **Steps 1—7** to attach the Driver/Left Sidebar.
- Do periodic inspections to the installation to make sure that all hardware is secure and tight.

To protect your investment, Do not use any type of polish or wax that may contain abrasives that could damage the finish. Use only mild soap to clean the Sidebars.

Passenger/Right Side Installation Pictured

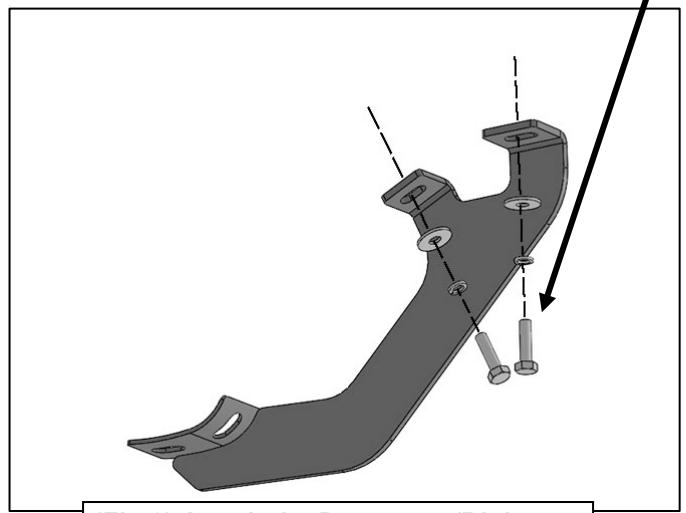


Remove plastic plugs (if equipped) or hex bolts from threaded holes

Front

(Fig 1) Passenger/Right front mounting location

- (2) 8mm Hex Bolts
- (2) 8mm Lock Washers
- (2) 8mm Flat Washers



(Fig 2) Attach the Passenger/Right Front Mounting Bracket to the front



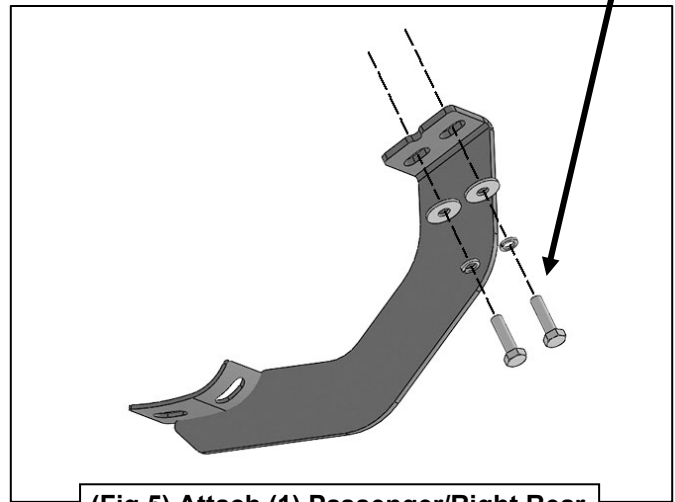
(Fig 3) Passenger/Right Front Mounting Bracket attached to the front location

Passenger/Right Side Installation Pictured



(Fig 4) Passenger/Right center (2nd)

- (2) 8mm Hex Bolts
- (2) 8mm Lock Washers
- (2) 8mm Flat Washers



(Fig 5) Attach (1) Passenger/Right Rear Mounting Bracket to the 2nd location



(Fig 6) (1) Passenger/Right Rear Mounting Bracket attached to the 2nd location

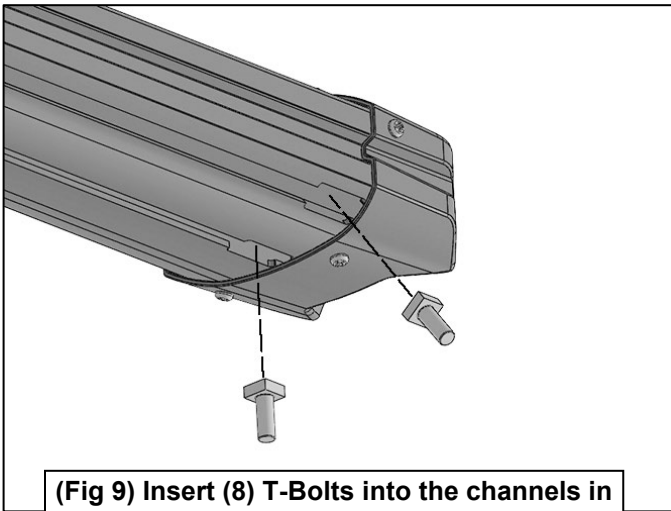
Passenger/Right Side Installation Pictured



(Fig 7) (1) Passenger/Right Rear Mounting Bracket attached to the 3rd location

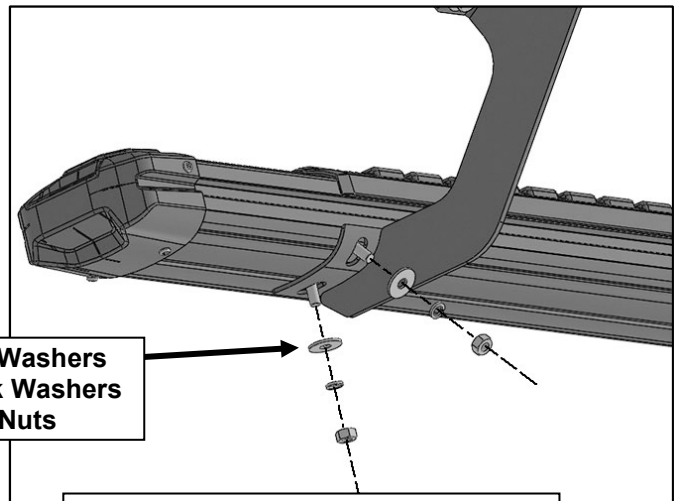


(Fig 8) (1) Passenger/Right Rear Mounting Bracket attached to the rear location



(Fig 9) Insert (8) T-Bolts into the channels in the bottom of the Sidebar, (4) per channel

- (2) 8mm Flat Washers
- (2) 8mm Lock Washers
- (2) 8mm Hex Nuts



(Fig 10) Attach the Passenger/Right Sidebar to the (4) Mounting Brackets