

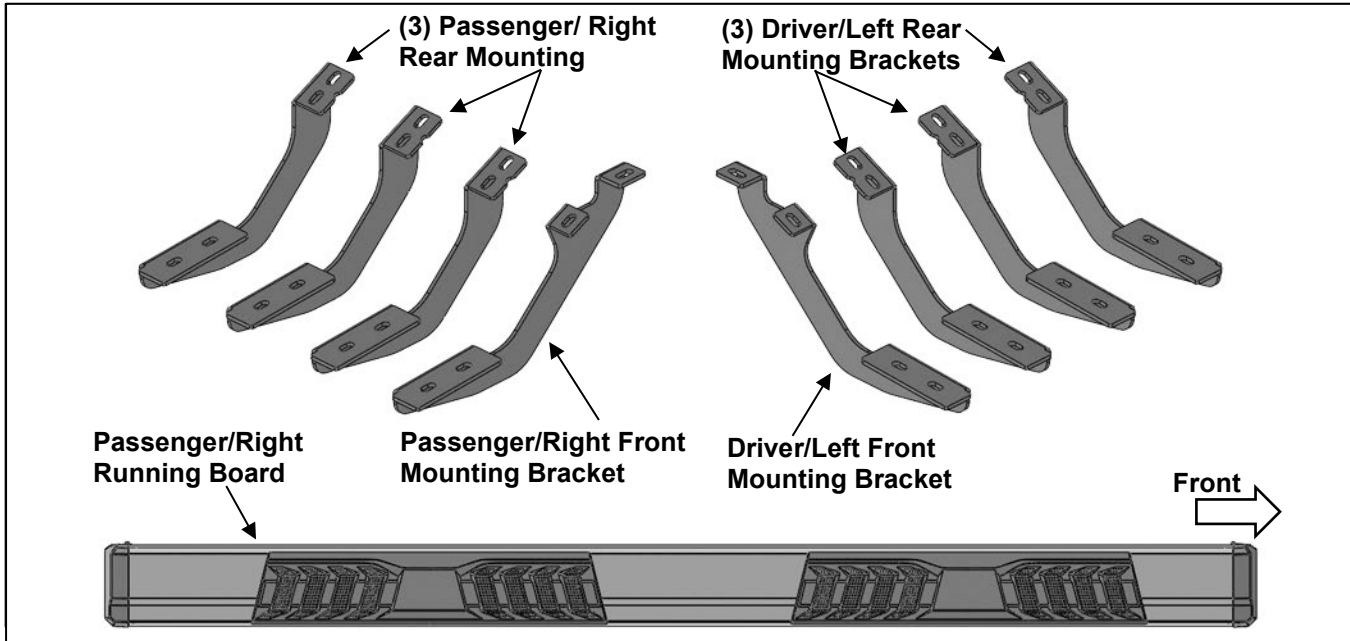


**INSTALLATION INSTRUCTIONS**

**S6 RUNNING BOARDS  
2022-26 TOYOTA TUNDRA CREWMAX  
TU19142 TU19143**

**PARTS LIST: TU19142 TU19143**

1	Driver/Left S6 Running Board	8	8mm x 35mm Double Bolt Plates
1	Passenger/Right S6 Running Board	16	8mm x 30mm Hex Bolts
1	Driver/Left Front Mounting Bracket	16	8mm Lock Washers
1	Passenger/Right Front Mounting Bracket	32	8mm x 24mm OD x 2mm Flat Washers
3	Driver/Left Rear Mounting Brackets	16	8mm Nylon Lock Nuts
3	Passenger/Right Rear Mounting Brackets		

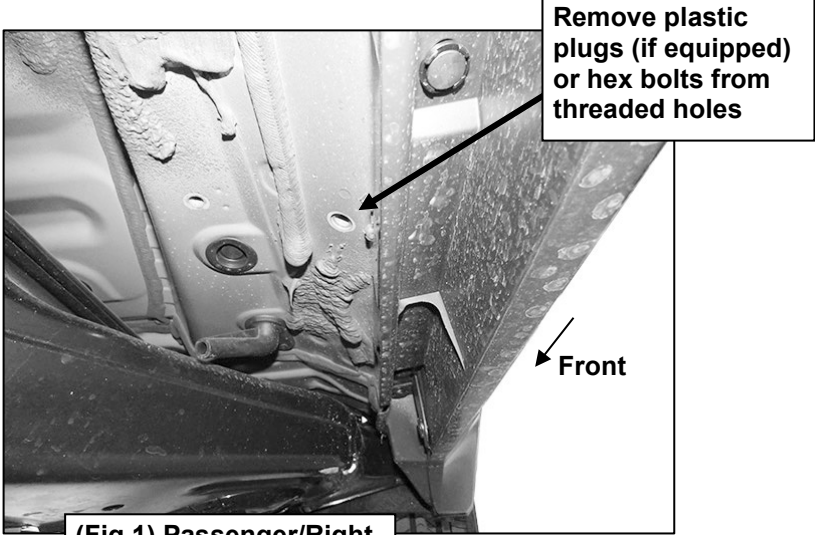


**PROCEDURE:**

- 1. REMOVE CONTENTS FROM BOX. VERIFY ALL PARTS ARE PRESENT. READ INSTRUCTIONS CAREFULLY. ASSISTANCE IS HIGHLY RECOMMENDED.**
- Starting on the Passenger/Right side of the vehicle and remove the plastic plugs or hex bolts from the factory mounting location along the bottom of the body, **(Figures 1 & 4)**.
- Select the Passenger/Right Front Mounting Bracket. Attach the Bracket to the front location with (2) 8mm Hex Bolts, (2) 8mm Lock Washers and (2) 8mm Flat Washers, **(Figures 2 & 3)**. Do not tighten hardware.
- Repeat **Steps 2 & 3** to attach the (3) Rear Mounting Brackets, **(Figures 4—8)**.
- Unwrap the Passenger/Right S6 Running Board. Select (4) 8mm Double Bolt Plates, **(Figure 9)**. Insert the Bolt Plates into the channel in the bottom of the Running Board.
- Place the Running Board on top of the (4) Mounting Brackets. Lift the Running Board up and guide the studs down through the Brackets. **IMPORTANT:** Do not slide the Running Board on the Brackets, (front to back or rotate), or the finish on the Running Board may be damaged.
- Attach the Running Board to the Brackets with (8) 8mm Flat Washers and (8) 8mm Nylon Lock Nuts, **(Figure 9)**. Do not tighten hardware.
- Level and adjust the Running Board and tighten all hardware.
- Repeat **Steps 1—8** to attach the Driver/Left S6 Running Board.
- Do periodic inspections to the installation to make sure that all hardware is secure and tight.

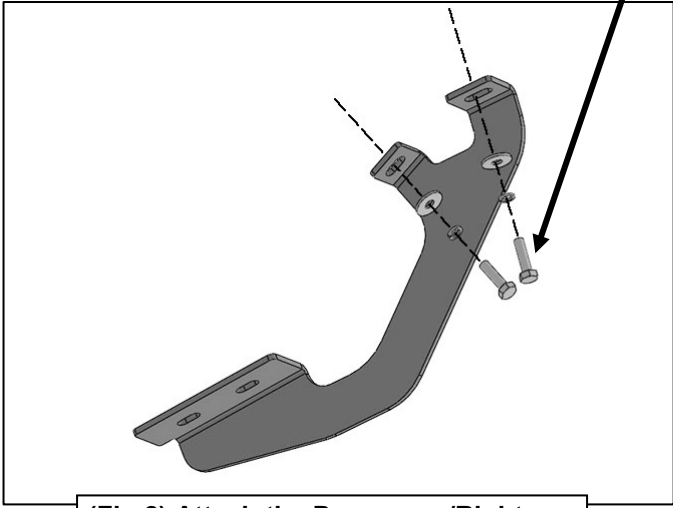
**To protect your investment,** Do not use any type of polish or wax that may contain abrasives that could damage the finish. Use only mild soap to clean the Running Boards.

### Passenger/Right Side Installation Pictured



**(Fig 1) Passenger/Right front mounting location**

- (2) 8mm Hex Bolts
- (2) 8mm Lock Washers
- (2) 8mm Flat Washers



**(Fig 2) Attach the Passenger/Right Front Mounting Bracket to the front**



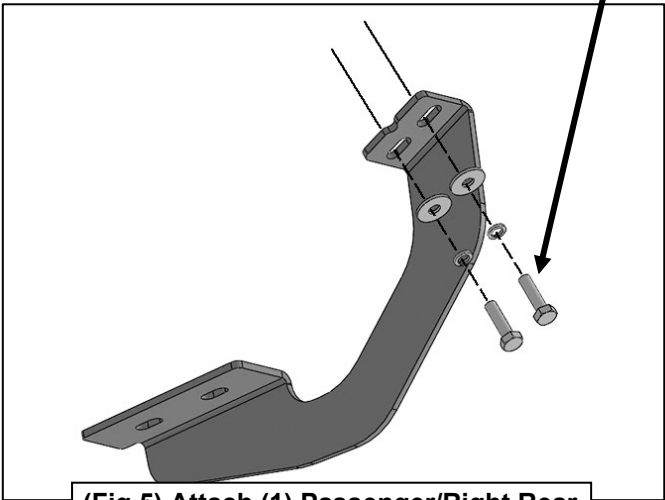
**(Fig 3) Passenger/Right Front Mounting Bracket attached to the front location**

**Passenger/Right Side Installation Pictured**



**(Fig 4) Passenger/Right center (2nd)**

- (2) 8mm Hex Bolts
- (2) 8mm Lock Washers
- (2) 8mm Flat Washers



**(Fig 5) Attach (1) Passenger/Right Rear Mounting Bracket to the 2nd location**



**(Fig 6) (1) Passenger/Right Rear Mounting Bracket attached to the 2nd location**

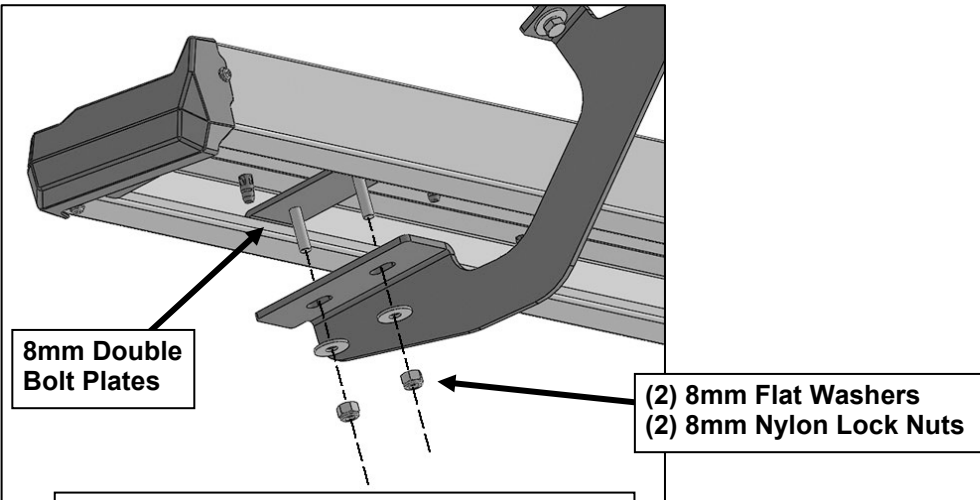
**Passenger/Right Side Installation Pictured**



**(Fig 7) (1) Passenger/Right Rear Mounting Bracket attached to the 3rd location**



**(Fig 8) (1) Passenger/Right Rear Mounting Bracket attached to the rear location**



**8mm Double Bolt Plates**

**(2) 8mm Flat Washers  
(2) 8mm Nylon Lock Nuts**

**(Fig 9) Attach the Passenger/Right Running Board to the (4) Mounting Brackets**