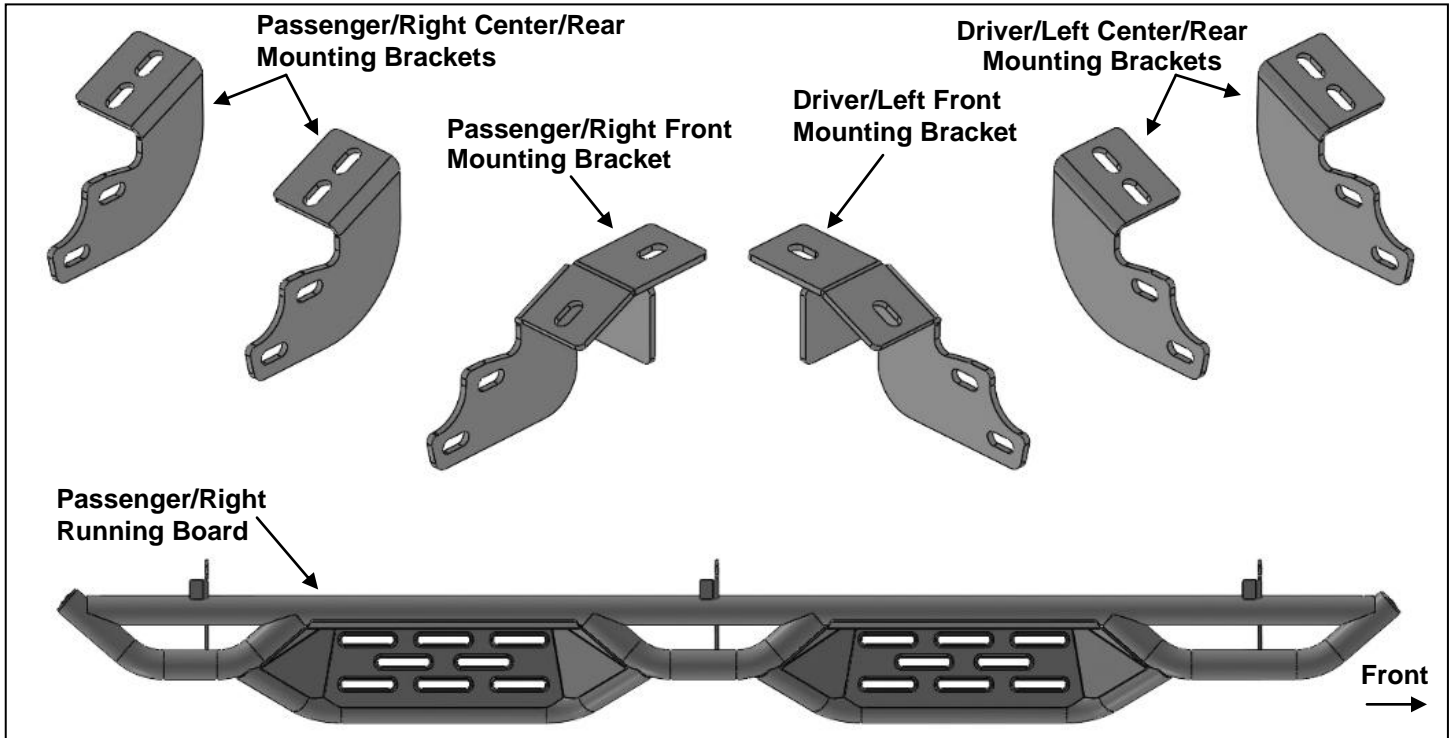


**PARTS LIST:**

1	Driver/Left NB1 Running Board	12	10-1.5mm x 35mm Hex Bolts
1	Passenger/Right NB1 Running Board	24	10mm x 27mm x 3mm Flat Washers
1	Driver/Left Front Mounting Bracket	12	10mm Nylon Lock Nuts
1	Passenger/Right Front Mounting Bracket	12	8-1.25mm x 30mm Hex Bolts
2	Driver/Left Center/Rear Mounting Brackets	12	8mm Lock Washers
2	Passenger/Right Center/Rear Mounting Brackets	12	8mm x 24mm x 2mm Flat Washers

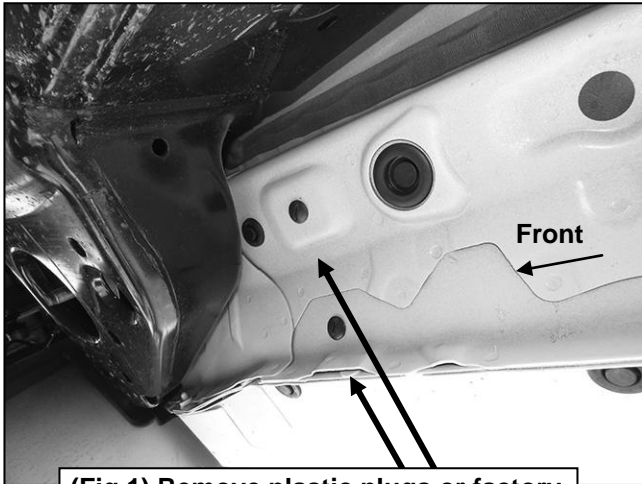


**PROCEDURE:**

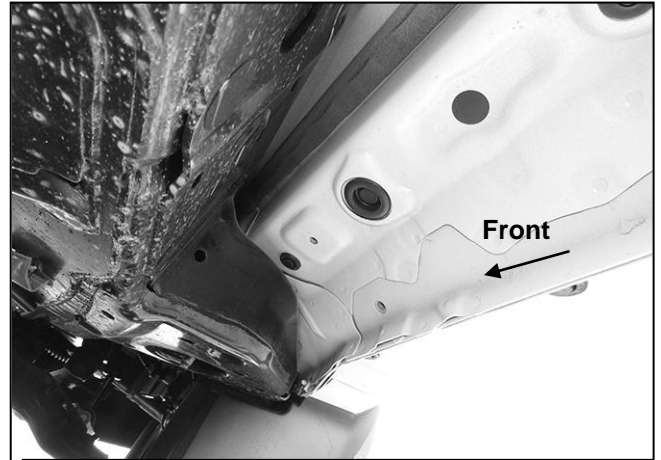
- 1. REMOVE CONTENTS FROM BOX. VERIFY ALL PARTS ARE PRESENT. READ INSTRUCTIONS CAREFULLY. USE ILLUSTRATION TO PROPERLY IDENTIFY BRACKETS AND SIDEBARS.**
- Starting on the Passenger/Right front of the vehicle, remove the plastic plugs or bolts covering the threaded holes in the rocker panel, **(Figures 1 & 2)**. Select the Passenger/Right Front mounting Bracket. Attach the Bracket to the vehicle using the included (2) 8mm Hex Bolts, (2) 8mm Lock Washers and (2) 8mm Flat Washers, **(Figures 3 & 4)**. Do not tighten hardware at this time.
- Move to the center mounting location. Select (1) Passenger/Right Center/Rear Mounting Bracket. Attach bracket to the rocker panel with (2) 8mm Hex Bolts, (2) 8mm Lock Washers and (2) 8mm Flat Washers, **(Figures 5 & 6)**.
- Continue to the rear mounting location. Repeat **Step 3** for Rear Bracket installation, **(Figures 7 & 8)**.
- Unwrap the Passenger/Right Running Board. Attach the Running Board to the rear facing side of the mounting brackets with (6) 10mm Hex Bolts, (12) 10mm Flat Washers and (6) 10mm Nylon Lock Nuts, **(Figure 9)**. Do not tighten hardware at this time.
- Properly level and adjust the Running Board and fully tighten all hardware.
- Repeat **Steps 2—6** for Driver/Left Running Board Installation.
- Do periodic inspections to the installation to make sure that all hardware is secure and tight.

**To protect your investment,** Do not use any type of polish or wax that may contain abrasives that could damage the finish. Mild soap may be used also to clean the Running Board.

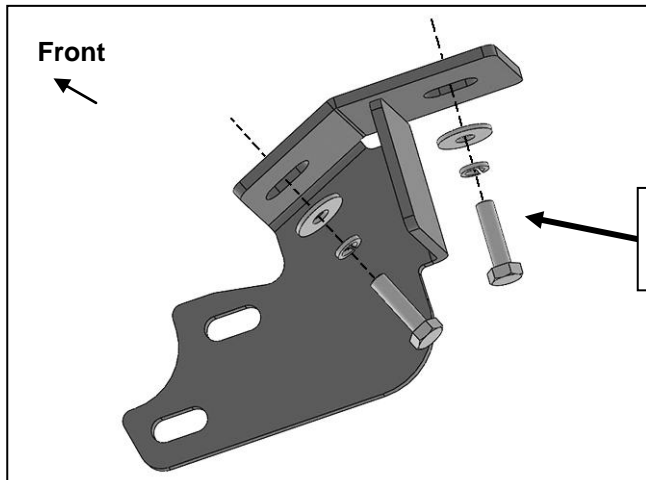
### Passenger/Right Side Installation Pictured



(Fig 1) Remove plastic plugs or factory hex bolts (If equipped)

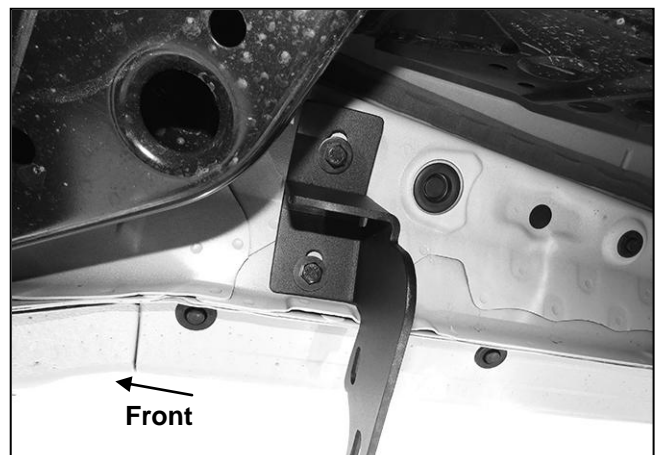


(Fig 2) Passenger/Right front mounting location



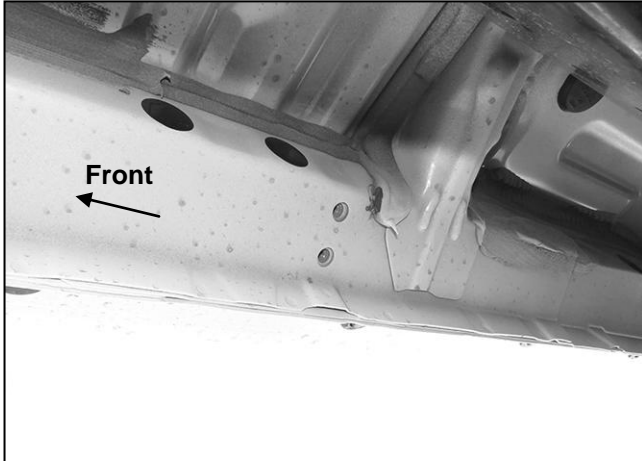
- (2) 8mm Hex Bolts
- (2) 8mm Lock Washers
- (2) 8mm Flat Washers

(Fig 3) Passenger/Right Front Bracket installation

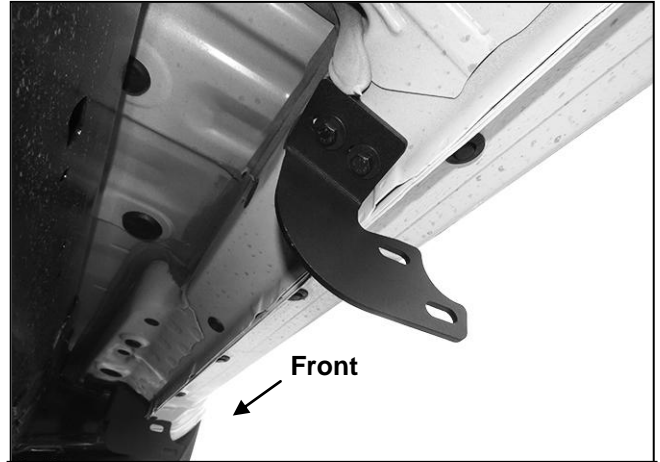


(Fig 4) Passenger/Right Front Bracket installed

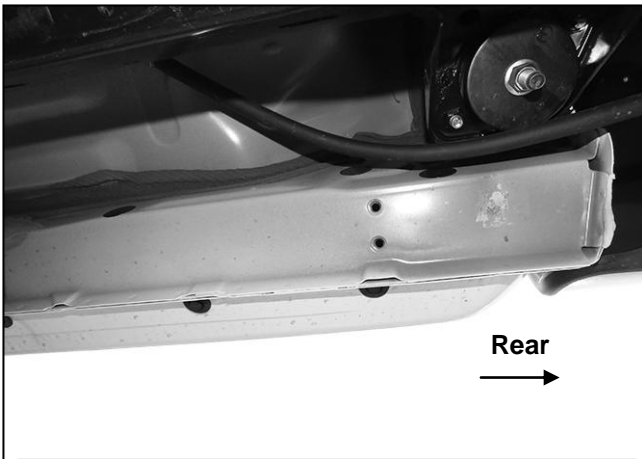
### Passenger/Right Side Installation Pictured



(Fig 5) Passenger/Right center mounting location

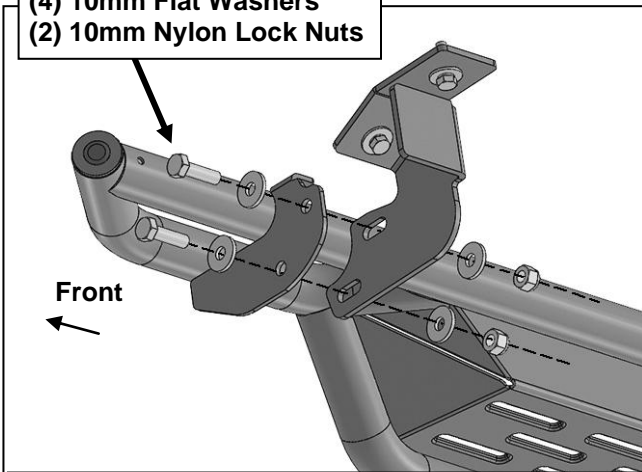


(Fig 6) Passenger/Right Center Bracket installed

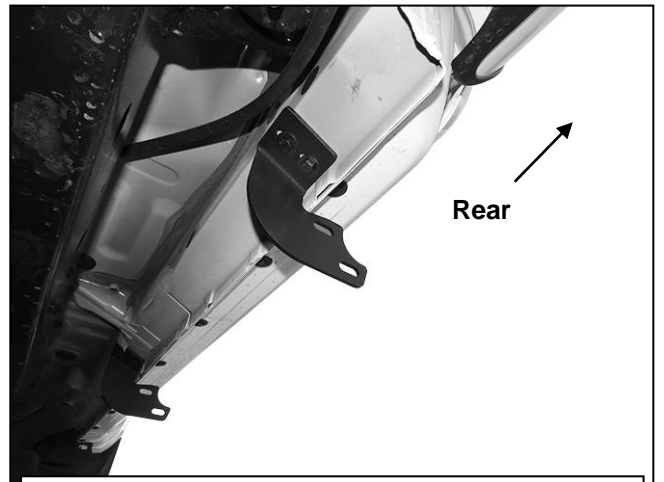


(Fig 7) Passenger/Right rear mounting location

- (2) 10mm Hex Bolts
- (4) 10mm Flat Washers
- (2) 10mm Nylon Lock Nuts



(Fig 9) Attach Running board to rear face of Mounting Brackets (Passenger/Right front shown)



(Fig 8) Passenger/Right Rear Bracket installed