

# ROLL UP TRUCK BOX COVER SPECIAL BOLT ON SIDE RAIL INSTRUCTIONS



## 2024-ON TOYOTA TACOMA WITH DECK RAIL

Read and follow these special instructions along with the standard instructions carefully before installing or using this cover.

**NOTICE TO INSTALLER:** Even if familiar with product, read special instructions prior to installation as improvements may be made without notice. Always handle components with care. When done, these special instructions must be given to the consumer.

**NOTICE TO CONSUMER:** Before using this product, read special instructions. Save these special instructions for future reference.

**NOTICE TO CONSUMER AND INSTALLER:** Side rails in this kit mount to the deck rail system with special bolt on brackets instead of standard clamps as shown in standard instructions. Cover may disable or limit use of some deck rail systems.

# PREPARATION

## TOOLS NEEDED

- Ft-lbs Torque wrench
- Ratchet with 7/16" and 1/2" sockets
- 1/2" Wrench
- Protective eyewear

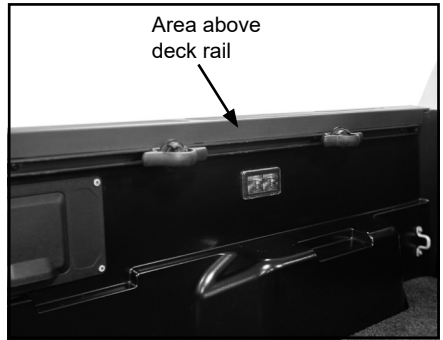
**▲ CAUTION:** Over torquing hardware may damage components.

**NOTE:** For best adhesion, ensure air and surface temperatures are above 60° F.

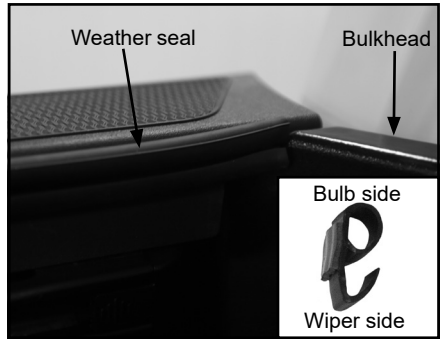
**NOTE:** Hardware appearance and components may vary.

## 1: INSTALLING WEATHER SEAL

A. Clean vertical surface above deck rail system from bulkhead to tailgate with alcohol pad.



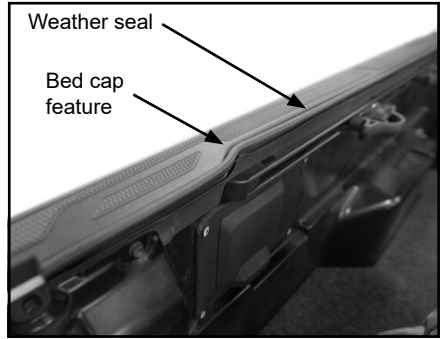
B. Peel small segment of protective backing from weather seal. At front of truck, align top of weather seal with top of box rail. With bulb side up, adhere seal so seal touches bulkhead.



# 1: INSTALLING WEATHER SEAL (Continued)

**NOTE:** Ensure top of seal is aligned with top of box rail until bed cap feature is reached.

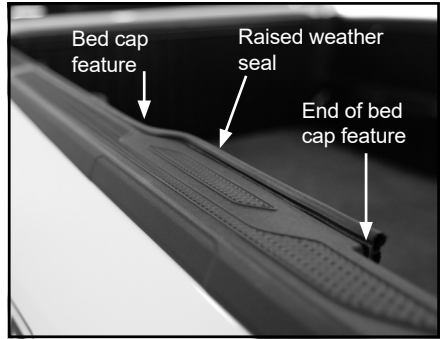
C. Continue peeling protective backing and adhere weather seal to vertical surface above deck rail system until bed cap feature is reached at rear.



D. At bed cap feature, slightly raise weather seal so the adhesive is at top of box rail.

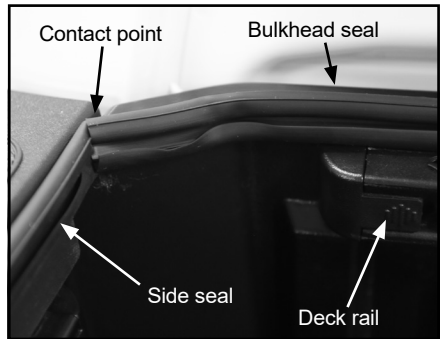
E. Trim excess weather seal at end of bed cap feature.

F. Repeat on opposite side.



G. Clean vertical surface on bulkhead above deck rail system with alcohol pad.

H. With both side seals placed, starting on one side adhere weather seal with bulb side up to vertical surface of bulkhead above deck rail system. Ensure bulkhead seal contacts both side seals, then trim excess seal.



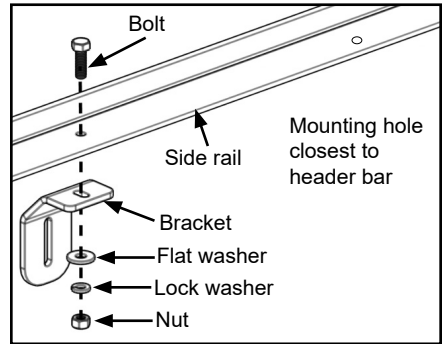
## 2: INSTALLING BRACKETS TO SIDE RAIL

**CAUTION:** Tension adjuster mounts to first hole closest to header bar on side rail. Do not mount bracket to first hole on side rail.

**NOTE:** Refer to standard instructions for side rail orientation.

A. Assemble brackets to side rails with 5/16" x 1" bolts, flat washers, lock washers and nuts. Finger tighten while ensuring the bracket can be adjusted in or out.

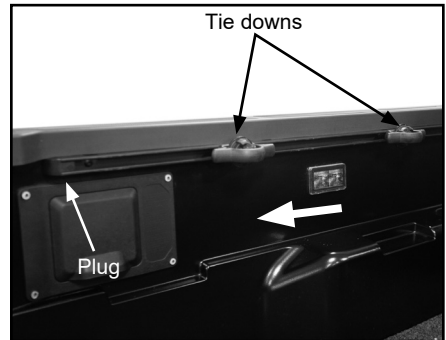
**NOTE:** 5' boxes receive two brackets per side rail, 6' boxes receive three brackets per side rail.



## 3: INSTALLING SIDE RAILS

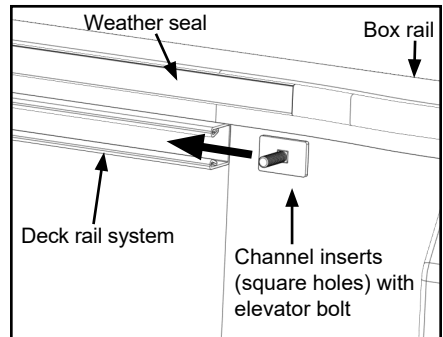
A. Remove deck rail system plug at end of channel near tailgate.

B. Remove tie downs from deck rail system by sliding toward opening near tailgate.



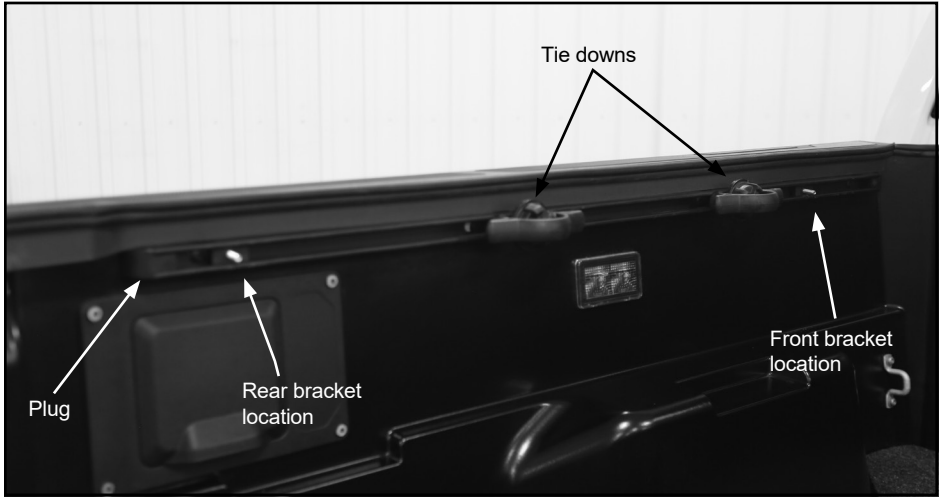
**NOTE:** Ensure elevator bolt is seated in concave side of channel insert.

C. Slide channel inserts (square hole) with 1/4" x 1-1/4" elevator bolts and tie downs into channel of deck rail system.



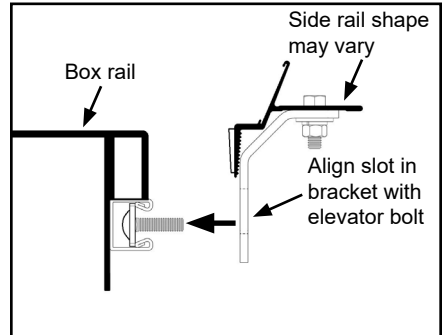
### 3: INSTALLING SIDE RAILS (Continued)

**NOTE:** Position tie downs as desired between brackets. After installing cover, ensure cover components do not contact tie downs. Adjust tie downs as needed.



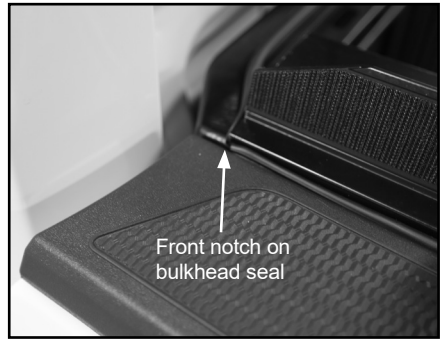
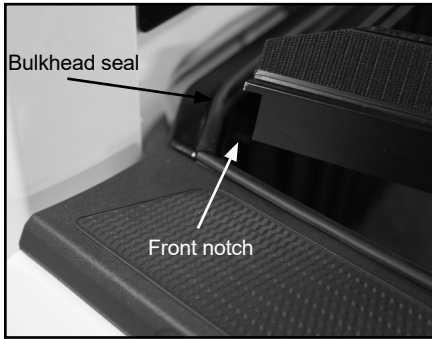
D. Reinsert deck rail system plug at end of channel near tailgate.

E. With strike toward rear of truck, align elevator bolts with brackets on side rail.



### 3: INSTALLING SIDE RAILS (Continued)

F. Position side rail against inside lip of box. Push side rail forward until side rail touches front of box. Ensure front notch of rail rests on top of bulkhead seal.

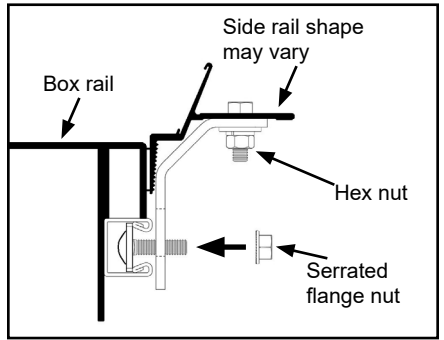


G. Ensure side rail is level, starting at the front secure brackets with serrated flange nuts first, then tighten hex nuts.

**NOTE:** If third bracket is provided, tighten middle bracket last.

**NOTE:** Compress weather seal at rear by applying pressure to the rail while tightening serrated flange nuts.

**NOTE:** Compress weather seal by applying pressure to rail again while tightening hex nuts.



H. Torque all bolts to 10 ft-lbs.

I. Repeat Steps 2-3 to install side rail on opposite side.

**IMPORTANT:** Pull vinyl flap out for this application.

J. For remaining cover installation, refer to standard instructions.



