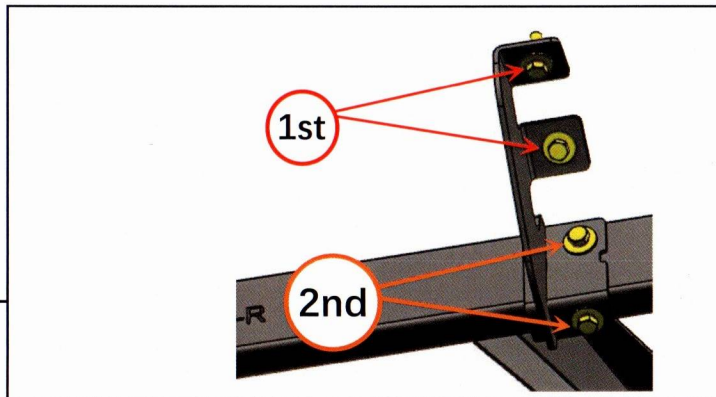
**STEP 5**

With all brackets loosely mounted to the vehicle, fit the running board onto the front bracket, and loosely secure into place using (2) M8 x 25mm combo bolts. Repeat the step for other (2) PS step brackets.

**STEP 6**

Tighten the mounting brackets to the vehicle. Adjust the running board to the desired angle, and tighten the bolts to secure the step into place. See photo for tightening order visual.

Repeat steps 1-6 for the remaining running board.

Installation is now complete.

HD WIDE STEP RUNNING BOARDS

(2024 - 2025+ TACOMA DOUBLE CAB)

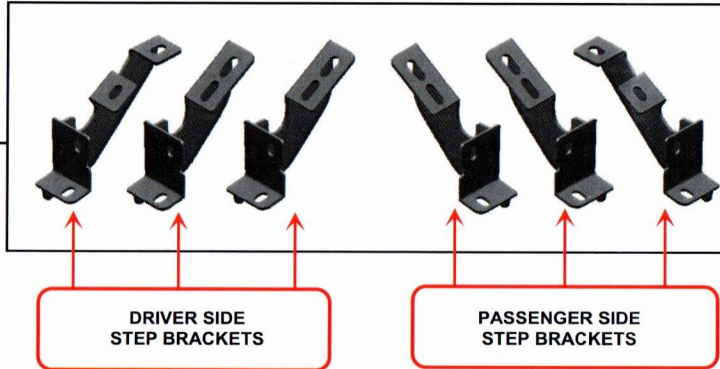
INSTALLATION INSTRUCTIONS**CONTENTS**

- (1) LH Running Board
- (1) RH Running Board
- (3) LH Step Brackets [DF, DC, DR]
- (3) RH Step Brackets [PF, PC, PR]
- (12) M8 x 30mm Hex Bolts
- (12) M8 x 30mm OD x 3mm Flat Washers
- (12) M8 Lock Washers
- (12) M8 x 25mm Combo Bolts

TOOLS REQUIRED

- 13mm Socket/Wrench
- Ratchet

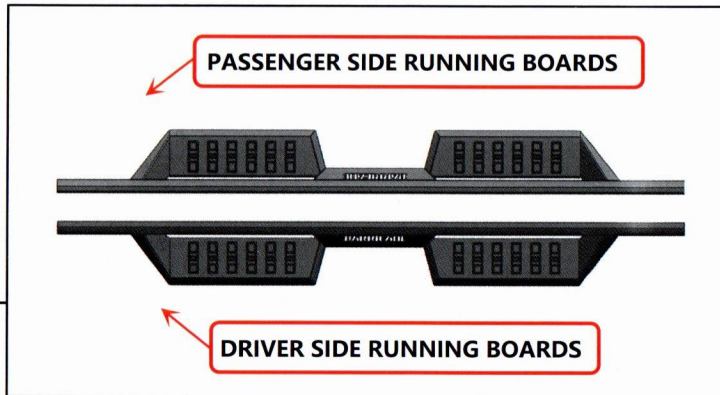
STEP 1



Please identify each mounting bracket using the engraved location identifier. **Notice: Center and Rear Mounting Brackets are the same on the same side.**

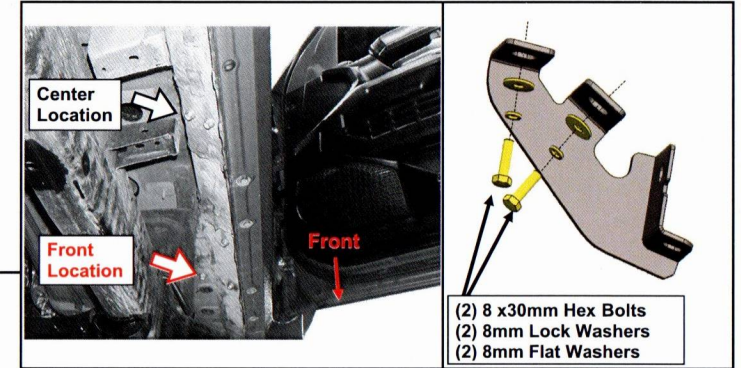
- | | |
|-------------------|----------------------|
| DF: Driver Front | PF: Passenger Front |
| DC: Driver Center | PC: Passenger Center |
| DR: Driver Rear | PR: Passenger Rear |

STEP 2



Identify each running board by identifier on the front. **Notice: "L" for Driver/Left Side; "R" for Passenger/Right Side.**

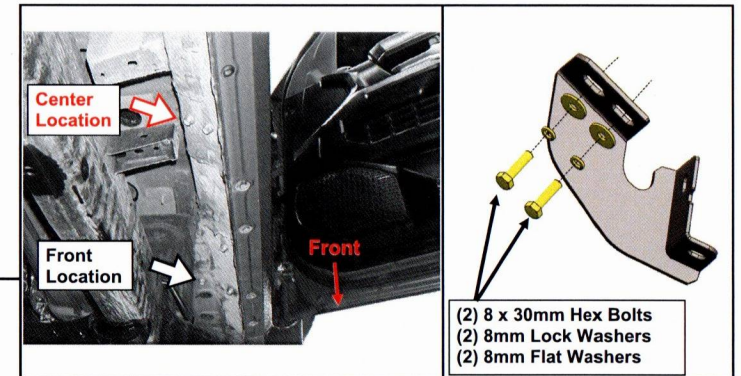
STEP 3



Start installation toward the front of the Passenger/Right side of the vehicle.

Loosely fit the (1) Passenger Front bracket to the vehicle threaded body hole using (2) M8 x 30mm bolts, (2) M8 lock washers, and (2) M8 flat washers. Do not fully tighten to allow for later adjustments.

STEP 4



Loosely fit the (1) Passenger Center bracket to the vehicle threaded body hole using (2) M8 x 30mm bolts, (2) M8 lock washers, and (2) M8 flat washers. Do not fully tighten to allow for later adjustments. Repeat this step for the Passenger Rear bracket.