

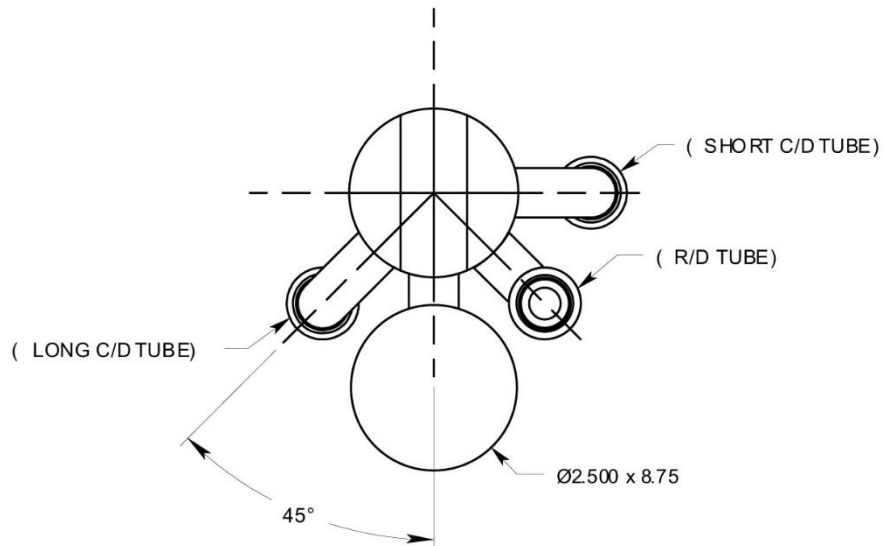


## CAMBURG TACOMA 05-15 LONG-TRAVEL SHOCK SPEC SHEET

**COILOVERS:** 2.5" DIAMETER X 8" TRAVEL  
REMOTE RESERVOIR  
23.90" EXTENDED | 16.40" COLLAPSED  
TAPERED/RAISED LOWER SPRING SEAT  
2" LONGER LOWER ROD END  
1.25" WIDTH UPPER & LOWER SHOCK SPACERS (1/2" ID)  
90 DEGREE RES. HOSE FITTING ON SHOCK BODY  
16" X 3" ID X 600/LB COIL SPRINGS (500/LB WHEN USING WITH LIFT SPINDLES)

**AIR BUMPS:** 2.0" DIAMETER X 2.5" TRAVEL

**BYPASS:** 2.5" DIAMETER X 8" TRAVEL  
PIGGYBACK RESERVOIR  
CUSTOM 3-TUBE LAYOUT (SEE BELOW | 1 LEFT & 1 RIGHT)  
24.43" EXTENDED | 16.43" COLLAPSED  
1" SHORTER LOWER ROD END  
1.25" WIDTH UPPER & LOWER SHOCK SPACERS (1/2" ID)





## Toyota Tacoma 05-15 Pre/4wd Long-Travel Kit [CAM-310020-U]

### Bushing Upper Arm Hardware (1 Left Arm / 1 Right Arm)

---

8	Upper Arm Bushings
4	Inner Pivot Sleeves (7/8" OD X 9/16" ID X 2.335" OAL)
8	Large plated Washers
4	90 Degree Zerk Fittings (self tapping)
4	Grease Packets
2	M14 x 1.50 Nyloc Nuts
2	M14 Washers
4	10-32 x 3/4" SHCS Bolts
4	10-32 Nyloc Nuts
8	Stainless 10-32 Washers
4	Abs Wire Clamps
2	9/16-18 x 4" 12pt Bolts
2	9/16-18 Stover Lock Nuts
2	9/16" SAE G8 Washers
2	1.25" x 9/16" Recessed Uniball Spacers (top)(#960097)
2	1.25" x 9/16" Tapered Uniball Spindle Spacers (bottom)(#960100)

### Lower Arm Hardware (1 Left Arm / 1 Right Arm)

---

4	Inner Pivot Uniball Spacers (long / 0.562" id)(rear mount)(#960083)
4	Inner Pivot Uniball Spacers (short / 0.755" id)(front mount)(#960035)
2	1/2-13 x 2.75" G8 Bolts
4	1/2" SAE G8 Washers
2	1/2-13 Stover Nuts

### Misc. Hardware & Components

---

2	1.25" LCA Uniball Spindle Adaptors
4	M16 x 1.50 x 40mm SHCS Bolts
2	1.25" x 5/8" Recessed Uniball Spacers (top)(#960098)
2	1.25" x 5/8" Mis-alignment Uniball Spacers (bottom)(#960101)
2	MS21250-10040 5/8" 12pt Bolts
2	5/8 SAE G8 Washers
2	5/8-18 Stover Lock Nuts (gold)
2	10" Limit Straps
2	Limit Strap Frame Tabs
4	1/2-13 x 1.25" G8 Bolts
8	1/2" SAE G8 Washers
4	1/2-13 Stover Nuts
1	Extended Front Brake Line Kit (#330004)
2	M16 x 1.5 Steering Extensions (#960092)
2	Upper Coilover Mounting Plates
4	Weld-on Res Mounts (small)
2	1/2-13 x 4.5" G8 Bolts
4	1/2" SAE G8 Washers
2	1/2-13 Stover Nuts
6	3/8-24 x 1" G8 Bolts
12	3/8" SAE G8 Washers
6	3/8-24 Stover Lock Nuts
4	8.5" Camburg Stickers

### Notes:

---

- 1) When installing lower arm spindle uniball adaptors, make sure the snap ring is facing up and spacers are fully seated into the arm prior to tightening.
- 2) Use red loctite on all spindle adaptor bolts and nuts. Torque 5/8" 12pt bolt to 165 ft/lbs.
- 3) We recommend running a 33"-35" tire on either a 16" or 17" rim with a maximum backspacing of 4.75"
- 4) We recommend using a 16" x 600# coil, on the correct Fox or King 8" travel shocks. Shocks must have a 90 degree fitting on the top cap, a raised lower spring seat and 1.25" shock spacers. If you're using this kit with a lift spindle we recommend using a lighter rate 500# coil.
- 5) We recommend using 2.0 x 2.5" bumpstops.
- 6) Fiberglass front fenders are required.