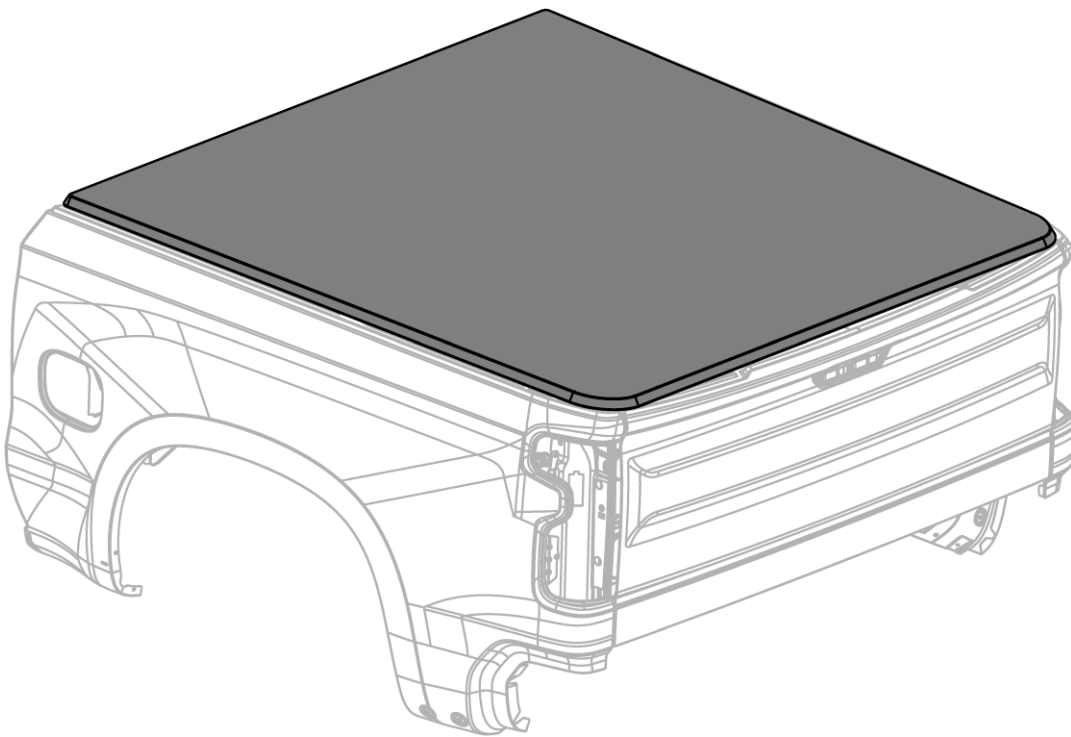


PROVEN GROUND



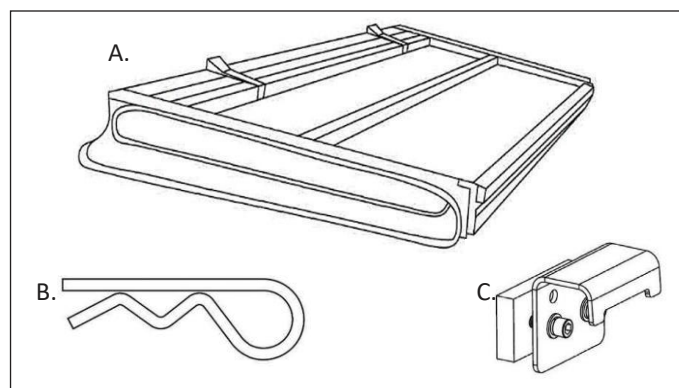
EZ Hard Fold Tonneau Cover



PARTS LIST

- A. Assembled Tri-fold Tonneau Cover - x1
- B. Safety Locking Pin - x2
- C. Clamp Assembly* - x4

* For trucks with Utility Track System.
Page 6 shows installation of clamp assembly.

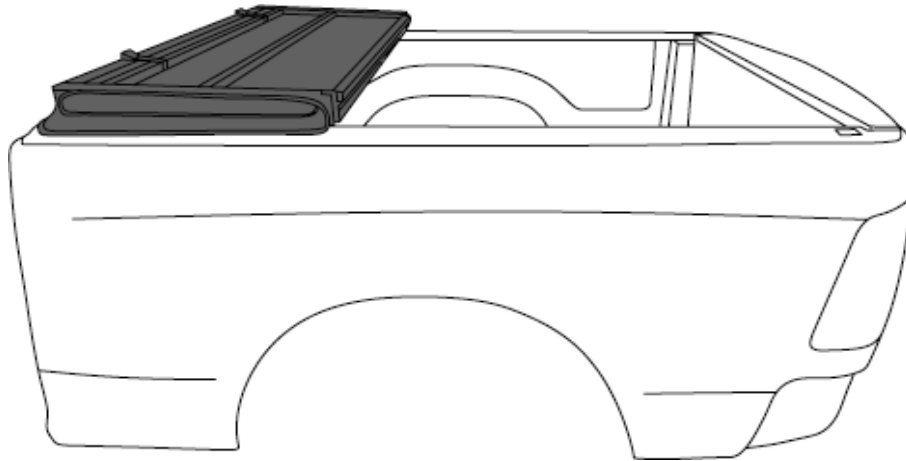


INSTALLATION

Check contents of carton with the list above. Clean truck bed thoroughly before installation.

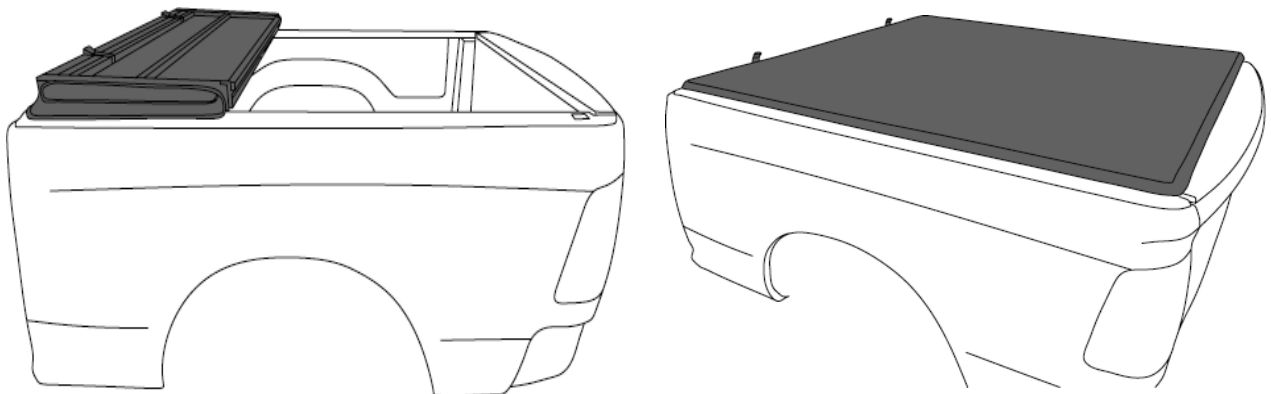
Step 1

Place assembled cover over cab front end of truck box.



Step 2

Unfold the cover fully and adjust position over the truck bed for proper alignment on cab/tail.

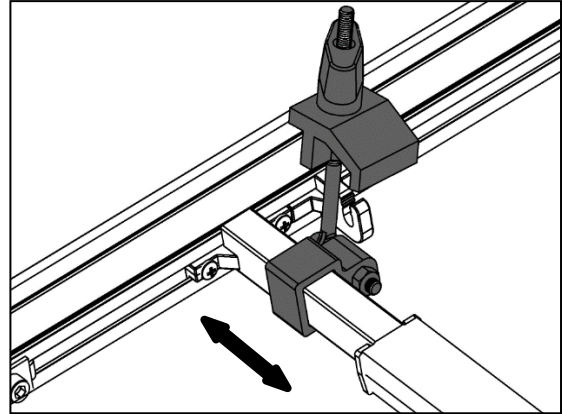
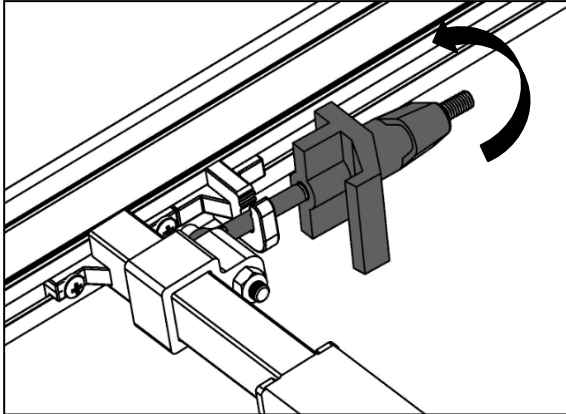


Step 3

Carefully refold the cover without shifting its position on the truck bed.

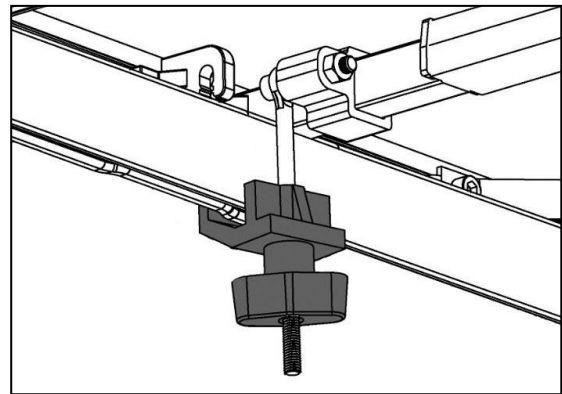
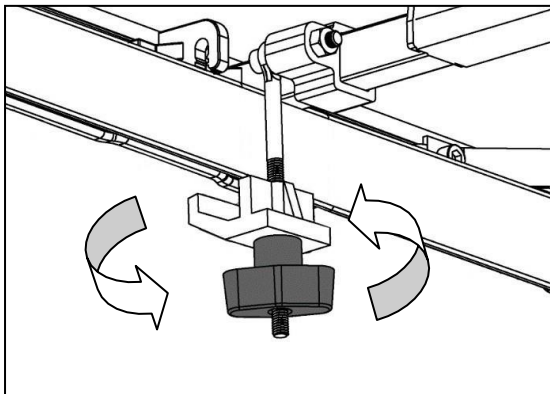
Step 4

Take off the clamp bolt from cover rail. Adjust the clamping bolt to proper position. Move the bolt base to secure position.



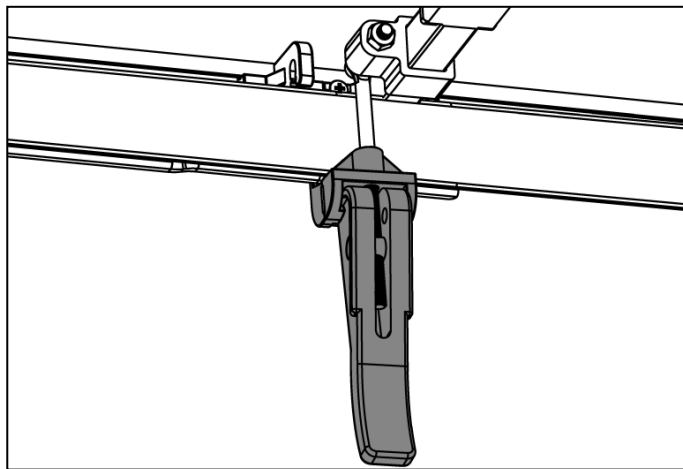
Step 5

Secure the Front Clamp Knobs (left and right) by pulling the clamp Knob down to clamp the metal bed wall edge of truck and screw on the knob to ensure the clamp is tightly clamped on the metal bed wall edge of truck. Do not secure to only lip of bedliner or rail cap.



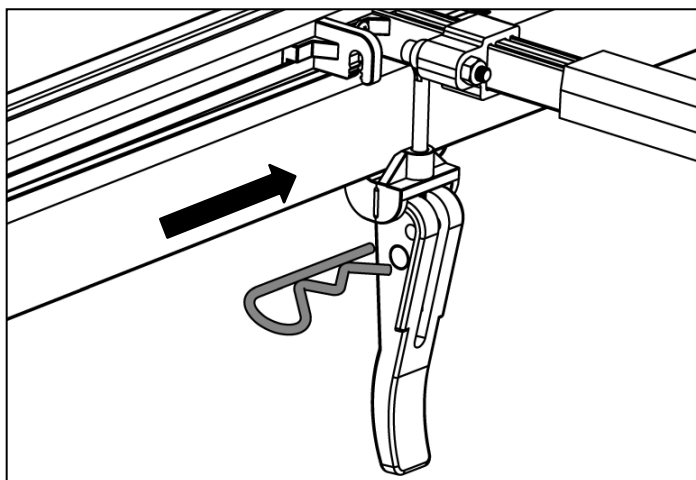
Step 6

Secure the Rear Clamps (left and right) by pulling the clamp handle down to clamp the metal bed wall edge of truck. Note: If necessary, adjust the clamp position by rotating the clamp on the bolt to ensure the clamp is tightly clamped on the metal bed wall edge of truck. Do not secure to only lip of bedliner or rail cap.



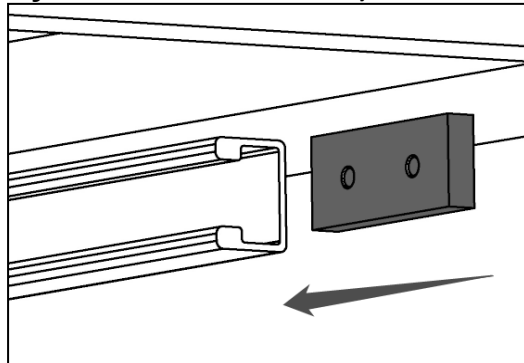
Step 7

Insert Safety Locking Pins into Rear clamps.

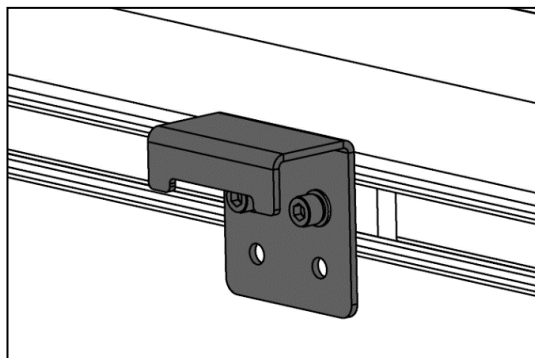


Nissan/Toyota/Jeep Trucks (with Utility Track Channel only)

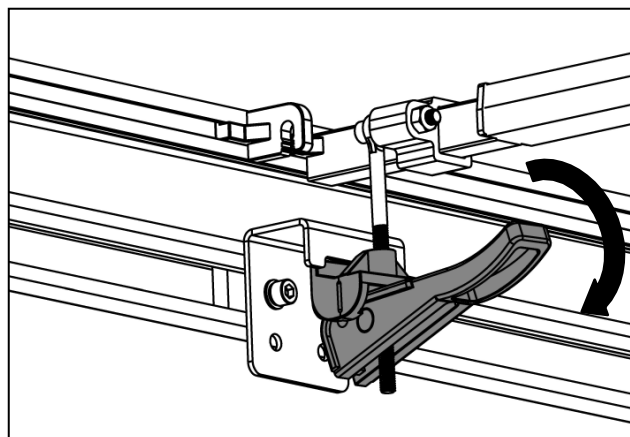
**Slide the retainer plates into the side channels on the vehicle bed.
(2 per side, 1 goes in front and 1 in back)*



**Attach the clamp bracket to the plate with the included (2) Allen head bolts.*



**Line the bracket up with the tri-fold cover clamp location once they are lined up. Secure bracket to the vehicle bed rail.*

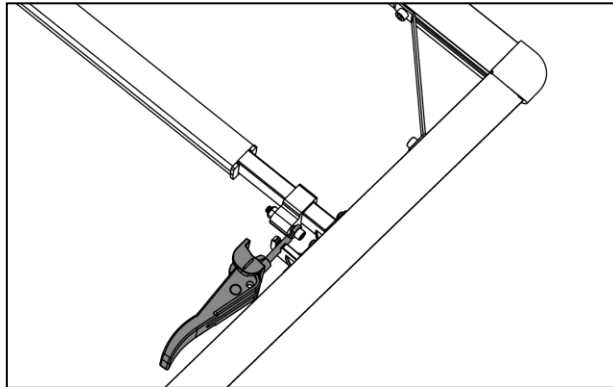


To Open the Cover

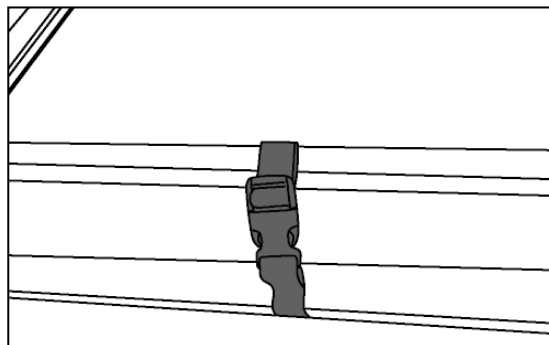
Release the rear clamps, fold the cover forward.

Note:

1) When folding the cover, make sure to lock the rear clamps into the Cover Side Rail.



2) With the cover completely folded, latch and then tighten the (2) retaining straps to secure the tonneau cover into the closed position.



Attention:

Do not operate the vehicle with the cover in partially opened position. While driving, the cover must be secured with 4 clamps or completely folded up and secured by front clamps and buckles.

CLEANING

Clean with cold water and a cloth. Do use a neutral soap and detergents. Do not expose to petrol, diesel, oils or chemicals of any nature.

WARNING

READ AND UNDERSTAND ALL INSTRUCTIONS. FAILURE TO FOLLOW ALL INSTRUCTIONS LISTED, FAIL TO READ MAY RESULT SERIOUS INJURY.

- **DO NOT CUT OR MODIFY THE TONNEAU COVER OR MOUNTING ACCESSORIES.**

- **DO NOT EXCEED THE VEHICLE MANUFACTURER'S WEIGHT LIMITS.**

- **DO NOT USE DAMAGED OR EXCESSIVELY WORN PRODUCTS. CONTACT US IF YOU ARE UNSURE.**

- **THE WARNINGS, CAUTIONS, AND INSTRUCTIONS DISCUSSED IN THIS INSTRUCTION MANUAL CANNOT COVER ALL POSSIBLE CONDITIONS OR SITUATIONS THAT COULD OCCUR. IT MUST BE UNDERSTOOD BY THE OPERATOR THAT COMMON SENSE AND CAUTION ARE FACTORS WHICH CANNOT BE BUILT INTO THIS PRODUCT, BUT MUST BE SUPPLIED BY THE OPERATOR.**

INSTALLATION PRECAUTIONS

- Follow DOT regulations regarding installation and use.
- Park truck on a flat, level, hard surface well away from traffic. Place transmission in park.
- Verify that installation surface has no hidden wires before drilling or driving screws.
- Install only according to these instructions. Improper installation can create hazards.
- Wear ANSI-approved safety goggles and heavy-duty work gloves during assembly and installation.
- Keep installation area clean and well lit.
- Keep bystanders out of the area during installation.
- Do not install when tired or when under the influence of drugs or medication.
- Weight capacity and other product capabilities apply to properly and completely installed product only.

USE PRECAUTIONS

- Do not exceed rated weight capacity of Tonneau Cover.
- Use as intended only.
- Inspect before every use; do not use if parts loosen or are damaged.
- This product is not a toy. Do not allow children to play with or near this item.
- Maintain product labels and nameplates. These carry important safety information.
- The warnings, precautions, and instructions discussed in this instruction manual cannot cover all possible conditions and situations that may occur. It must be understood by the operator that common sense and caution are factors which cannot be built into this product, but must be supplied by the operator.