



6-INCH RUNNING BOARDS

(2005-2023 TACOMA DOUBLE CAB)

INSTALLATION INSTRUCTIONS

CONTENTS

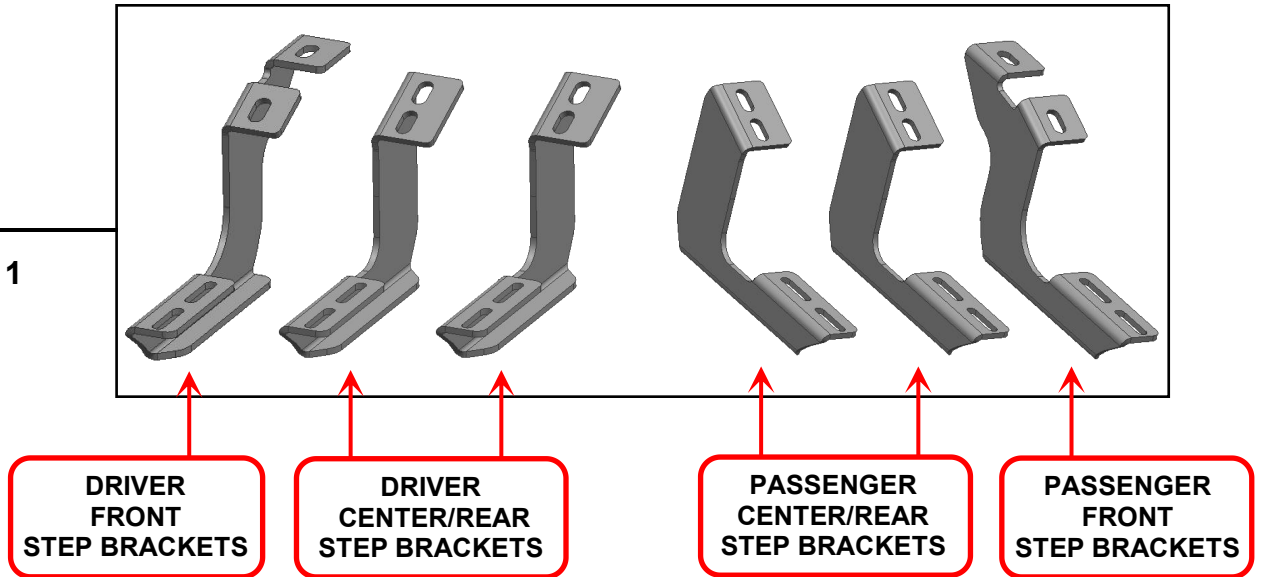
- (1) LH Running Board
- (1) RH Running Board
- (1) LH Front Step Bracket
- (1) RH Front Step Bracket
- (2) LH Center/Rear Step Brackets
- (2) RH Center/Rear Step Brackets
- (12) M8 x 30mm Hex Bolts
- (12) M8 x 24mm OD x 2mm Flat Washers
- (12) M8 Lock Washers
- (12) M8 x 25mm Combo Bolts

TOOLS REQUIRED

- 13mm Sockets
- Ratchet

SKU # TT40987
Edited:12/04/2023

STEP 1

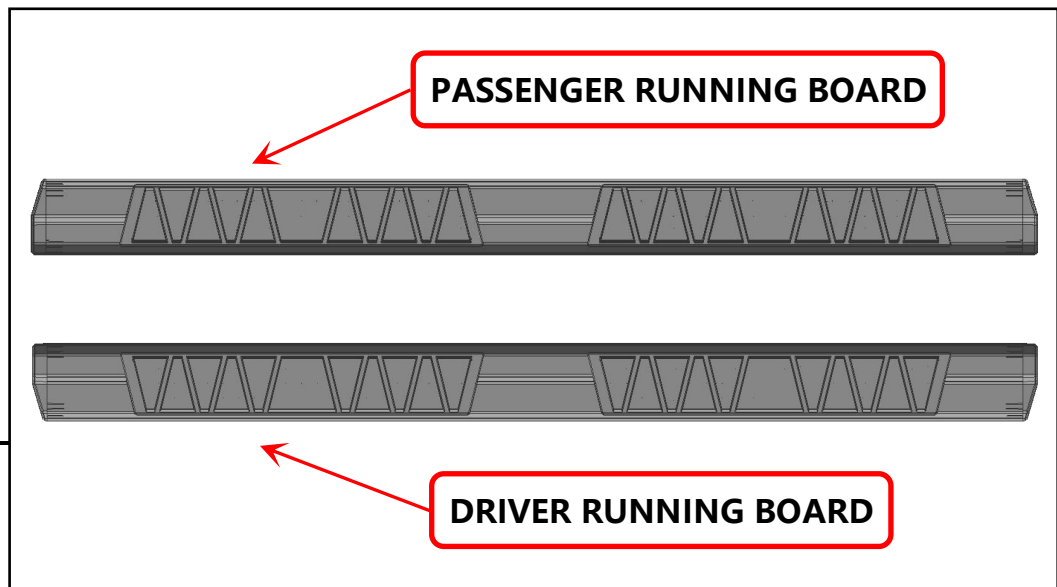


Please identify each mounting bracket using the engraved location identifier. **Notice: The center bracket and rear bracket are interchangeable.**

DF: Driver Front
DC: Driver Center
DR: Driver Rear

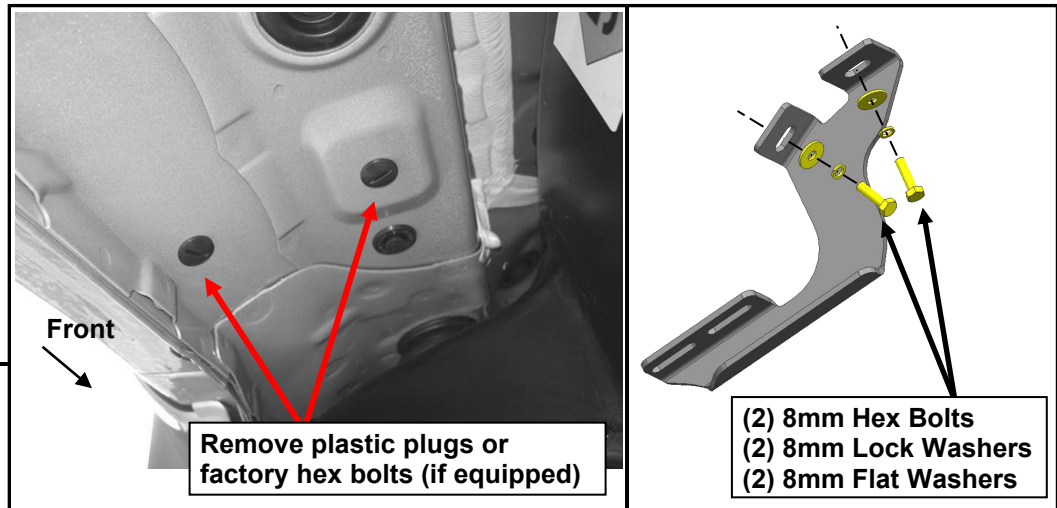
PF: Passenger Front
PC: Passenger Center
PR: Passenger Rear

STEP 2



Identify each side step by the front of the Running Board. **Notice: "D" for Driver/Left Side; "P" for Passenger/Right Side.**

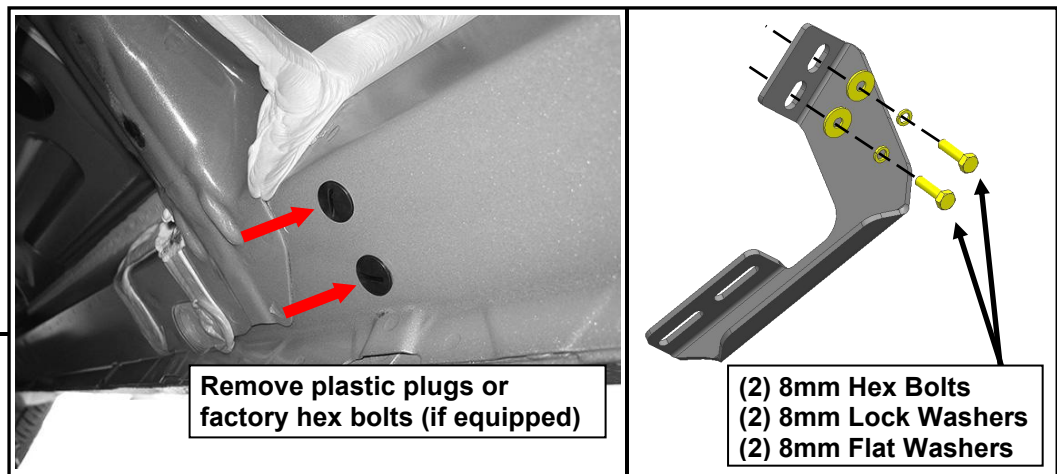
STEP 3



Start installation toward the front of the Driver/Left side of the vehicle.

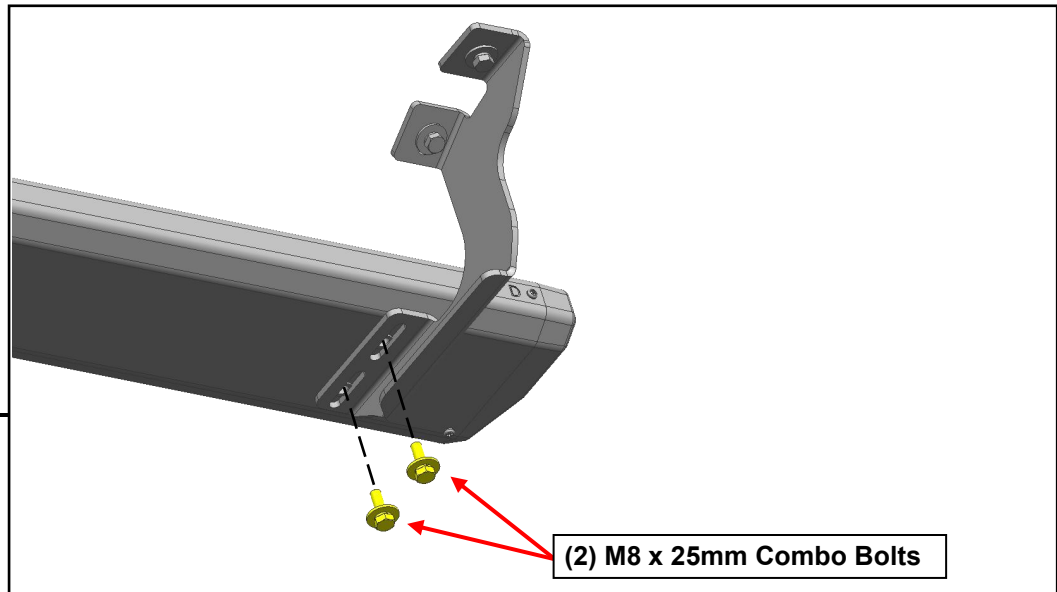
Remove the plastic plugs or hex bolts. Loosely fit the (1) Driver Front step bracket to the vehicle threaded body hole using (2) M8 x 30mm bolts, (2) M8 lock washers, and (2) M8 flat washers. Do not fully tighten to allow for later adjustments.

STEP 4



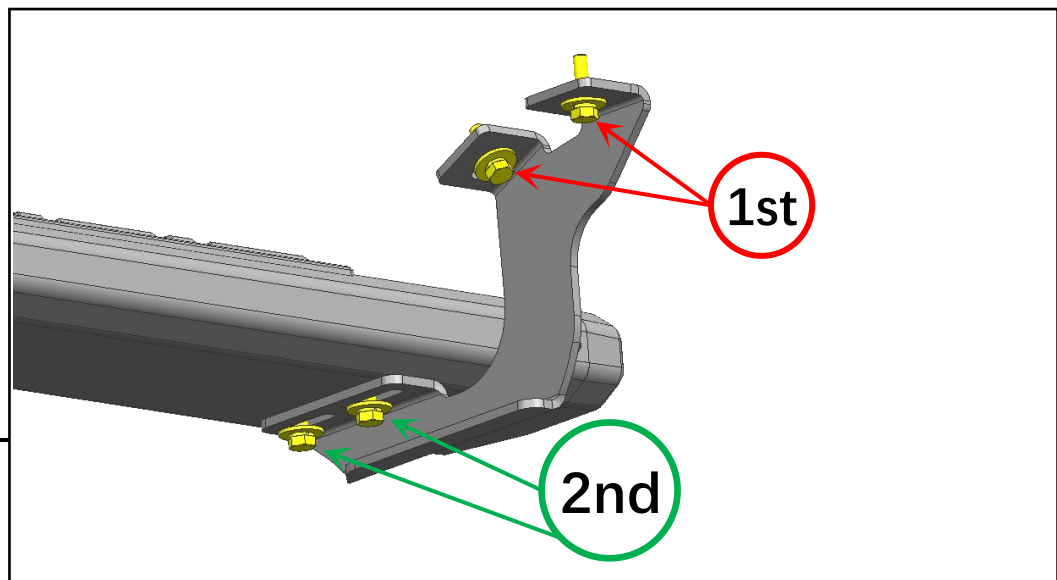
Remove the plastic plugs or hex bolts. Loosely fit the (1) Driver Center/Rear step bracket to the vehicle threaded body hole using (2) M8 x 30mm bolts, (2) M8 lock washers, and (2) M8 flat washers. Do not fully tighten to allow for later adjustments. Repeat this step for all Driver Center/Rear step brackets.

STEP 5



With all brackets loosely mounted to the vehicle, fit the Running Board onto the brackets, and loosely secure into place using (6) M8 x 25mm combo bolts.

STEP 6



Tighten the mounting brackets to the vehicle. Adjust the Running Board to the desired angle, and tighten the M8 combo bolts to secure the step into place. See photo for tightening order visual.

Repeat steps 1-6 for the remaining Running Board.

Installation is now complete.