

TEXTURE BLACK BEACON FRONT RUNNER GRILLE GUARD WITH 20"LED LIGHT FOR 16-23 TOYOTA
TACOMA (WITH SENSORS RELOCATION) (MODULAR TYPE)



TEL: 1-866-XANATOS

INSTALLATION INSTRUCTIONS

**TEXTURE BLACK BEACON FRONT RUNNER GRILLE GUARD WITH
20"LED LIGHT FOR 16-23 TOYOTA TACOMA (WITH SENSORS
RELOCATION) (MODULAR TYPE)**

PART # BFRT01

PROTECTED BY ONE OR MORE PATENT




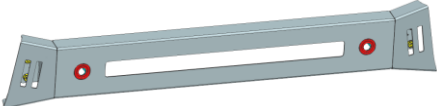
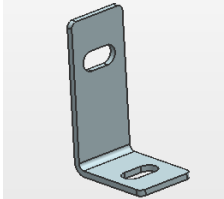
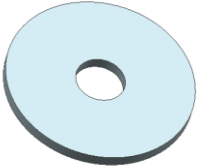
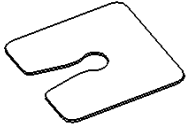
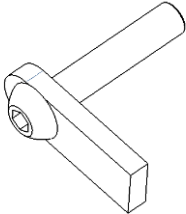
Before Installation

- Please read the instruction completely for easy installation, which will also help you to avoid scratches or other potential damages to your appealing car.
- The figures here are for reference only and may have differences with the actual product you received, however they share the same assembly way.


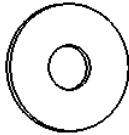
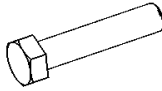
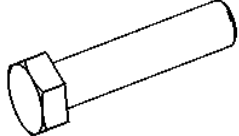


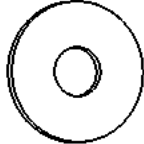
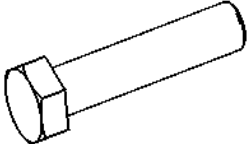

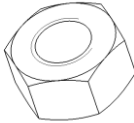

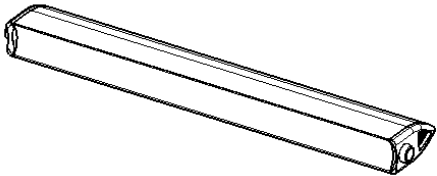
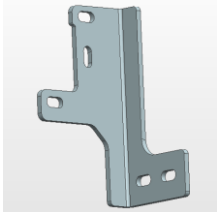
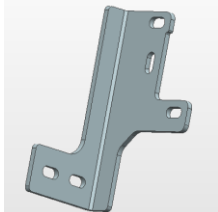
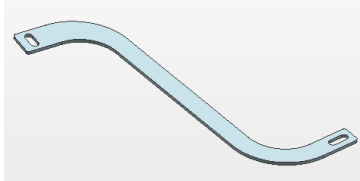

Care and Cleaning

- Mild soap may be used also to clean the Product.
- Please periodically check and retighten all the hardware and clean the investment for a refresh look.



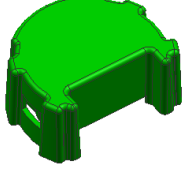

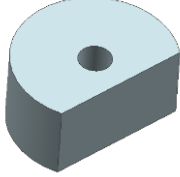
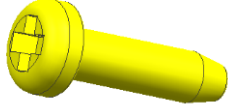
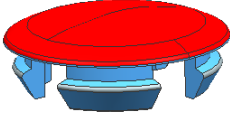
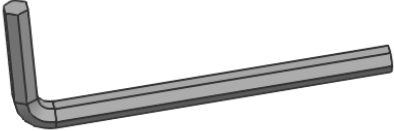
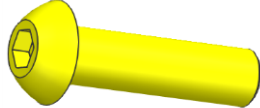

Parts list

NO.	QTY	PIC	NO.	QTY	PIC
①	1	 Main tube (Middle)	②	1	 Main tube (L)
③	1	 Main tube (R)	④	1	 Lamp frame
⑤	2	 Lamp bracket	⑥	4	 Plate (φ48 40mm)
⑦	2	 M8 Plastic retainer	⑧	2	 T Bolt M8

TEXTURE BLACK BEACON FRONT RUNNER GRILLE GUARD WITH 20"LED LIGHT FOR 16-23 TOYOTA TACOMA (WITH SENSORS RELOCATION) (MODULAR TYPE)

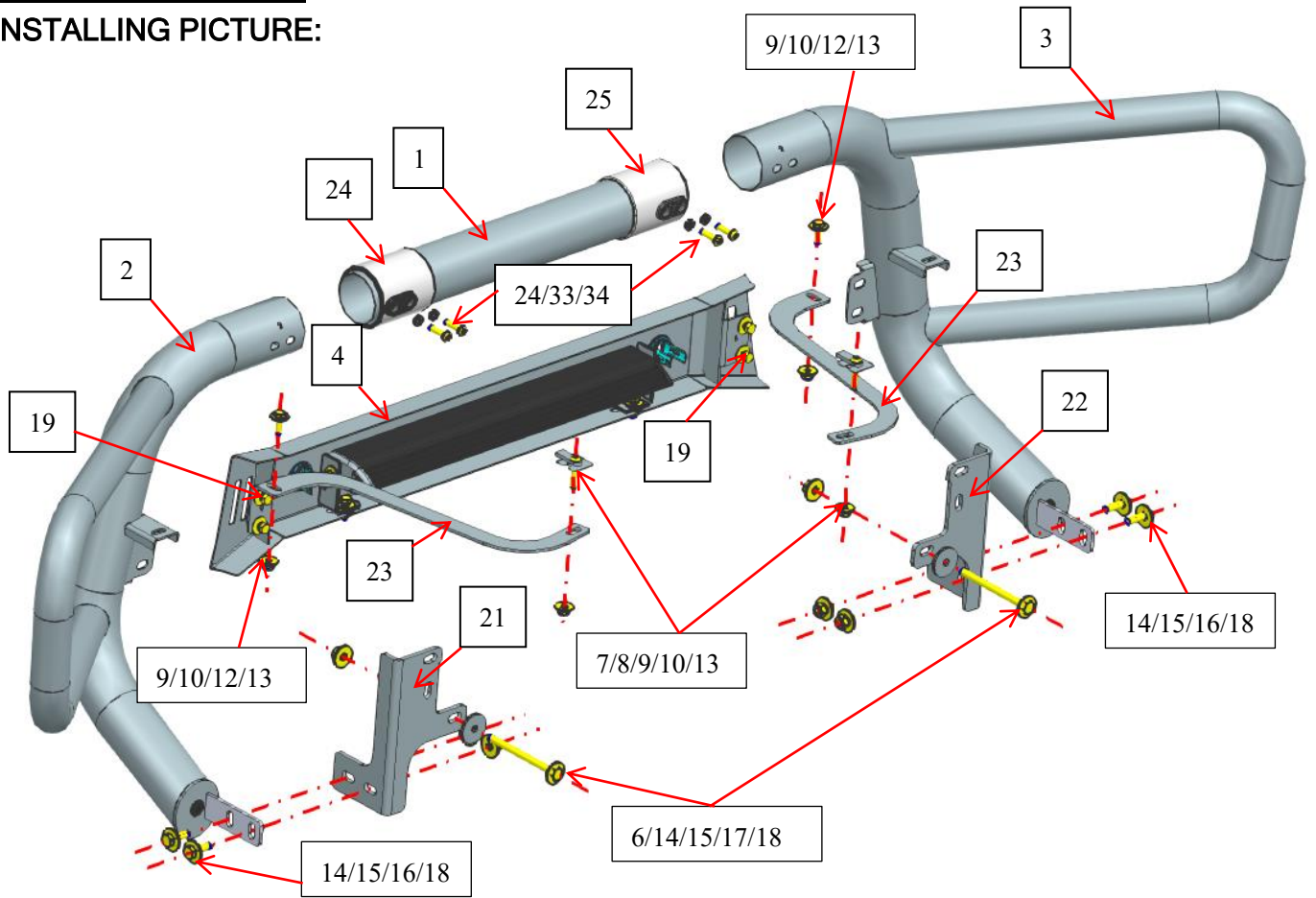
<p>⑨</p> <p>8</p>	 <p>Lock washer D8</p>		<p>⑩</p> <p>12</p>	 <p>Flat washer D8 (8x24x2mm)</p>
<p>⑪</p> <p>2</p>	 <p>Hex nut M8_16</p>		<p>⑫</p> <p>4</p>	 <p>Hex nut M8_25</p>
<p>⑬</p> <p>6</p>	 <p>Hex Nut M8</p>		<p>⑭</p> <p>6</p>	 <p>Lock washer D10</p>
<p>⑮</p> <p>12</p>	 <p>Flat washer D10 (10x30x2.5mm)</p>		<p>⑯</p> <p>4</p>	 <p>Hex nut M10_30</p>
<p>⑰</p> <p>2</p>	 <p>Hex nut M10_120</p>		<p>⑱</p> <p>6</p>	 <p>Hex Nut M10</p>
<p>⑲</p> <p>4</p>	 <p>Hex bolt assembly M8_25</p>		<p>⑳</p> <p>1</p>	 <p>20-inch Length lamp</p>
<p>㉑</p> <p>1</p>	 <p>Bracket (L)</p>		<p>㉒</p> <p>1</p>	 <p>Bracket (R)</p>
<p>㉓</p> <p>2</p>	 <p>Brace bracket</p>		<p>㉔</p> <p>1</p>	 <p>Main tube gum cover (L)</p>

TEXTURE BLACK BEACON FRONT RUNNER GRILLE GUARD WITH 20"LED LIGHT FOR 16-23 TOYOTA TACOMA (WITH SENSORS RELOCATION) (MODULAR TYPE)

25	1	 Main tube gum cover (R)	26	4	 Sleeve
Standard parts for radar:					
27	2	 Press cover	28	2	 Circular glue
29	2	 Semi-circular glue	30	4	 Cross slot bolt ST4_15
31	2	 Radar cover			
Standard parts for main tube gum cover:					
32	1	 Allen wrench S=5	33	4	 Button head bolt M8_30
34	4	 Lock washer D8			

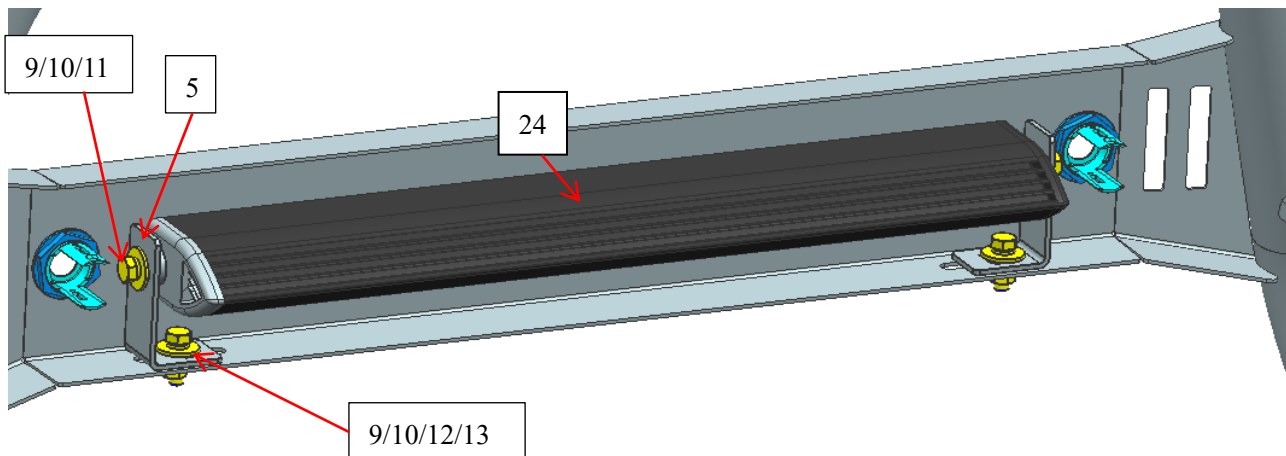
Installation Steps

INSTALLING PICTURE:



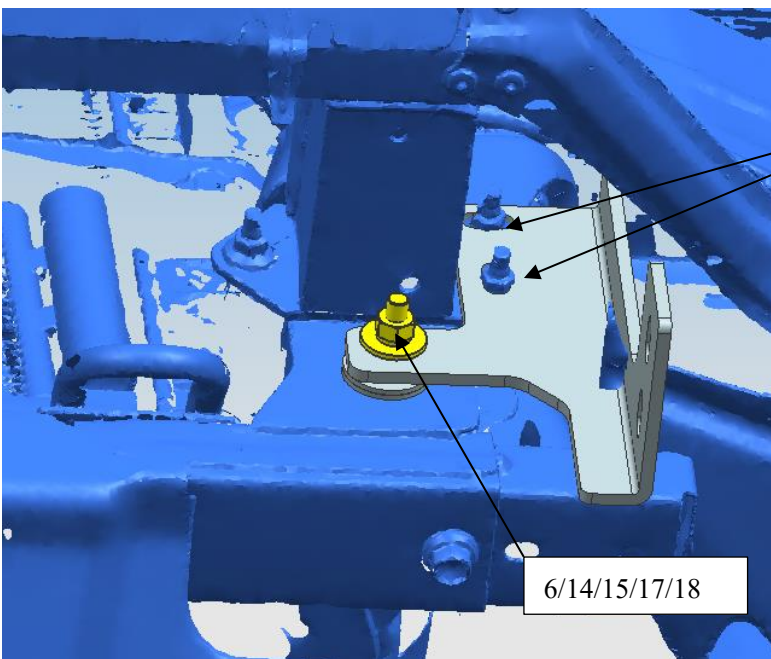
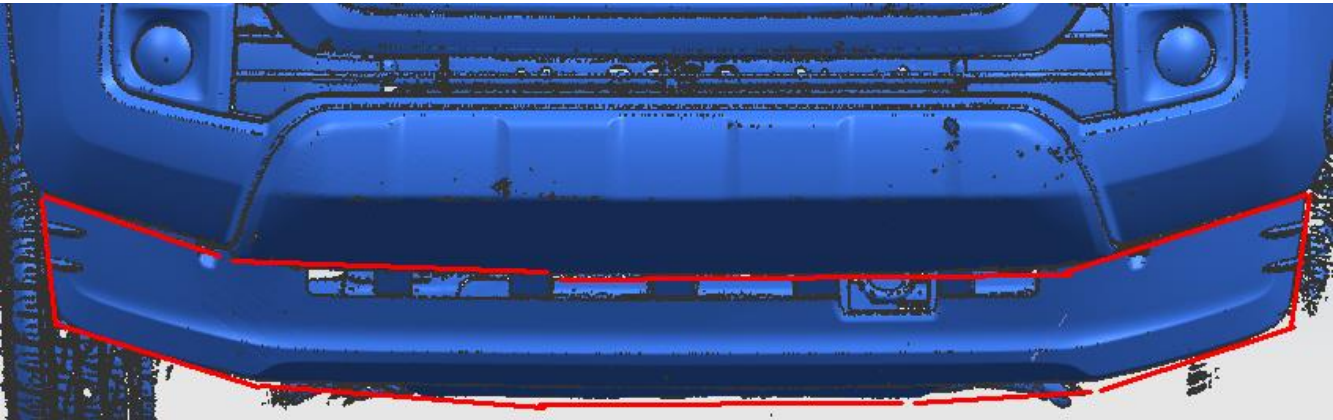
Step 1: Verify that all parts are present according to the manual.

Step 2: Before installation, use the standard parts and the lamp bracket to install 20-inch Length lamp in the bar.



TEXTURE BLACK BEACON FRONT RUNNER GRILLE GUARD WITH 20"LED LIGHT FOR 16-23 TOYOTA TACOMA (WITH SENSORS RELOCATION) (MODULAR TYPE)

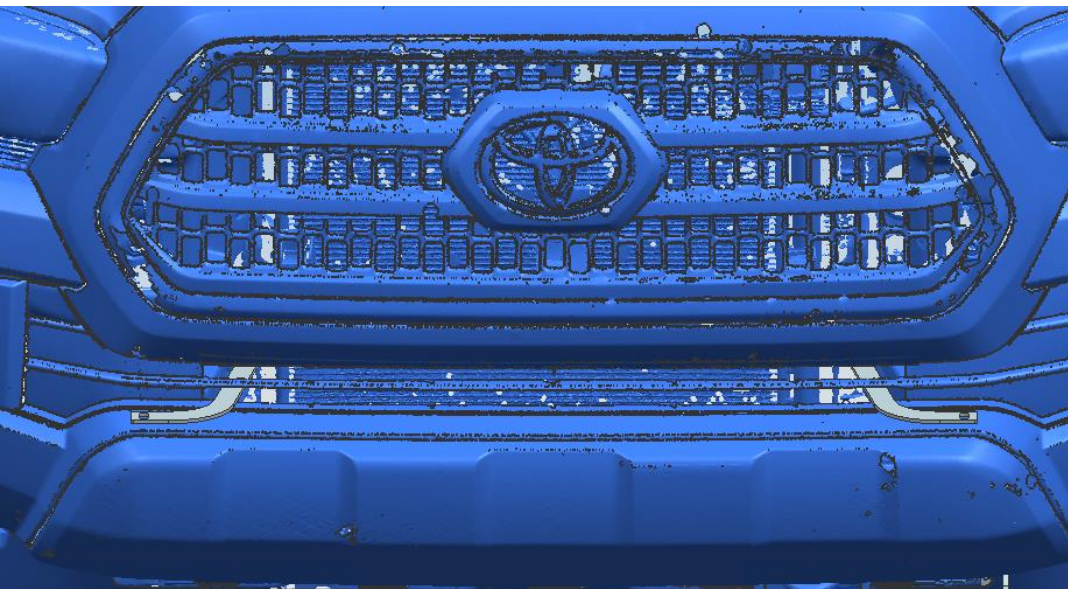
Step 3: Remove the lower factory splash guard before install brackets. Use standard parts and the original standard parts to fasten the left and right brackets on the girder.



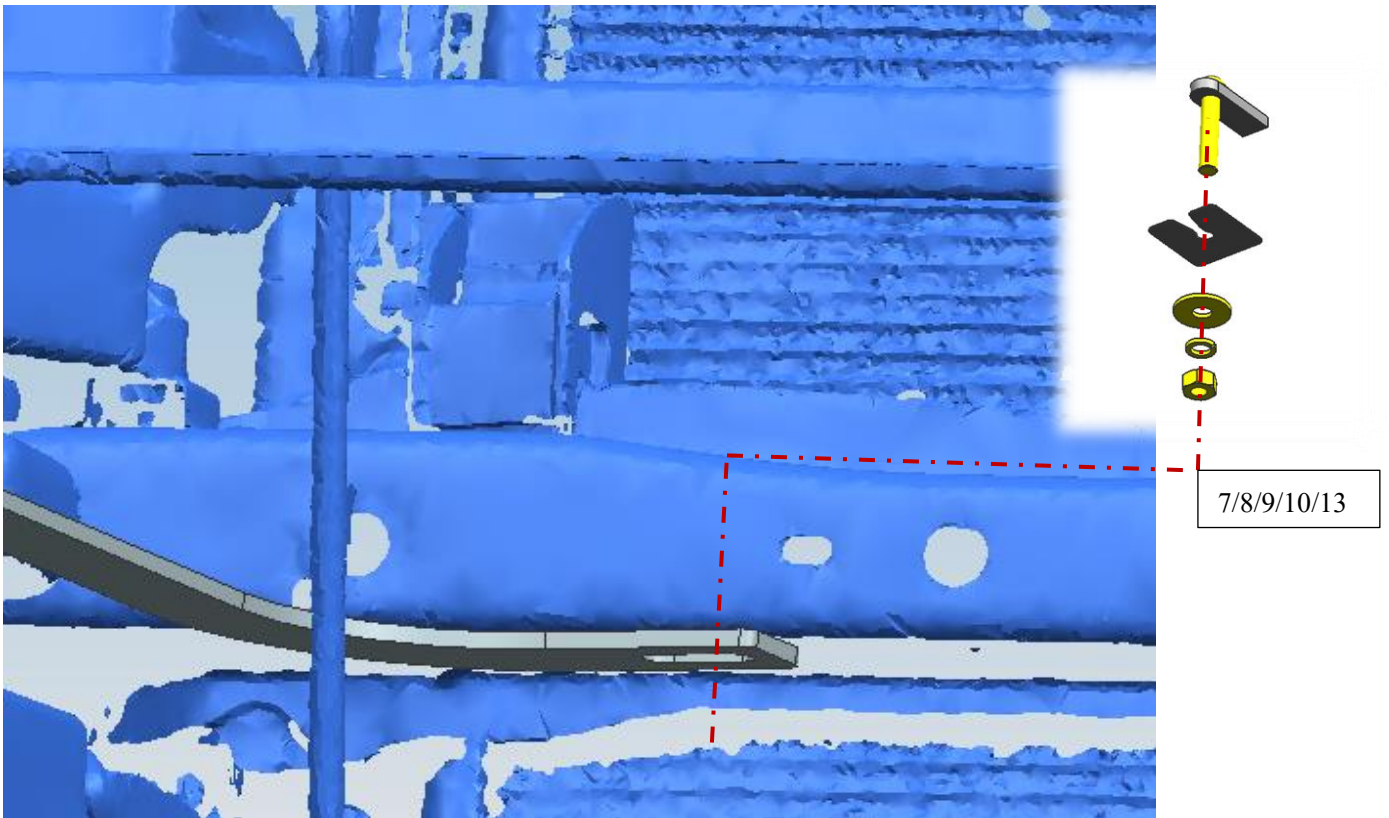
Use original bolts and nuts to install

6/14/15/17/18

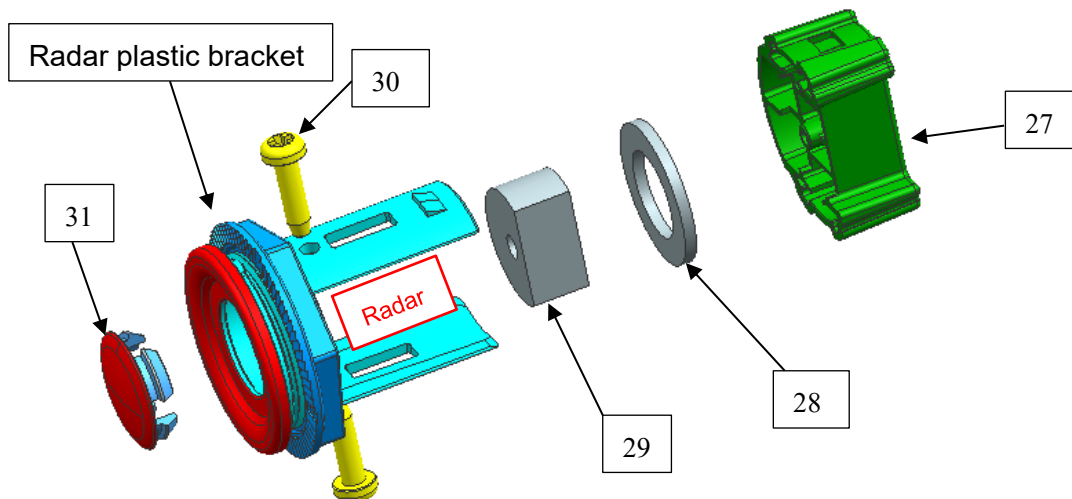
Step 4: Use T Bolt M8, M8 Plastic retainer and other standard parts to install Brace brackets on the girder as the below shown.



TEXTURE BLACK BEACON FRONT RUNNER GRILLE GUARD WITH 20"LED LIGHT FOR 16-23 TOYOTA TACOMA (WITH SENSORS RELOCATION) (MODULAR TYPE)



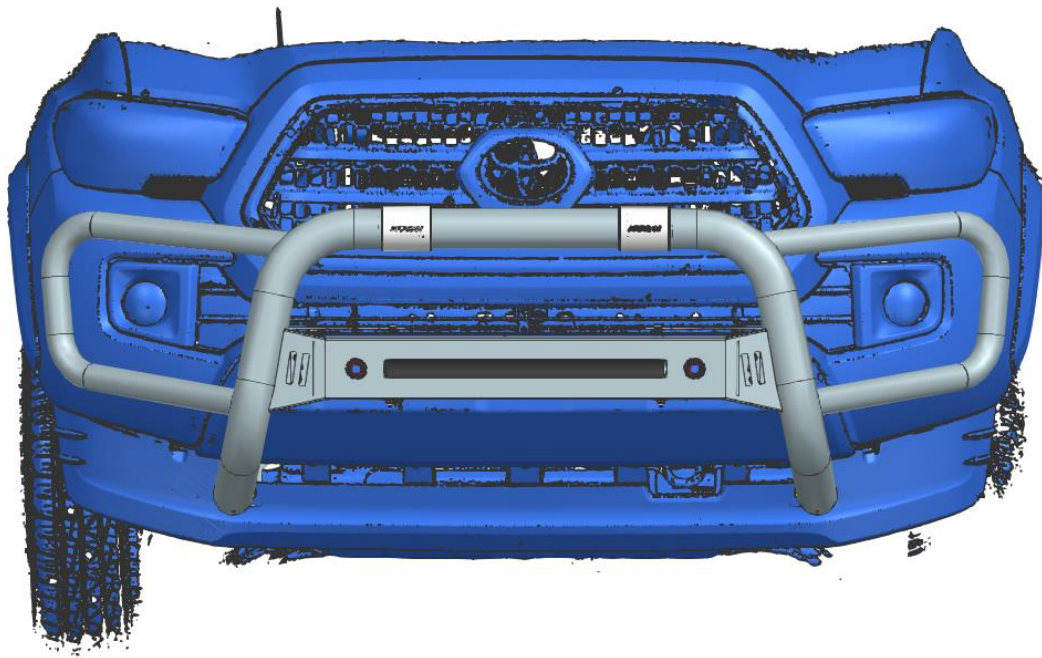
Step 5: Find out the inner radar plastic bracket from the front runner. Then fasten the original radar on the front runner as the below shown.



Step 6: Use standard parts to install the front runner with brackets and Brace brackets as the INSTALLING PICTURE shown.

TEXTURE BLACK BEACON FRONT RUNNER GRILLE GUARD WITH 20"LED LIGHT FOR 16-23 TOYOTA
TACOMA (WITH SENSORS RELOCATION) (MODULAR TYPE)

Step 7: Installation is finished, pick up all tools.



NOTE

Any damages and losses caused by improper installation and application, goes beyond our quality warranty.