

BARRICADE

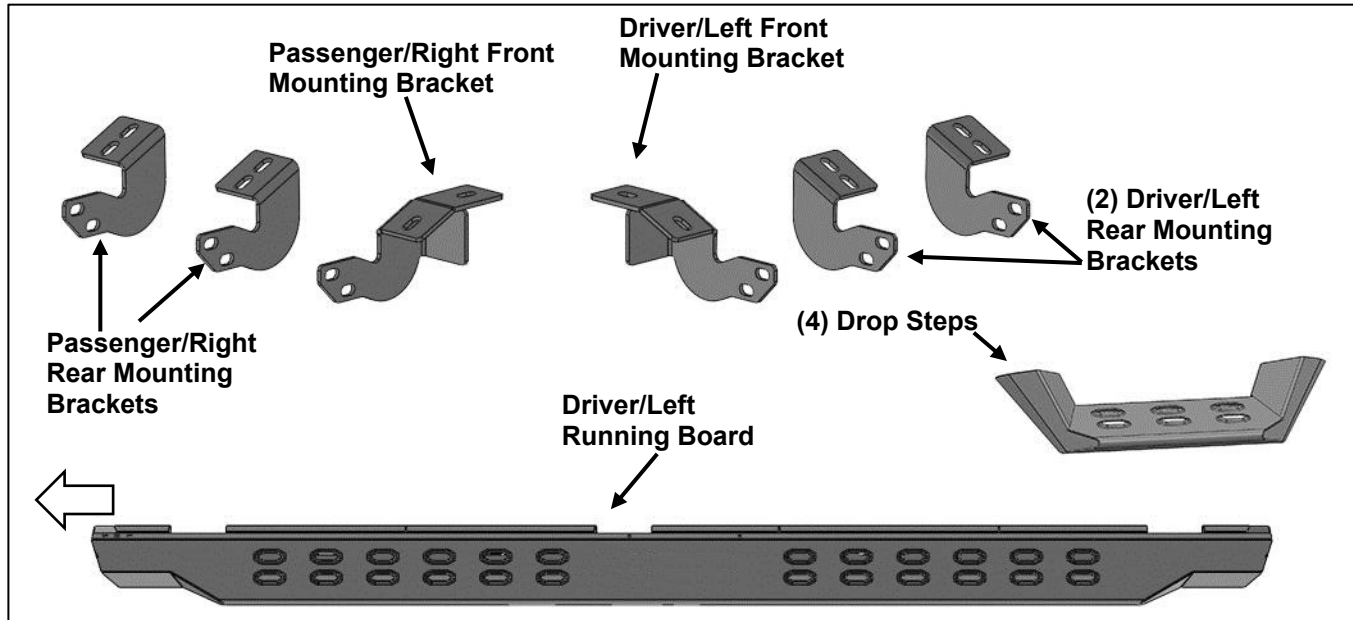
**INSTALLATION INSTRUCTIONS
HD OVERLAND DROP SIDE STEP BARS**

2005-2023 TACOMA - DOUBLE CAB

SKU # TT30640

PARTS LIST:

1	Driver/Left Tube	24	10mm x 20mm OD x 2mm Flat Washers
1	Passenger/Right Tube	12	10mm Nylon Lock Nuts
4	Drop Steps	8	8mm x 25mm Triangle Double Bolt Plates
1	Driver/Left Front Mounting Bracket	12	8mm x 30mm Hex Bolts
1	Passenger/Right Front Mounting Bracket	12	8mm x 24mm OD x 2mm Flat Washers
2	Driver/Left Rear Mounting Brackets	16	8mm x 22mm OD x 2mm Flat Washers
2	Passenger/Right Rear Mounting Brackets	12	8mm Lock Washers
12	10mm x 30mm Hex Bolts	16	8mm Nylon Lock Nuts

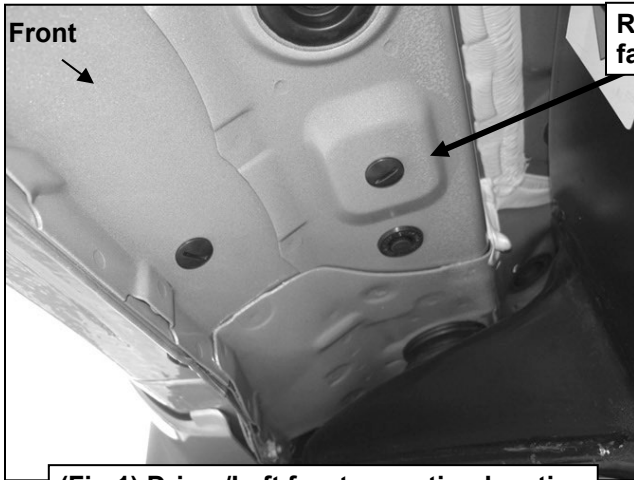


PROCEDURE:

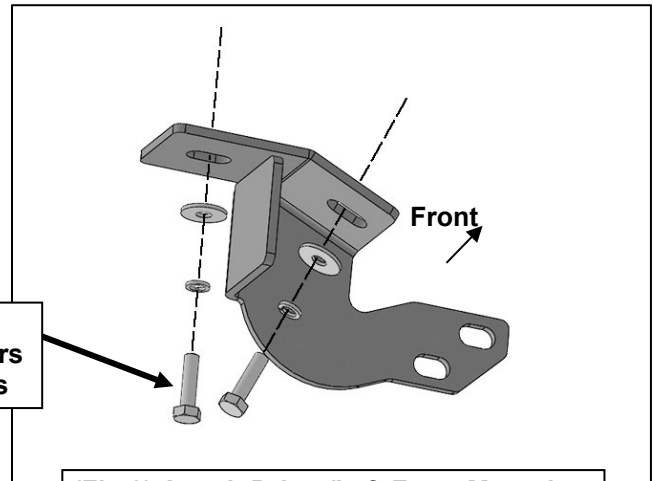
1. REMOVE CONTENTS FROM BOX. VERIFY ALL PARTS ARE PRESENT. READ INSTRUCTIONS CAREFULLY. USE ILLUSTRATION TO IDENTIFY BRACKETS.
2. Starting on the Driver/Left front of the vehicle, remove the plastic plugs, (or hex bolts), covering the threaded holes in the body panel, **(Figure 1)**. Select the Driver/Left Front Mounting Bracket. Attach the Bracket to the vehicle with (2) 8mm Hex Bolts, (2) 8mm Lock Washers and (2) 8mm Flat Washers, **(Figure 2)**. Do not tighten hardware.
3. Move along the body panel to the center mounting location. Select (1) Driver/Left Rear Mounting Bracket. Repeat **Step 2** to install the Mounting Bracket, **(Figures 3 & 4)**. Do not tighten hardware.
4. Continue to the last mounting location at the back of the cab, **(Figure 5)**. Select the remaining (1) Driver/Left Rear Mounting Bracket. Repeat **Step 2** to attach the Bracket to the rear mounting location. Do not tighten hardware.
5. Select the Driver/Left Tube. Insert (2) 8mm Triangle Double Bolt Plates into the front (2) sets of (2) holes, **(Figure 6)**. Attach (1) Drop Step to the (2) Double Bolt Plates with (4) 8mm x 22mm Flat Washers and (4) 8mm Nylon Lock Nuts, **(Figure 7)**. Do not tighten hardware.
6. With assistance, line up the mounting tabs in the Driver/Left Tube to the rear faces of the Mounting Brackets. Secure the Tube to the Mounting Brackets with (6) 10mm Hex Bolts, (12) 10mm x 20mm Flat Washers and (6) 10mm Nylon Lock Nuts, **(Figure 8)**. Do not tighten hardware.
7. Level and adjust the Overland Step, then tighten all hardware.
8. Repeat **Steps 1—7** to attach the Passenger/Right Overland Step.
9. Do periodic inspections to the installation to make sure that all hardware is secure and tight.

To protect your investment: Do not use any type of polish or wax that may contain abrasives that could damage the finish. Mild soap may be used to clean the Overland Steps.

Driver Side Installation Pictured



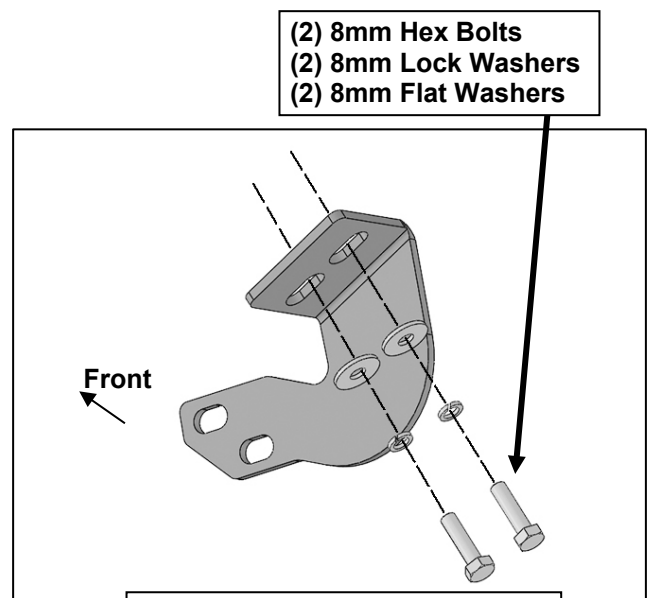
(Fig 1) Driver/Left front mounting location



(Fig 2) Attach Driver/Left Front Mounting Bracket to the front mounting location

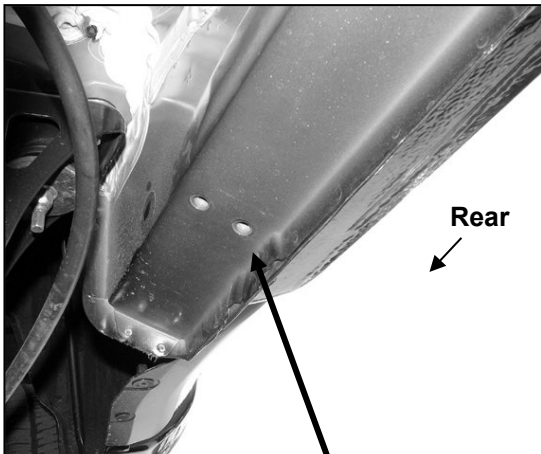


(Fig 3) Driver/Left center mounting location



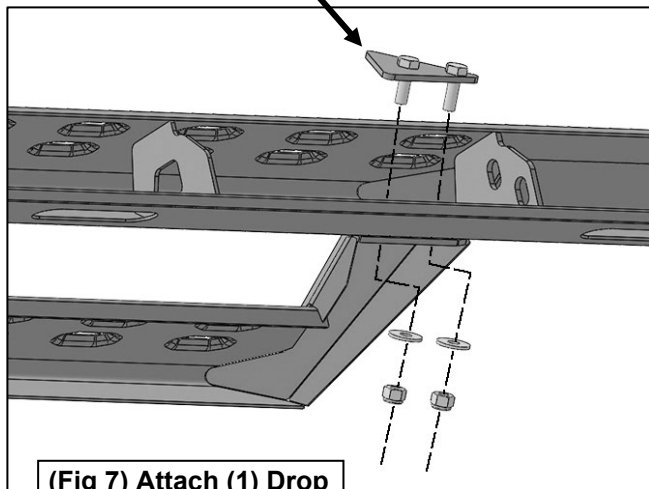
(Fig 4) Attach Driver/Left Rear Mounting Brackets to the center and rear mounting locations

Driver Side Installation Pictured

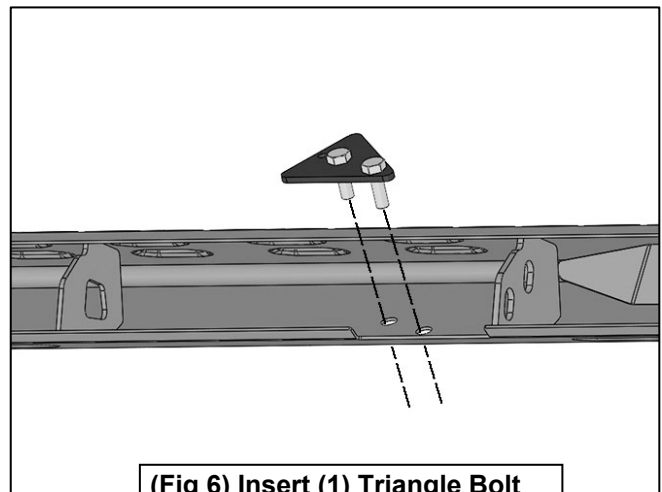


(Fig 5) Driver/Left rear mounting location

- 8mm Triangle Bolt Plate
- (2) 8mm Flat Washers
- (2) 8mm Nylon Lock Nuts

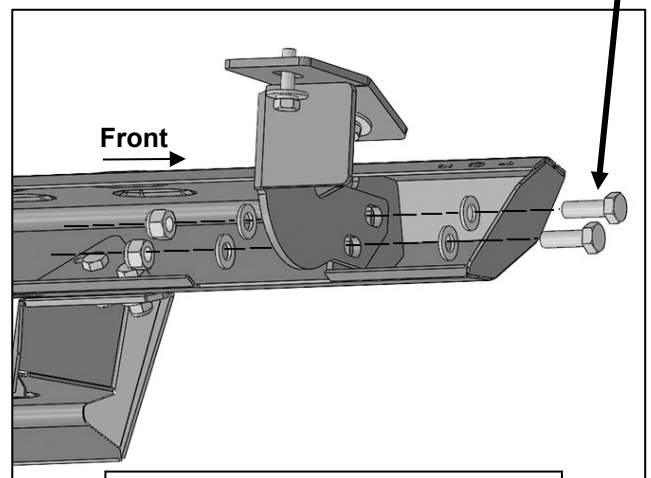


(Fig 7) Attach (1) Drop Step to (2) Bolt Plates



(Fig 6) Insert (1) Triangle Bolt Plate into the holes in the Tube

- (2) 10mm Hex Bolts
- (4) 10mm Flat Washers
- (2) 10mm Nylon Lock Nuts



(Fig 8) Attach Driver/Left Running Board to the Mounting Brackets