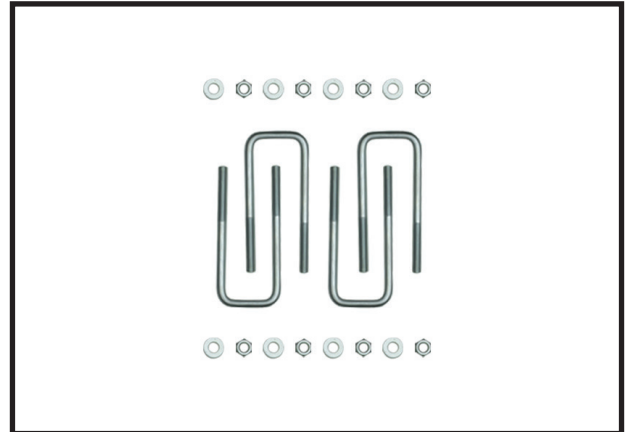


7929 Lincoln Ave. Riverside, CA 92504
 Phone: 951.689.ICON | Fax: 951.689.1016

PART #	DESCRIPTION
52050	TOYOTA REAR 8.0" U-BOLT KIT

COMPONENTS INCLUDED	
N/A	
HARDWARE INCLUDED	
(4) 159689 8.0" SQ TOP UBOLT 9/16-18 W/NUTS /WASHERS/TACO/TUNDRA/COLORADO	
TOOLS REQUIRED	
JACK JACK STANDS TORQUE WRENCH	7/8" SOCKET / WRENCH 19MM SOCKET / WRENCH
TECH NOTES	
N/A	



WARNING!
<p>** READ ALL INSTRUCTIONS THOROUGHLY FROM START TO FINISH BEFORE BEGINNING INSTALLATION! IF THESE INSTRUCTIONS ARE NOT PROPERLY FOLLOWED SEVERE FRAME, SUSPENSION AND TIRE DAMAGE MAY RESULT TO THE VEHICLE!</p> <p>** ICON VEHICLE DYNAMICS RECOMMENDS THAT YOU EXERCISE EXTREME CAUTION WHEN WORKING UNDER A VEHICLE THAT IS SUPPORTED WITH JACK STANDS.</p> <p>** ICON VEHICLE DYNAMICS RECOMMENDS ALL INSTALLATION TO BE PERFORMED BY A PROFESSIONAL SHOP/SERVICE TECHNICIAN. PRODUCT FAILURE CAUSED BY IMPROPER INSTALLATION WILL NOT BE COVERED UNDER ICON'S WARRANTY POLICY.</p>

INSTALLATION

- Using a properly rated jack, raise the rear of the vehicle and support the frame rails with jack stands. Ensure the jack stands are secure and set properly before lowering the jack. NEVER WORK UNDER AN UNSUPPORTED VEHICLE. Remove the rear wheels.
- Remove the lower rear shock bolts using a 19mm socket/wrench.
- Use a jack to support the axle then loosen and remove the driver side U-bolts using a 19mm socket/wrench. Make sure the axle is well supported or it could fall when the U-bolts are removed.
- Slowly lower the axle away from the springs. Make desired changes to leaf spring. Refer to leaf spring install instructions.
- Use a jack to raise the axle and guide the spring center pin into the hole on the top of the axle. Install supplied U-bolts washers and nuts using a 7/8" socket/wrench. [Torque to 90ft-lbs]
- Repeat steps 2-5 on opposite side of the vehicle.
- Reinstall shock to the factory lower shock mount using a 19mm socket/wrench. [Torque to factory spec]
- Reinstall wheels and lower to the ground. [Torque to factory spec]

VERIFY ALL FASTENERS ARE PROPERLY TORQUED BEFORE DRIVING VEHICLE.

RETORQUE ALL NUTS, BOLTS AND LUGS AFTER 100 MILES AND PERIODICALLY THEREAFTER.

ICON VEHICLE DYNAMICS LIMITED LIFETIME WARRANTY

ICON Vehicle Dynamics warrants to the original retail purchaser who owns the vehicle on which the product was originally installed. ICON Vehicle Dynamics does not warrant the product for finish, alterations, modifications and/or installation contrary to ICON Vehicle Dynamics instructions. ICON Vehicle Dynamics products are not designed, nor are they intended to be installed on vehicles used in race applications, for racing purposes or for similar activities. (A "race" is defined as any contest between two or more vehicles, or a contest of one or more vehicles against the clock, whether or not such contest is for a prize). This warranty does not include coverage for police or taxi vehicles, race vehicles, or vehicles used for government or commercial purposes. Also excluded from this warranty are sales outside of the United States of America and Canada.

ICON Vehicle Dynamics' obligation under this warranty is limited to the repair or replacement, at ICON Vehicle Dynamics' discretion, of the defective product. Any and all costs of removal, installation or re-installation, freight charges and incidental or consequential damages are expressly excluded from this warranty. Items that are subject to wear are not considered defective when worn and are not covered.

ICON Vehicle Dynamics components must be installed as a complete kit as shown in our current application guide. Any substitutions or exemptions of required components will immediately void the warranty. Some finish damage may happen to parts during shipping and is not covered under warranty.

This warranty is expressly in lieu of all other warranties expressed or implied. This warranty shall not apply to any product that has been improperly installed, modified or customized subject to accident, negligence, abuse or misuse.



ICON VEHICLE DYNAMICS®
PERFORMANCE SUSPENSION SYSTEMS AND SHOCK ABSORBERS

7929 Lincoln Ave. Riverside, CA 92504 Phone: 951.689.ICON Fax: 951.689.1016
www.iconvehicledynamics.com



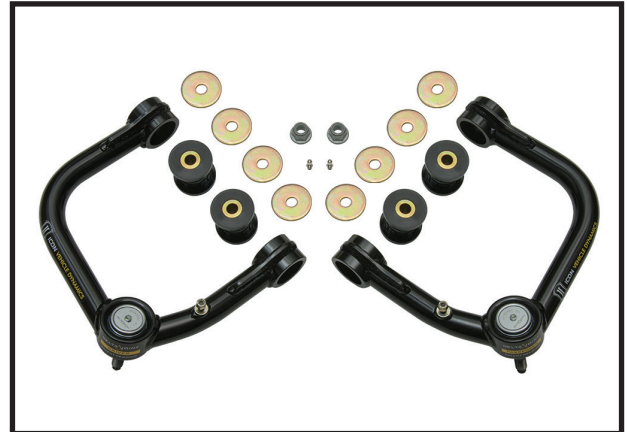
FOLLOW US ON FACEBOOK!



7929 Lincoln Ave. Riverside, CA 92504
Phone: 951.689.ICON | Fax: 951.689.1016

PART #	DESCRIPTION
58450DJ	05-UP TACOMA TUBULAR UCA DJ KIT

COMPONENTS INCLUDED	
(1) 154100 05+ TACOMA/07+ FJ TUBULAR UCA (DRVR)	(1) 154101 05+ TACOMA/07+ FJ TUBULAR UCA (PASS)
HARDWARE INCLUDED	
(8) 150025 WASHER 2.125 X .565 X .188 (2) 157517BJ 05-UP TACO/07-UP TUNDRA/16-UP TITAN XD DELTA JOINT (4) 159207 SLEEVE 1.000 X .563 X 2.060 (8) 297034 HAT BUSHING 1.625 X 1.000 X .850 (4) 297042 POLY RING 1.590 X 1.005 X .250 (75D) (4) 605053 1/4 FLAT WASHER	(2) 605800 M6-1.0 FLANGE NUT (4) 605813 M14 FLAT WASHER (2) 605862 M6-1.0 25MM STUD (4) 605903 1/4-28 X 90 DEG STEEL ZERK FITTING (2) 605950 WHT-200 SPIRAL RET RING
TOOLS REQUIRED	
JACK JACK STANDS LARGE HAMMER TORQUE WRENCH NEEDLE NOSE PLIERS	7/64" ALLEN WRENCH 10MM SOCKET / WRENCH 19MM SOCKET / WRENCH 21MM SOCKET / WRENCH 3/8" SOCKET / WRENCH
TECH NOTES	
<p>1. ICON DELTA JOINTS ARE PRE-GREASED FROM THE FACTORY. ICON RECOMMENDS GREASING THE DELTA JOINT EVERY 3,000 MILES (OR EVERY OIL CHANGE). ADD NEW GREASE UNTIL ALL OF THE OLD GREASE IS EXPELLED FROM THE BOTTOM OF THE DELTA JOINT ASSEMBLY, WIPE AWAY EXCESS WITH A RAG OR SHOP TOWEL.</p> <p>2. ICON RECOMMENDS OPTIONAL BILLET DUST COVER SET (191011) TO PREVENT DEBRIS FROM PACKING UP AROUND THE ZERK FITTING.</p> <p>3. ALL ICON UPPER CONTROL ARMS HAVE BEEN ENGINEERED TO ALLOW FOR THE MOST POSSIBLE CASTER, WHILE STILL ALLOWING THE VEHICLE TO BE PROPERLY ALIGNED. NOTIFY YOUR PROFESSIONAL ALIGNMENT SHOP OF THIS INFORMATION SO THAT MAXIMUM RIDE QUALITY CAN BE ACHIEVED.</p>	



WARNING!

**** READ ALL INSTRUCTIONS THOROUGHLY FROM START TO FINISH BEFORE BEGINNING INSTALLATION! IF THESE INSTRUCTIONS ARE NOT PROPERLY FOLLOWED SEVERE FRAME, SUSPENSION AND TIRE DAMAGE MAY RESULT TO THE VEHICLE!**

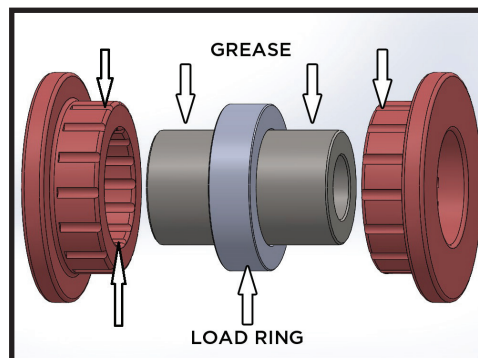
**** ICON VEHICLE DYNAMICS RECOMMENDS THAT YOU EXERCISE EXTREME CAUTION WHEN WORKING UNDER A VEHICLE THAT IS SUPPORTED WITH JACK STANDS.**

****ICON VEHICLE DYNAMICS RECOMMENDS ALL INSTALLATION TO BE PERFORMED BY A PROFESSIONAL SHOP/SERVICE TECHNICIAN. PRODUCT FAILURE CAUSED BY IMPROPER INSTALLATION WILL NOT BE COVERED UNDER ICON'S WARRANTY POLICY.**

INSTALLATION

- Using a properly rated jack, raise the front of the vehicle and support the frame rails with jack stands. Ensure the jack stands are secure and set properly before lowering the jack. NEVER WORK UNDER AN UNSUPPORTED VEHICLE. Remove front wheels.
- Using a jack, slightly lift the lower control arm to prevent the arms from being at full droop.
- Disconnect the upper ball joint: remove the cotter pin securing the upper ball joint nut. Using a 19mm socket/wrench, loosen the nut to the end of the shank but do not remove entirely so that the nut protects the threads. Dislodge the taper by either using a ball joint separator or by striking the spindle on the outside of the taper with a large hammer or hand sledge.
- Support the spindle so that it does not overextend the CV joints when detached.
- Using a 10mm socket/wrench, disconnect the ABS line that is routed down the top of the arm. Remove the ball joint nut and disconnect the upper control arm from the spindle.
- Using a 19mm socket/wrench, remove the large upper control arm pivot bolt. This hardware will be reused, note direction and order of components. Remove the nut and washer from the rear side of the long pivot bolt. Carefully feed the bolt forward until it clears the front of the A-arm. Remove the stock upper control arm.
- Before installing your new upper control arms, care must be taken to grease the bushings (liberally) prior to installing assembly. Failure to grease properly will cause premature bushing wear and increased noise. [FIGURE 1]

FIG.1



8. Install the new ICON tubular upper control arm into the chassis: Note the side and orientation of the arms, the Delta Joint should be oriented to the back of the vehicle. Make sure that there is a washer placed on each side of the bushings then carefully feed the pivot bolt through the pivots of the arm and through the pivot tube in the chassis. Use the 150025 washers against bushings. Place the 605813 washers under the nut and under the head of the bolt. Grease the zerk fittings until you can see that the grease has worked itself all the way into the bushings and then tighten pivot bolt. [Torque to factory spec]

9. Pivot the Delta Joint stem so that it is inline with the taper bore in the spindle. The new Delta Joint will be very stiff the first time you move it.

10. Rotate the upper control arm downward and install the stem through the spindle taper. Install the supplied flanged nut on the taper pin. [Torque to 75 ft-lbs]

11. Using a 10mm socket/wrench reattach the ABS line to the threaded hole in the arm with the factory bolt.

12. Install wheels and lower vehicle back to the ground [Torque to factory spec].

13. Repeat steps on opposite side.

14. Have the vehicle professionally aligned.

VERIFY ALL FASTENERS ARE PROPERLY TORQUED BEFORE DRIVING VEHICLE.

RETORQUE ALL NUTS, BOLTS AND LUGS AFTER 100 MILES AND PERIODICALLY THEREAFTER.

ALIGNMENT NOTE

A MAJOR PERFORMANCE ADVANTAGE OF ALL ICON UPPER CONTROL ARMS IS INCREASED CASTER OVER STOCK. DISCUSS WITH A PROFESSIONAL ALIGNMENT SHOP THAT YOU WANT THE VEHICLE ALIGNED WITH THE CASTER AT THE MAX OF THE FACTORY RECOMMENDED SETTINGS IF YOU WANT TO TAKE ADVANTAGE OF THE DYNAMIC EFFECTS OF INCREASED CASTER.



ICON VEHICLE DYNAMICS LIMITED LIFETIME WARRANTY

ICON Vehicle Dynamics warrants to the original retail purchaser who owns the vehicle on which the product was originally installed. ICON Vehicle Dynamics does not warrant the product for finish, alterations, modifications and/or installation contrary to ICON Vehicle Dynamics instructions. ICON Vehicle Dynamics products are not designed, nor are they intended to be installed on vehicles used in race applications, for racing purposes or for similar activities. (A "race" is defined as any contest between two or more vehicles, or a contest of one or more vehicles against the clock, whether or not such contest is for a prize). This warranty does not include coverage for police or taxi vehicles, race vehicles, or vehicles used for government or commercial purposes. Also excluded from this warranty are sales outside of the United States of America and Canada.

ICON Vehicle Dynamics' obligation under this warranty is limited to the repair or replacement, at ICON Vehicle Dynamics' discretion, of the defective product. Any and all costs of removal, installation or re-installation, freight charges and incidental or consequential damages are expressly excluded from this warranty. Items that are subject to wear are not considered defective when worn and are not covered.

ICON Vehicle Dynamics components must be installed as a complete kit as shown in our current application guide. Any substitutions or exemptions of required components will immediately void the warranty. Some finish damage may happen to parts during shipping and is not covered under warranty.

This warranty is expressly in lieu of all other warranties expressed or implied. This warranty shall not apply to any product that has been improperly installed, modified or customized subject to accident, negligence, abuse or misuse.



ICON VEHICLE DYNAMICS®
PERFORMANCE SUSPENSION SYSTEMS AND SHOCK ABSORBERS

7929 Lincoln Ave. Riverside, CA 92504 Phone: 951.689.ICON Fax: 951.689.1016
www.iconvehicledynamics.com



FOLLOW US ON FACEBOOK!



PART #	DESCRIPTION
58735C	05-UP TACOMA EXT TRAVEL 2.5 VS RR CDCV COILOVER KIT

COMPONENTS INCLUDED	
(1) 154950C 05+ TACOMA CO RR EXT TRAVEL CDCV (DRVR)	(1) 611019 COILOVER HARDWARE KIT (PAIR)
(1) 154950C 05+ TACOMA CO RR EXT TRAVEL CDCV (PASS)	(1) 611030 05+ TACO / 07-09 FJ SWAYBAR RELOCATION KIT
(1) 154005 05+ TACO / FJ RESI MOUNT (DRVR)	(1) 611051 HOSE CLAMP KIT
(1) 154004 05+ TACO / FJ RESI MOUNT (PASS)	
HARDWARE INCLUDED	
611019 HARDWARE KIT	
(6) 605101 3/8-16 X 1.000 BOLT	(6) 605131 3/8 SPLIT LOCK WASHER
611030 HARDWARE KIT	
(2) 157100 05+ TACO / 07-09 FJ SWAYBAR RELOCATION BRACKET	(4) 605100 3/8-16 X .750 BOLT
	(4) 605133 3/8 FLAT WASHER
611051 HARDWARE KIT	
(4) STAINLESS STEEL HOSE CLAMP	
TOOLS REQUIRED	
JACK JACK STANDS TORQUE WRENCH HAMMER 5/16" NUT DRIVER	12MM SOCKET / WRENCH 14MM SOCKET / WRENCH 17MM SOCKET / WRENCH 19MM SOCKET / WRENCH 21MM SOCKET / WRENCH
TECH NOTES	
<p>1. YOUR ICON COILOVER ASSEMBLIES COME FACTORY CHARGED TO 150 PSI. RELEASING NITROGEN PRESSURE MAY LEAD TO SHOCK MALFUNCTION AND REDUCED RIDE QUALITY. FAILURE CAUSED BY LOW NITROGEN PRESSURE IS NOT COVERED UNDER ICON'S WARRANTY POLICY.</p> <p>2. YOUR ICON COILOVER ASSEMBLIES COME SHIPPED AT ICON'S RECOMMENDED RIDE HEIGHT. DO NOT PRELOAD THE COIL BEYOND 2.13" (1.13" FOR 700LB COIL #158508) OF EXPOSED THREADS BETWEEN THE BOTTOM OF THE TOP CAP AND THE TOP OF THE COIL ADJUSTER NUT. A REDUCTION IN RIDE QUALITY WILL BE EXPERIENCED IF COILOVERS ARE ADJUSTED TO ALLOW FOR LESS THAN 2" OF DROOP TRAVEL FROM STATIC RIDE HEIGHT.</p> <p>3. ICON EXTENDED TRAVEL COILOVERS REQUIRE AN ICON UCA (BILLET OR TUBULAR).</p> <p>4. 2016-UP TACOMA MODELS REQUIRE MORE PRELOAD (THAN 2005-2015 MODELS) TO ATTAIN LIFT, DO NOT EXCEED 2.13" OF EXPOSED THREADS.</p>	



WARNING!
<p>** READ ALL INSTRUCTIONS THOROUGHLY FROM START TO FINISH BEFORE BEGINNING INSTALLATION! IF THESE INSTRUCTIONS ARE NOT PROPERLY FOLLOWED SEVERE FRAME, SUSPENSION AND TIRE DAMAGE MAY RESULT TO THE VEHICLE!</p> <p>** ICON VEHICLE DYNAMICS RECOMMENDS THAT YOU EXERCISE EXTREME CAUTION WHEN WORKING UNDER A VEHICLE THAT IS SUPPORTED WITH JACK STANDS.</p> <p>**ICON VEHICLE DYNAMICS RECOMMENDS ALL INSTALLATION TO BE PERFORMED BY A PROFESSIONAL SHOP/SERVICE TECHNICIAN. PRODUCT FAILURE CAUSED BY IMPROPER INSTALLATION WILL NOT BE COVERED UNDER ICON'S WARRANTY POLICY.</p>

INSTALLATION

- Using a properly rated jack, raise the front of the vehicle and support the frame rails with jack stands. Ensure the jack stands are secure and set properly before lowering the jack. NEVER WORK UNDER AN UNSUPPORTED VEHICLE. Remove the front wheels.
- Disconnect the outer tie rod end on both sides. Remove the cotter pin and loosen the nut until it is flush with the end of the threads. Strike the end of the steering knuckle arm with a large hammer to dislodge the taper. Remove the nut and swing the tie rod out of the way.
- Disconnect the sway bar from the frame on both sides. Remove bolts using a 14mm socket/wrench and remove the bracket from the sway bar. Move the sway bar forward to make room for removal and installation of the shock.
- To make room for removal of the factory coilover assembly, disconnect the knuckle from the upper control arm. Once the knuckle is disconnected from the upper control arm, support the knuckle so that brake line damage does not occur.
- Support the lower control arm with a jack and remove the (3) nuts securing the upper shock assembly mount to the coil bucket. Do not loosen or remove the large center nut securing the spring seat to the shock shaft. Failure to comply will result in the stock coil assembly to come apart violently, causing damage to components and possible injury.
- Loosen the bolt connecting the shock to the lower control arm. Lower jack and remove the bolt. Note orientation: as this bolt will be reused. The head of the bolt should be facing forward.
- Remove the stock coil assembly. Due to rubber bushing stiffness you may need to pull down on the suspension. To make this easier you can use a pry bar over the top of the upper control arm and under the pivot bolt for additional leverage. Be careful not to damage any brake lines or wires that may be routed down the upper control arm.
- Install new coilover assembly. Install upper mount with the reservoir hose pointing outward using (605101) bolts and (605131) lock washers. [Torque to 35 ft-lbs]

9. Install lower shock mount to lower control arm: The lower shock mount has (1) long and (1) short spacer. Make sure the long spacer is toward the front of the vehicle. This will position the shock further toward the rear of the lower control arm to ensure adequate sway bar clearance. Reinstall the factory lower shock bolt. [Torque to factory spec] (FIGURE 1)

FIG.1



10. Reinstall the upper control arm to the knuckle and tighten balljoint nut. [Torque to factory spec]

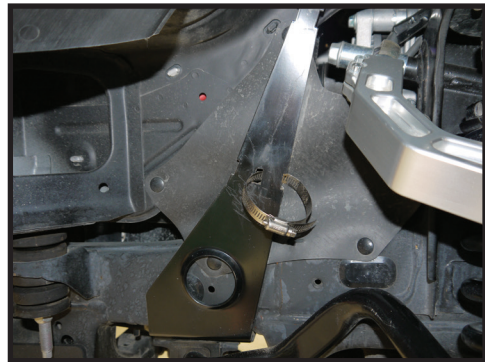
11. Repeat steps 4-10 on opposite side.

12. Install the reservoir mount and sway bar relocation block. Using the factory hardware, bolt the block to the frame with the reservoir mount sandwiched between the relocation block and frame as shown. The heads will be recessed in the block. Make sure the block is positioned so that the new threaded holes are forward of the countersunk holes. Using the supplied (605100) bolts, (605133) washers and factory U-clamp, reinstall the sway bar in its new position, forward of factory location. (FIGURE 2 AND 3)

FIG.2



FIG.3



13. Mount reservoir according to appropriate year and model; The lower hose clamp goes through the slot in the bracket and the upper registers in the notches at the top of the bracket. Position the reservoir so the clamp bands are in the recessed groove on the can and secure. (FIGURE 4 AND 5)

FIG.4

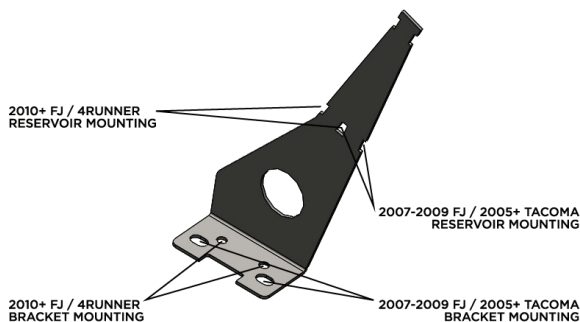


FIG.5



14. Reinstall the outer tie rod end [Torque to factory spec] and install cotter pin.

15. Install wheels and lower vehicle back to the ground. [Torque to factory spec]

16. Have the vehicle professionally aligned.

VERIFY ALL FASTENERS ARE PROPERLY TORQUED BEFORE DRIVING VEHICLE.

RETORQUE ALL NUTS, BOLTS AND LUGS AFTER 100 MILES AND PERIODICALLY THEREAFTER.

2.5 VS SERIES SHOCK & COILOVER TECHNICAL INFORMATION

MAINTENANCE

ICON shock absorbers are a high quality rebuildable race style shock absorber designed for optimal performance. With a unit of this caliber on your vehicle, routine maintenance is required to keep them looking and operating in like new condition. Residual oil and assembly lube may be present at all seal paths from the factory out of the box and is considered normal. Pooling of oil however is not acceptable at any time and one should contact the ICON dealer where purchased.

BELOW ARE GUIDELINES BASED ON HOW YOU USE YOUR VEHICLE BUT YOUR MILEAGE MAY VARY:

STREET USE:

- Send in for factory servicing every 40,000 miles or if a leak develops, ride quality decreases, or they begin to make excessive noise.
- Remove any buildup of road salt, mud, or debris from shocks and coil springs anytime accrued
- Clean with mild soap and water with each oil change or anytime you notice build up.
- Wax the cylinders yearly with automotive wax to prevent corrosion.
- Check nitrogen pressure yearly. (252004 charge needle assembly available at any ICON distributor)
- Check bearings for excessive wear yearly.
- **DO NOT** apply any type of lube to the upper and lower bearings.

STREET/DIRT:

- Send in for factory servicing every 15,000 miles or if a leak develops, ride quality decreases, or they begin to make excessive noise.
- Clean with mild soap and water with each oil change, offroad trip, or anytime you notice build up.
- Wax the cylinders yearly with automotive wax to prevent corrosion.
- Check nitrogen pressure each dirt outing. (252004 charge needle assembly available at any ICON distributor)
- Check bearings for excessive wear yearly.
- **DO NOT** apply any type of lube to the upper and lower bearings.

DIRT USE:

- Send in for factory servicing every 1,000 miles.
- Check nitrogen pressure each outing. (252004 charge needle assembly available at any ICON distributor)
- Remove any buildup of mud or debris from shocks and coil springs after every outing.

SELF-SERVICE:

- Contact ICON for service kits & tools at (951) 689-4266.

PRODUCT REGISTRATION

Please visit: <http://www.iconvehicledynamics.com/tech-support/registration/> to register your product.

ICON VEHICLE DYNAMICS SHOCK ABSORBER WARRANTY

This shock absorber has a 1 year warranty against any manufacturer's defects. If a shock fails within the initial year of ownership, the shock must be shipped to ICON Vehicle Dynamics for inspection and service. If a shock is inspected and it has been determined the shock failed due to neglect, damage caused by improper installation or any other reason besides "normal wear and tear", the owner of said shock is responsible for all service costs. This includes labor, parts, and shipping.

ICON Vehicle Dynamics warrants to the original retail purchaser who owns the vehicle on which the product was originally installed. ICON Vehicle Dynamics does not warrant the product for finish, alterations, modifications and/or installation contrary to ICON Vehicle Dynamics instructions. ICON Vehicle Dynamics products are not designed, nor are they intended to be installed on vehicles used in race applications, for racing purposes or for similar activities. (A "race" is defined as any contest between two or more vehicles, or a contest of one or more vehicles against the clock, whether or not such contest is for a prize). This warranty does not include coverage for police or taxi vehicles, race vehicles, or vehicles used for government or commercial purposes. Also excluded from this warranty are sales outside of the United States of America and Canada.

ICON Vehicle Dynamics' obligation under this warranty is limited to the repair or replacement, at ICON Vehicle Dynamics' discretion, of the defective product. Any and all costs of removal, installation or re-installation, freight charges and incidental or consequential damages are expressly excluded from this warranty. Items that are subject to wear are not considered defective when worn and are not covered.

ICON Vehicle Dynamics components must be installed as a complete kit as shown in our current application guide. Any substitutions or exemptions of required components will immediately void the warranty. Some finish damage may happen to parts during shipping and is not covered under warranty.

This warranty is expressly in lieu of all other warranties expressed or implied. This warranty shall not apply to any product that has been improperly installed, modified or customized subject to accident, negligence, abuse or misuse.

To send a shock in for warranty please visit our website <http://www.iconvehicledynamics.com/tech-support/shock-service/>

ICON VEHICLE DYNAMICS

PERFORMANCE SUSPENSION SYSTEMS AND SHOCK ABSORBERS

7929 Lincoln Ave. Riverside, CA 92504 Phone: 951.689.ICON Fax: 951.689.1016
www.iconvehicledynamics.com



FOLLOW US ON FACEBOOK!



7929 Lincoln Ave. Riverside, CA 92504
Phone: 951.689.ICON Fax: 951.689.1016

PART #	DESCRIPTION
59926P	05-UP TACOMA RXT REAR 2.5 OMEGA RR PAIR

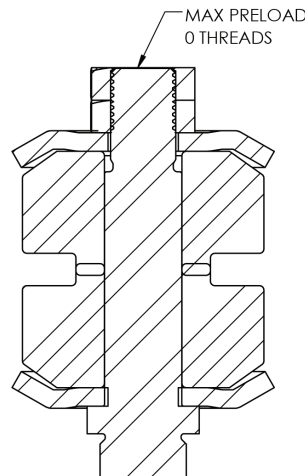
COMPONENTS INCLUDED	
(2) 154885OR 05+ TACO RXT REAR 2.5 OMEGA (2) 250003 RESERVOIR MOUNTING PLATE (2) 605131 3/8" SPLIT LOCK WASHER	(2) 605144 3/8-12 X .750 SELF TAP BOLT (2) 611008 9/16" HEAVY DUTY STEM BUSHING KIT (1) 611051 HOSE CLAMP KIT
HARDWARE INCLUDED	
611008 STEM BUSHING KIT	
(2) 250200 9/16" HD STEM BUSHING (2) 255200 9/16" STEM BUSHING RETAINER	(2) 605809 M12-1.25 JAM NUT
TOOLS REQUIRED	
JACK JACK STANDS DRILL 11/32" DRILL BIT CENTER PUNCH	TORQUE WRENCH 5/16" SOCKET / WRENCH 9/16" SOCKET / WRENCH 17MM SOCKET / WRENCH 19MM SOCKET / WRENCH
TECH NOTES	
<p>1. INTENDED FOR USE WITH ICON RXT LEAF SPRINGS (#158505) ONLY.</p> <p>2. YOUR ICON SHOCK ASSEMBLIES COME FACTORY CHARGED TO 250 PSI. RELEASING NITROGEN PRESSURE MAY LEAD TO SHOCK MALFUNCTION AND REDUCED RIDE QUALITY. FAILURE CAUSED BY LOW NITROGEN PRESSURE IS NOT COVERED UNDER ICON'S WARRANTY POLICY.</p> <p>3. INSTALL STEM BUSHINGS AND HARDWARE AS SHOWN IN THE DIAGRAM. FAILURE CAUSED BY INCORRECT INSTALLATION OF STEM BUSHINGS AND HARDWARE IS NOT COVERED UNDER ICON'S WARRANTY POLICY.</p>	



WARNING!
<p>** READ ALL INSTRUCTIONS THOROUGHLY FROM START TO FINISH BEFORE BEGINNING INSTALLATION! IF THESE INSTRUCTIONS ARE NOT PROPERLY FOLLOWED SEVERE FRAME, SUSPENSION AND TIRE DAMAGE MAY RESULT TO THE VEHICLE!</p> <p>** ICON VEHICLE DYNAMICS RECOMMENDS THAT YOU EXERCISE EXTREME CAUTION WHEN WORKING UNDER A VEHICLE THAT IS SUPPORTED WITH JACK STANDS.</p> <p>** ICON VEHICLE DYNAMICS RECOMMENDS ALL INSTALLATION TO BE PERFORMED BY A PROFESSIONAL SHOP/SERVICE TECHNICIAN. PRODUCT FAILURE CAUSED BY IMPROPER INSTALLATION WILL NOT BE COVERED UNDER ICON'S WARRANTY POLICY.</p>

INSTALLATION

- Using a properly rated jack, raise the rear of the vehicle and support the frame rails with jack stands. Ensure the jack stands are secure and set properly before lowering the jack. NEVER WORK UNDER AN UNSUPPORTED VEHICLE. Remove the rear wheels.
- Remove the factory shock using two 17mm socket/wrenches.
- Install the RXT shock using the factory lower bolt on the lower shock mount and the supplied bushing kit for the upper stem mount. Install stem bushings and hardware as shown in the diagram: Install the lower nut and fasten until there are enough exposed threads available to secure the upper jam nut. Install jam nut until it is flush with the top of the stem (DO NOT OVERTIGHTEN) and torque to 50 ft-lbs while holding the lower nut with a 19mm wrench. Do not overtighten bushing assembly, as this can lead to shock stem failure. Failure caused by incorrect installation of stem bushings and hardware is NOT covered under ICON's warranty policy.



- Mount the reservoir to the reservoir bracket using the supplied hose clamps and a 5/16" nut driver. Make sure that the hose clamps line up with the machined grooves on the reservoir surface.

5. Hold the reservoir against the frame with a small amount of slack in the hose. Mark the location on the frame of the mounting hole of the reservoir bracket. [FIGURE 1]

FIG.1



6. Remove the reservoir bracket from the reservoir.

7. Center punch the hole location previously marked and then drill an 11/32" hole in the frame. Be careful not to drill through any lines or wires running inside of the frame channel.

8. Thread the holes using the supplied 3/8" self tapping bolts and a 9/16" socket.

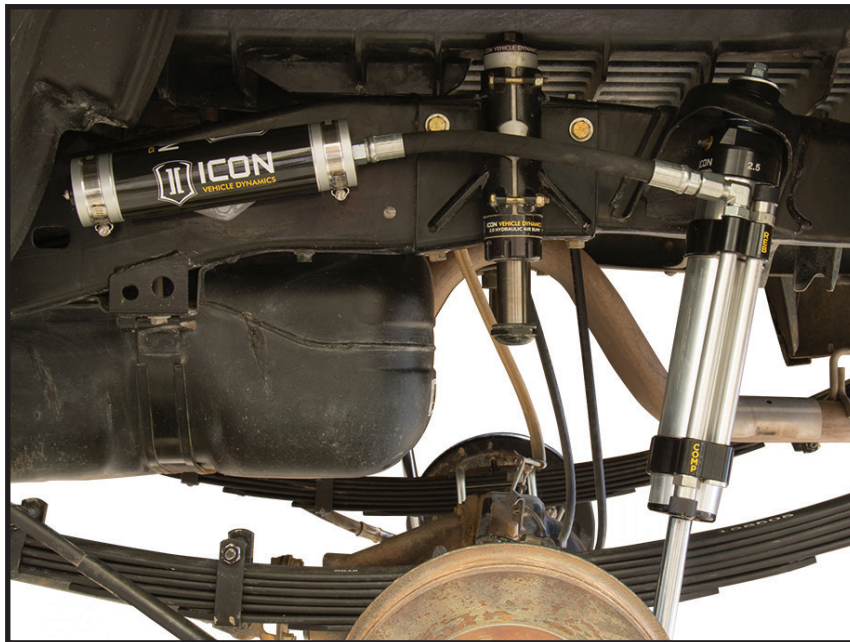
9. Fasten the reservoir bracket to the frame using the self tapping bolts.

10. Mount the reservoir to the bracket using a 5/16" nut driver. Make sure that the hose clamps line up with the machined grooves on the reservoir surface.

11. Install the wheels and lower the vehicle back to the ground. [Torque lugs to factory spec]

VERIFY ALL FASTENERS ARE PROPERLY TORQUED BEFORE DRIVING VEHICLE.

RETORQUE ALL NUTS, BOLTS AND LUGS AFTER 100 MILES AND PERIODICALLY THEREAFTER.



2.5 VS SERIES SHOCK & COILOVER TECHNICAL INFORMATION

MAINTENANCE

ICON shock absorbers are a high quality rebuildable race style shock absorber designed for optimal performance. With a unit of this caliber on your vehicle, routine maintenance is required to keep them looking and operating in like new condition. Residual oil and assembly lube may be present at all seal paths from the factory out of the box and is considered normal. Pooling of oil however is not acceptable at any time and one should contact the ICON dealer where purchased.

BELOW ARE GUIDELINES BASED ON HOW YOU USE YOUR VEHICLE BUT YOUR MILEAGE MAY VARY:

STREET USE:

- Send in for factory servicing every 40,000 miles or if a leak develops, ride quality decreases, or they begin to make excessive noise.
- Remove any buildup of road salt, mud, or debris from shocks and coil springs anytime accrued
- Clean with mild soap and water with each oil change or anytime you notice build up.
- Wax the cylinders yearly with automotive wax to prevent corrosion.
- Check nitrogen pressure yearly. (252004 charge needle assembly available at any ICON distributor)
- Check bearings for excessive wear yearly.
- **DO NOT** apply any type of lube to the upper and lower bearings.

STREET/DIRT:

- Send in for factory servicing every 15,000 miles or if a leak develops, ride quality decreases, or they begin to make excessive noise.
- Clean with mild soap and water with each oil change, offroad trip, or anytime you notice build up.
- Wax the cylinders yearly with automotive wax to prevent corrosion.
- Check nitrogen pressure each dirt outing. (252004 charge needle assembly available at any ICON distributor)
- Check bearings for excessive wear yearly.
- **DO NOT** apply any type of lube to the upper and lower bearings.

DIRT USE:

- Send in for factory servicing every 1,000 miles.
- Check nitrogen pressure each outing. (252004 charge needle assembly available at any ICON distributor)
- Remove any buildup of mud or debris from shocks and coil springs after every outing.

SELF-SERVICE:

- Contact ICON for service kits & tools at (951) 689-4266.

PRODUCT REGISTRATION

Please visit: <http://www.iconvehicledynamics.com/tech-support/registration/> to register your product.

ICON VEHICLE DYNAMICS SHOCK ABSORBER WARRANTY

This shock absorber has a 1 year warranty against any manufacturer's defects. If a shock fails within the initial year of ownership, the shock must be shipped to ICON Vehicle Dynamics for inspection and service. If a shock is inspected and it has been determined the shock failed due to neglect, damage caused by improper installation or any other reason besides "normal wear and tear", the owner of said shock is responsible for all service costs. This includes labor, parts, and shipping.

ICON Vehicle Dynamics warrants to the original retail purchaser who owns the vehicle on which the product was originally installed. ICON Vehicle Dynamics does not warrant the product for finish, alterations, modifications and/or installation contrary to ICON Vehicle Dynamics instructions. ICON Vehicle Dynamics products are not designed, nor are they intended to be installed on vehicles used in race applications, for racing purposes or for similar activities. (A "race" is defined as any contest between two or more vehicles, or a contest of one or more vehicles against the clock, whether or not such contest is for a prize). This warranty does not include coverage for police or taxi vehicles, race vehicles, or vehicles used for government or commercial purposes. Also excluded from this warranty are sales outside of the United States of America and Canada.

ICON Vehicle Dynamics' obligation under this warranty is limited to the repair or replacement, at ICON Vehicle Dynamics' discretion, of the defective product. Any and all costs of removal, installation or re-installation, freight charges and incidental or consequential damages are expressly excluded from this warranty. Items that are subject to wear are not considered defective when worn and are not covered.

ICON Vehicle Dynamics components must be installed as a complete kit as shown in our current application guide. Any substitutions or exemptions of required components will immediately void the warranty. Some finish damage may happen to parts during shipping and is not covered under warranty.

This warranty is expressly in lieu of all other warranties expressed or implied. This warranty shall not apply to any product that has been improperly installed, modified or customized subject to accident, negligence, abuse or misuse.

To send a shock in for warranty please visit our website <http://www.iconvehicledynamics.com/tech-support/shock-service/>

ICON VEHICLE DYNAMICS

PERFORMANCE SUSPENSION SYSTEMS AND SHOCK ABSORBERS

7929 Lincoln Ave. Riverside, CA 92504 Phone: 951.689.ICON Fax: 951.689.1016
www.iconvehicledynamics.com



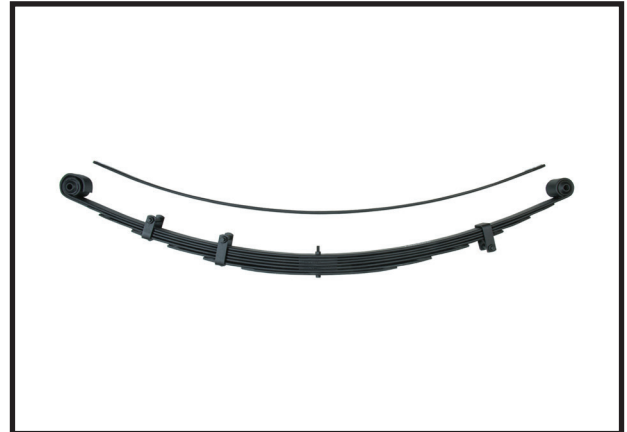
FOLLOW US ON FACEBOOK!



7929 Lincoln Ave. Riverside, CA 92504
Phone: 951.689.ICON | Fax: 951.689.1016

PART #	DESCRIPTION
158505	05-UP TACOMA MULTI-RATE RXT LEAF SPRING

COMPONENTS INCLUDED	
(1) 158505 05+ TACOMA RXT LEAF PACK W/ADD IN LEAF	
HARDWARE INCLUDED	
N/A	
TOOLS REQUIRED	
JACK JACK STANDS LOCKING PLIERS TORQUE WRENCH	9/16" SOCKET / WRENCH 7/8" SOCKET / WRENCH 17MM SOCKET / WRENCH 19MM SOCKET / WRENCH
TECH NOTES	
<p>THE ICON RXT LEAF SPRING IS MODULAR, MEANING THAT YOU CAN CONFIGURE THE SPRING PACK TO YOUR DESIRED SETTING FROM THESE AVAILABLE OPTIONS:</p> <p>OPTION #1 - THE SPRING IS SHIPPED AT THIS SETTING (LIGHTEST SPRING RATE).</p> <p>OPTION #2 - REPLACE THE 3RD SPRING (COUNTING FROM THE TOP DOWN) WITH THE ADDITIONAL LEAF.</p> <p>OPTION #3 - PLACE THE ADDITIONAL LEAF BETWEEN THE 2ND AND 3RD SPRING (COUNTING FROM THE TOP DOWN). DO NOT REMOVE LEAF FROM SPRING PACK.</p> <p>ICON'S MEASURED SPECS FROM OUR TEST TRUCK (2016 4WD DCLB TACOMA):</p> <p>OPTION #1 - LIFT HEIGHT OVER STOCK: + 1.875" (UNLOADED)</p> <p>OPTION #2 - LIFT HEIGHT OVER STOCK + 2.25" (UNLOADED) LIFT HEIGHT OVER STOCK WITH 200LBS IN BED: + 1.75"</p> <p>OPTION #3 - LIFT HEIGHT OVER STOCK: + 2.625" (UNLOADED) LIFT HEIGHT OVER STOCK WITH 600LBS IN BED: + 1.125" LIFT HEIGHT OVER STOCK WITH 1200LBS IN BED: - .125"</p>	



WARNING!
<p>** READ ALL INSTRUCTIONS THOROUGHLY FROM START TO FINISH BEFORE BEGINNING INSTALLATION! IF THESE INSTRUCTIONS ARE NOT PROPERLY FOLLOWED SEVERE FRAME, SUSPENSION AND TIRE DAMAGE MAY RESULT TO THE VEHICLE!</p> <p>** ICON VEHICLE DYNAMICS RECOMMENDS THAT YOU EXERCISE EXTREME CAUTION WHEN WORKING UNDER A VEHICLE THAT IS SUPPORTED WITH JACK STANDS.</p> <p>** ICON VEHICLE DYNAMICS RECOMMENDS ALL INSTALLATION TO BE PERFORMED BY A PROFESSIONAL SHOP/SERVICE TECHNICIAN. PRODUCT FAILURE CAUSED BY IMPROPER INSTALLATION WILL NOT BE COVERED UNDER ICON'S WARRANTY POLICY.</p>

INSTALLATION

- Using a properly rated jack, raise the rear of the vehicle and support the frame rails with jack stands. Ensure the jack stands are secure and set properly before lowering the jack. NEVER WORK UNDER AN UNSUPPORTED VEHICLE. Remove the rear wheels.
- Remove the lower shock bolt using (2) 17mm. [FIGURE 1]

FIG.1

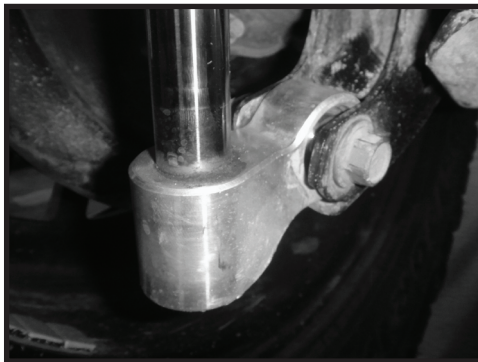
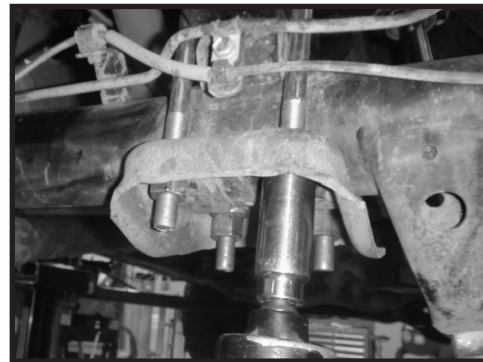


FIG.2



- Support the axle using a floor jack. Remove the U-bolts from 1 side of the truck using a 19mm. [FIGURE 2]
- Slowly lower the axle, being careful to not overextend brake or ABS lines.

5. Remove the bolt from the front frame pocket using a 19mm. [FIGURE 3]

FIG.3



FIG.4

6. Remove the upper and lower nut from the spring shackle using a 19mm. [FIGURE 4]

7. Remove bolt connecting the shackle to the frame.

8. Lift the shackle and leaf pack out of the pocket of the frame.

9. Lift the factory spring and shackle out, being careful to not damage brake lines, hoses, and ABS lines. 2 people are recommended as the leaf springs are heavy.

IF ADJUSTING THE RXT SPRING CONFIGURATION:

A. Remove the front clip bolts and rear clip using a 17mm. [FIGURE A]

FIG.A



FIG.B

B. Clamp the pack on both sides of the center pin. [FIGURE B]

C. Use locking pliers to hold the head of the center pin and remove the nut using a 9/16".

D. Carefully release the clamps from the spring pack. Use caution as the spring may still be under tension.

E. Remove the top 2 springs of the pack. [FIGURE C]

FIG.C



F. Configure the spring pack as desired from the available options (refer to tech notes).

OPTION #1 - THE SPRING IS SHIPPED AT THIS SETTING (LIGHTEST SPRING RATE).

OPTION #2 - REPLACE THE 3RD SPRING (COUNTING FROM THE TOP DOWN) WITH THE ADDITIONAL LEAF. ENSURE THAT THE LONGER SIDE OF THE LEAF IS ORIENTED TOWARDS THE FRONT OF THE VEHICLE.

OPTION #3 - PLACE THE ADD-A-LEAF BETWEEN THE 2ND AND 3RD SPRING (COUNTING FROM THE TOP DOWN). DO NOT REMOVE LEAF FROM SPRING PACK. ENSURE THAT THE LONGER SIDE OF THE LEAF IS ORIENTED TOWARDS THE FRONT OF THE VEHICLE.

G. Ensure that there is a liner installed between each leaf.

H. With the top 2 leafs in place, slide the center pin through the pack and clamp together using clamps on both sides of the center pin. After the center pin is placed through the whole pack, install the nut using a 9/16". [Torque to 15 ft-lbs]

I. Install the appropriate clips for the configuration. Longer clips are provided for additional pack thickness. Tighten on half turn past snug using a 17mm.

10. Before lifting the RXT spring pack into place, loosely install the shackle on the spring with the factory bolt and nut. Ensure that the bolt is facing away from the fuel tank. The head of the bolt should be closest to the frame and the nut furthest away, failure to mount in this orientation will cause fuel tank gouging.

11. Loosely install the spring and shackle into the frame pockets using the factory hardware. Lift the axle to guide the center pin into the locating hole in the spring pad on the axle housing.

12. Place the factory bump stop (or ICON striker plate) on top of the spring.

13. Install the U-bolts and tighten (do not torque to spec yet).

14. Install shocks and wheels then lower the vehicle on the ground. [Torque to factory spec]

15. Torque leaf spring pivot bolts to factory spec using a 19mm.

16. Torque lower shock bolts to factory spec using a 17mm.

17. Torque U-bolts to 90 ft-lbs using a 7/8".

18. Check parking brake cable for clearance on the spring clip. If it is making contact with the spring clip, bend the bracket on the front spring pocket. [FIGURE 5 & 6]

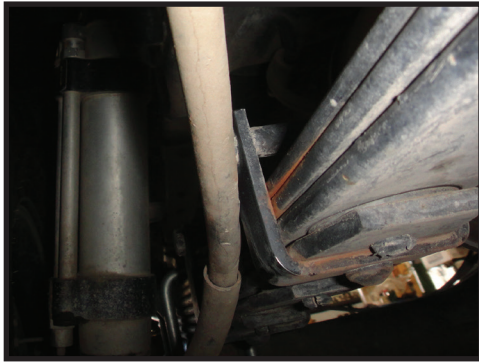


FIG.5



FIG.6

NOTE: If the metal sleeve on the parking brake cable comes into contact with the shock as the suspension compresses, carefully remove (cut) sleeve from the parking brake cable. [FIGURE 7]



FIG.7

VERIFY ALL FASTENERS ARE PROPERLY TORQUED BEFORE DRIVING VEHICLE.

RETORQUE ALL NUTS, BOLTS AND LUGS AFTER 100 MILES AND PERIODICALLY THEREAFTER.



2005-UP TOYOTA TACOMA RXT MULTI-RATE LEAF SPRING

OPTION 1

AS SHIPPED

INSTALL SPRING IN ORIGINAL CONFIGURATION, LEAVING ADDITIONAL LEAF OUT

LIFT HEIGHT OVER STOCK:
1.875"
(UNLOADED)



OPTION 2

LEAF REPLACEMENT

REPLACE THE 3RD SPRING IN THE PACK WITH THE ADDITIONAL LEAF PROVIDED IN KIT

LIFT HEIGHT OVER STOCK:
2.25"
(UNLOADED)

1.75"
(200LB LOAD)



OPTION 3

LEAF ADDITION

ADD THE ADDITIONAL LEAF PROVIDED TO THE PACK, IN BETWEEN THE 2ND AND 3RD SPRING

LIFT HEIGHT OVER STOCK:
2.625"
(UNLOADED)

1.125"
(600LB LOAD)



ICON VEHICLE DYNAMICS LIMITED LIFETIME WARRANTY

ICON Vehicle Dynamics warrants to the original retail purchaser who owns the vehicle on which the product was originally installed. ICON Vehicle Dynamics does not warrant the product for finish, alterations, modifications and/or installation contrary to ICON Vehicle Dynamics instructions. ICON Vehicle Dynamics products are not designed, nor are they intended to be installed on vehicles used in race applications, for racing purposes or for similar activities. (A "race" is defined as any contest between two or more vehicles, or a contest of one or more vehicles against the clock, whether or not such contest is for a prize). This warranty does not include coverage for police or taxi vehicles, race vehicles, or vehicles used for government or commercial purposes. Also excluded from this warranty are sales outside of the United States of America and Canada.

ICON Vehicle Dynamics' obligation under this warranty is limited to the repair or replacement, at ICON Vehicle Dynamics' discretion, of the defective product. Any and all costs of removal, installation or re-installation, freight charges and incidental or consequential damages are expressly excluded from this warranty. Items that are subject to wear are not considered defective when worn and are not covered.

ICON Vehicle Dynamics components must be installed as a complete kit as shown in our current application guide. Any substitutions or exemptions of required components will immediately void the warranty. Some finish damage may happen to parts during shipping and is not covered under warranty.

This warranty is expressly in lieu of all other warranties expressed or implied. This warranty shall not apply to any product that has been improperly installed, modified or customized subject to accident, negligence, abuse or misuse.

ICON VEHICLE DYNAMICS LIABILITY DISCLAIMER

ICON does not make any representations or warranties regarding the fitness of any ICON product for a particular installation or conformance of any ICON product with a particular vehicle application. Installation of any ICON suspension system is at the sole discretion of the end user and in making a purchase of any ICON suspension system, the purchaser assumes the responsibility and liability for any and all damage or injury, of any kind or nature whatsoever, caused by, resulting from, arising out of, or occurring in connection with the use or installation of any ICON suspension system. ICON is not liable for and specifically disavows any installation that is not in conformance with original equipment manufacturer's recommendations or instructions. Purchaser agrees that in the event of any claim or lawsuit arising out of the installation or use of an ICON suspension system, purchaser shall indemnify and hold harmless ICON, its agents, employees, officers and owners from and against any and all loss, expense, damage or injury that ICON may sustain as the result of such claim. [If applicable, ICON defers to and recommends recalibration of any/all vehicle stability systems after suspension installation.]



ICON VEHICLE DYNAMICS®
PERFORMANCE SUSPENSION SYSTEMS AND SHOCK ABSORBERS

7929 Lincoln Ave. Riverside, CA 92504 Phone: 951.689.ICON Fax: 951.689.1016
www.iconvehicledynamics.com



FOLLOW US ON FACEBOOK!

