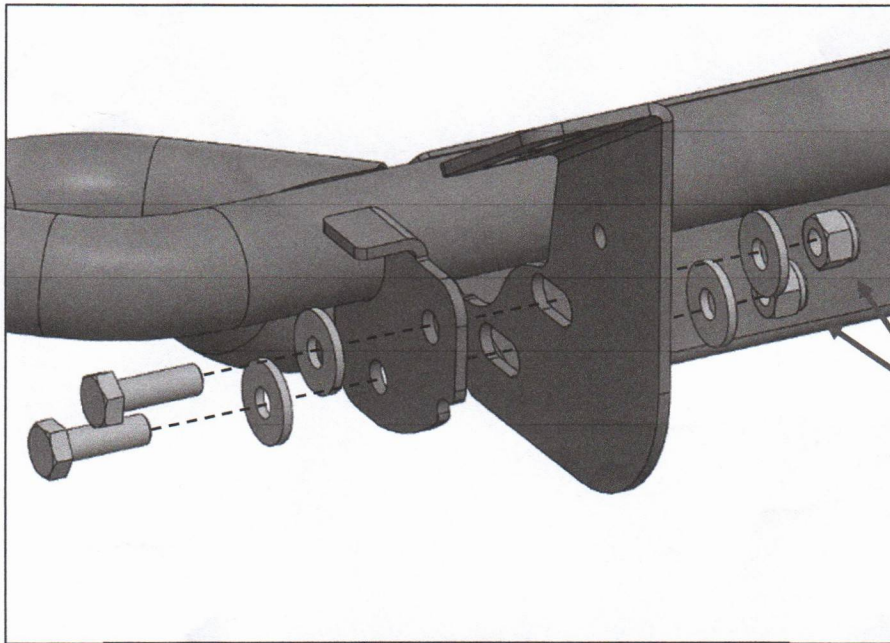


- 2** Follow (Fig 6) to install the NB1 Running Board to the Mounting Brackets.



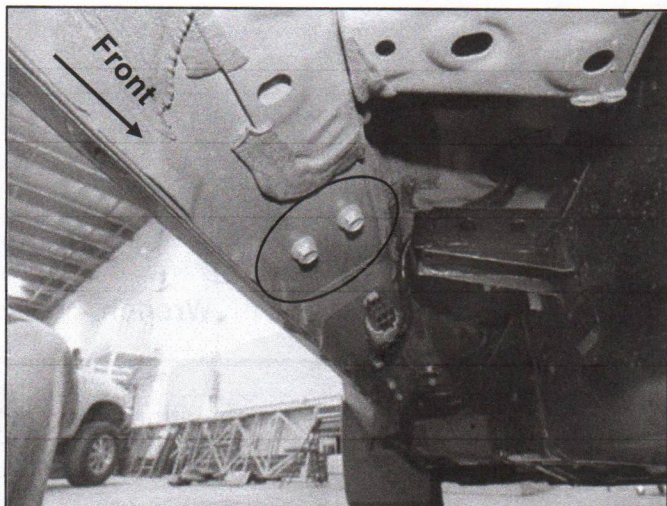
(2) 10mm Hex Bolts
(4) 10mm Flat Washers
(2) 10mm Nylon Lock Nuts

(Fig 7) Align the NB1 Running Board to the Mounting Brackets and install as shown.

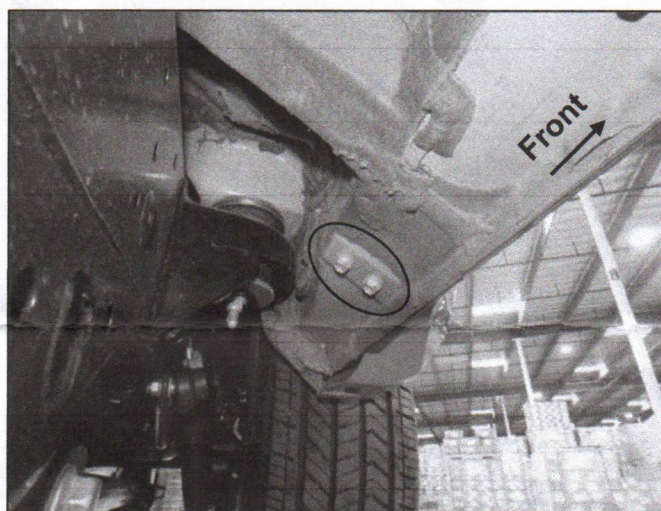
- 3** Installation is complete. Adjust the position of the NB1 Running Board to the desired position, then tighten all hardware. Perform periodic inspections to the installation to ensure that all hardware is secure and tight.



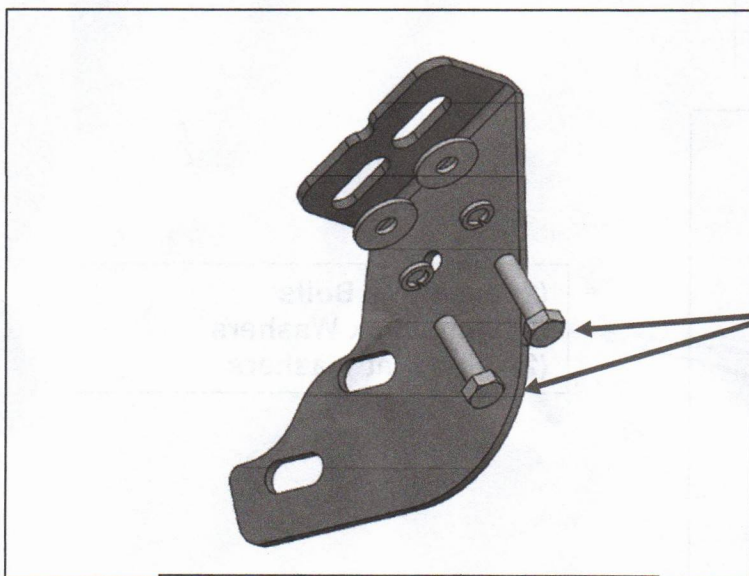
Installation is completed.



(Fig 3) Locate the center mounting points circled and remove the OEM 8mm bolts.



(Fig 4) Locate the rear mounting points circled and remove the OEM 8mm bolts.



- (2) 8mm Hex Bolts**
- (2) 8mm Lock Washers**
- (2) 8mm Flat Washers**

(Fig 5) Install the Center/Rear Mounting Brackets as shown.

TOOLS REQUIRED



Ratchet



**13mm Socket
15mm Socket**

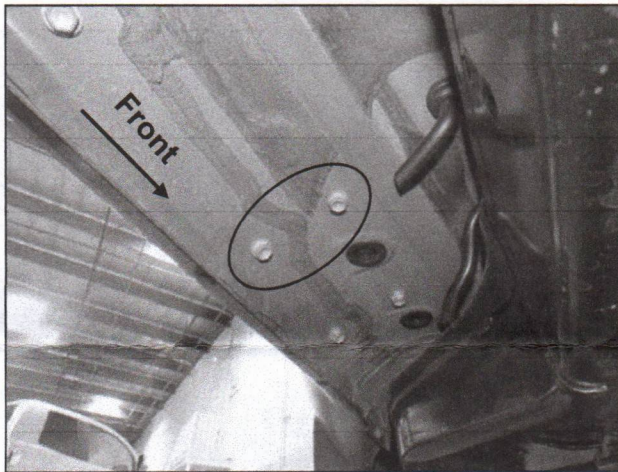


Extensions

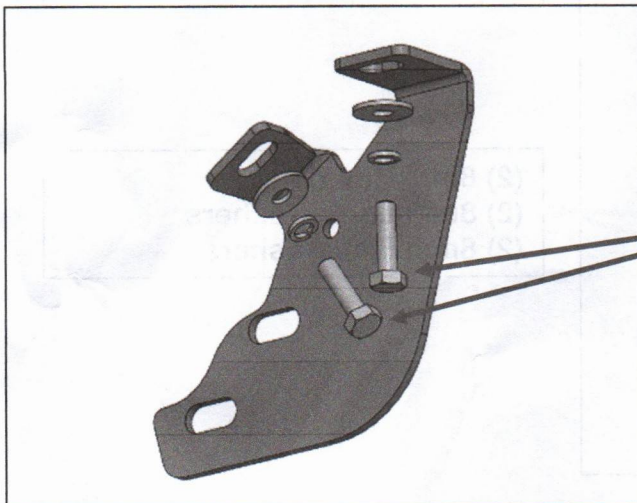


Wrench

- 1** Follow (Fig 1 – 5) to install the Mounting Brackets to the vehicle. Driver/left installation depicted, repeat for the Passenger/right side when completed. Do not fully tighten at this point.



(Fig 1) Locate the front mounting location circled and remove the OEM 8mm bolts.



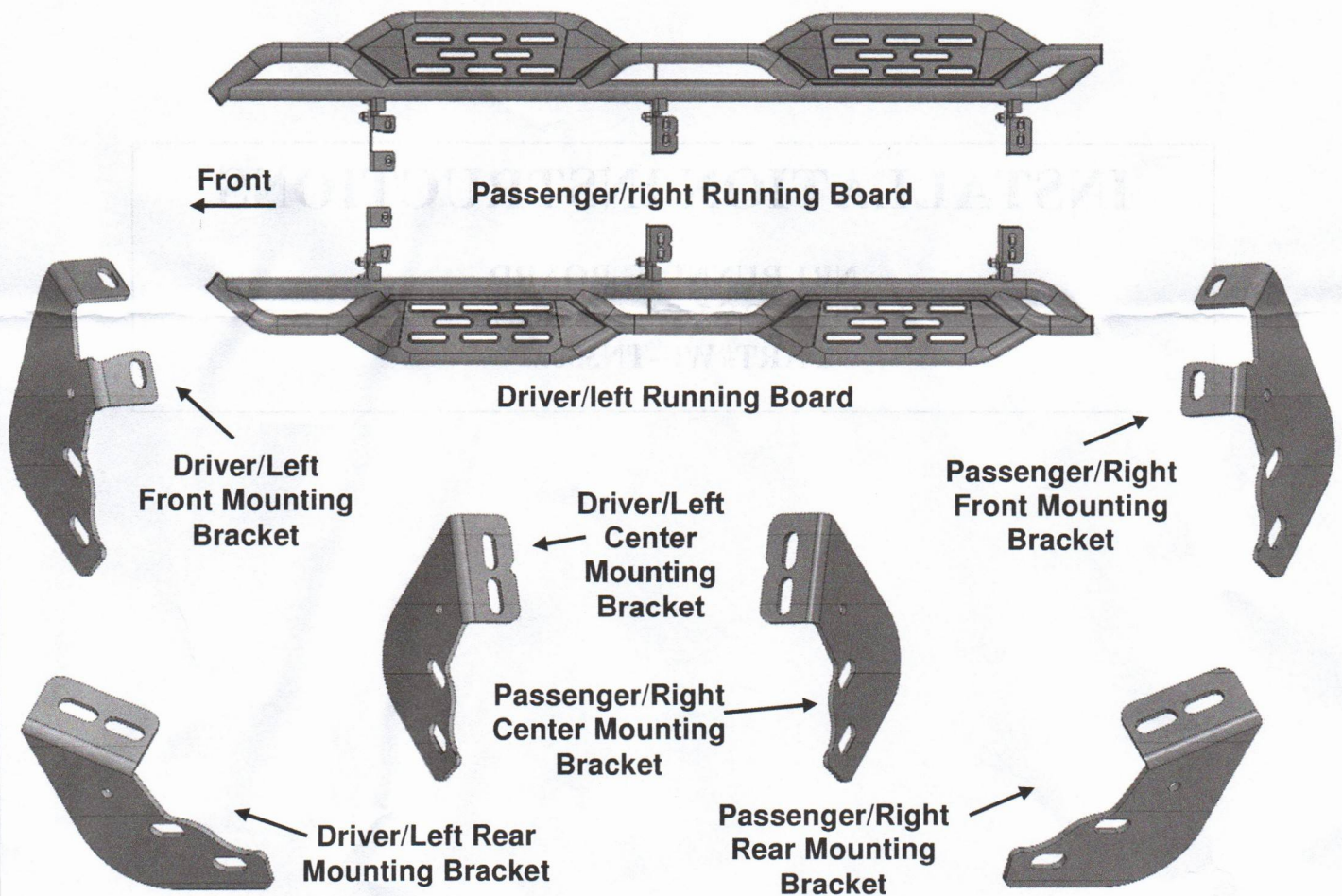
- (2) 8mm Hex Bolts**
- (2) 8mm Lock Washers**
- (2) 8mm Flat Washers**

(Fig 2) Install the Front Mounting Bracket as shown.

INSTALLATION INSTRUCTIONS

PARTS LIST:

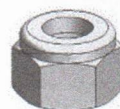
Qty	Description	Qty	Description
1	Driver/Left Running Board	1	Passenger/Right Rear Mounting Bracket
1	Passenger/Right Running Board	12	10-1.5mm x 30mm Hex Bolt
1	Driver/Left Front Mounting Bracket	12	10mm Nylon Lock Nuts
1	Passenger/Right Front Mounting Bracket	24	10mm x 27mm x 3mm Flat Washers
1	Driver/Left Center Mounting Bracket	12	8-1.25mm x 30mm Hex Bolts
1	Passenger/Right Center Mounting Bracket	12	8mm x 24mm x 2mm Flat Washers
1	Driver/Left Rear Mounting Bracket	12	8mm Lock Washers



Lock Washer



Flat Washer



Nylon Lock Nut



Hex Bolt

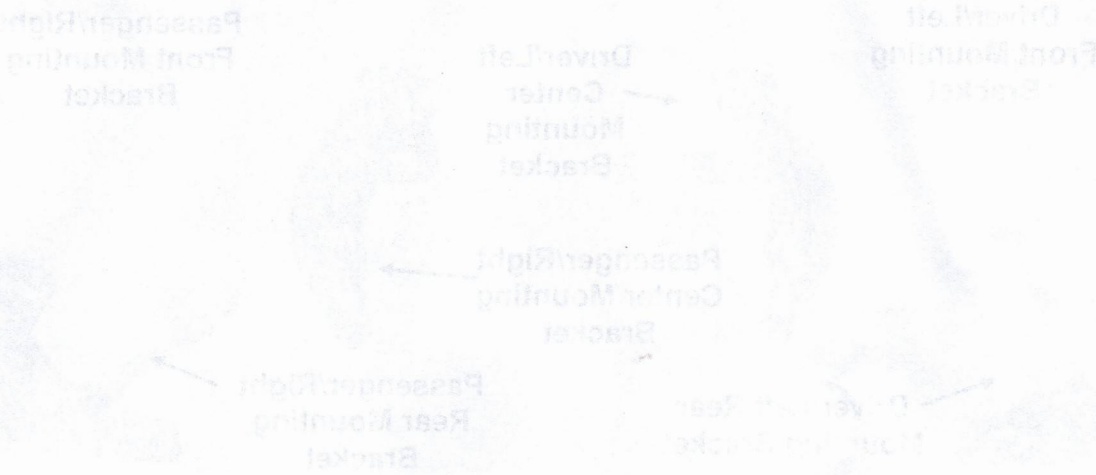
INSTALLATION INSTRUCTIONS

QW123

Qty	Description
12	Passenger Right Rear Mounting Bracket
12	10-1.5mm x 30mm Hex Bolt
12	10mm Nylon Lock Nut
24	10mm x 27mm x 3mm Flat Washers
12	8-1.5mm x 30mm Hex Bolt
12	8mm x 27mm x 3mm Flat Washer
12	8mm Lock Washer

INSTALLATION INSTRUCTIONS

NB1 RUNNING BOARD
2025 TOYOTA 4RUNNER
PART#WB-TN330M



Hex Bolt

Nylon Lock Nut

Flat Washer