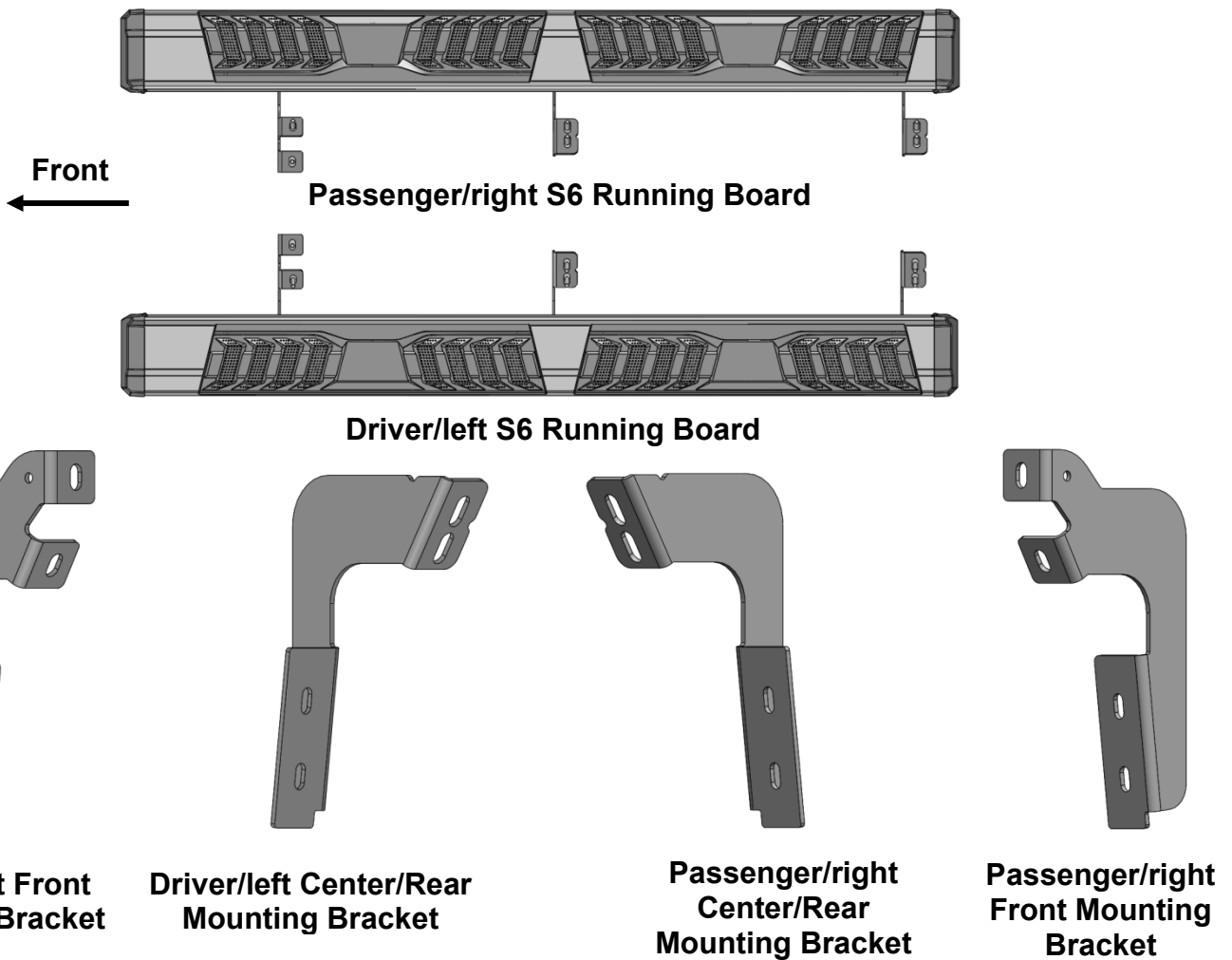


## INSTALLATION INSTRUCTIONS

PARTS LIST: TR50079; TR50080

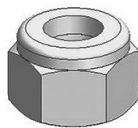
Qty	Description	QTY	Description
1	Driver/left S6 Running Board	12	8-1.25mm Nylon Lock Nuts
1	Passenger/right S6 Running Board	12	8-1.25mm x 30mm Hex Bolts
1	Driver/Left Front Mounting Bracket	12	8mm Lock Washers
1	Passenger/Right Front Mounting Bracket	24	8mm x 24mm x 2mm Flat Washers
2	Driver/Left Center and Rear Mounting Bracket	6	8-1.25mm x 35mm Double Bolt Plates
2	Passenger/Right Center and Rear Mounting Bracket		



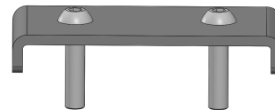
Lock Washer



Flat Washer



Nylon Lock Nut

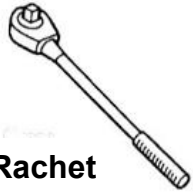


Double Bolt Plate



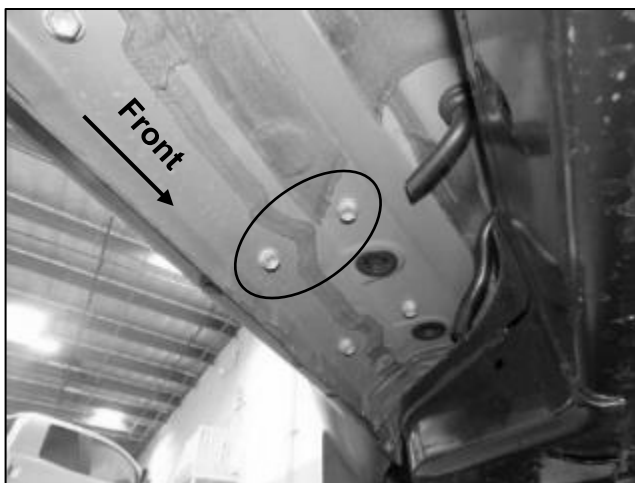
Hex Bolt

**TOOLS REQUIRED**

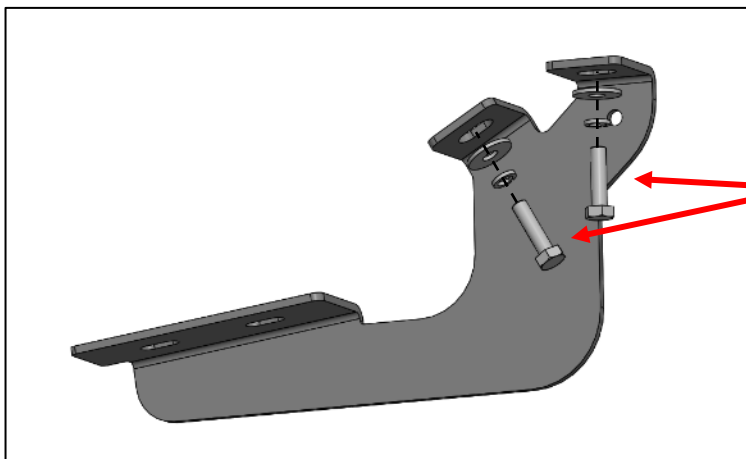


**1**

Follow (Fig 1 – 5) to install the Mounting Brackets to the vehicle. Driver/left side installation depicted, once installation is complete, repeat for the Passenger/right side. Do not fully tighten at this point.

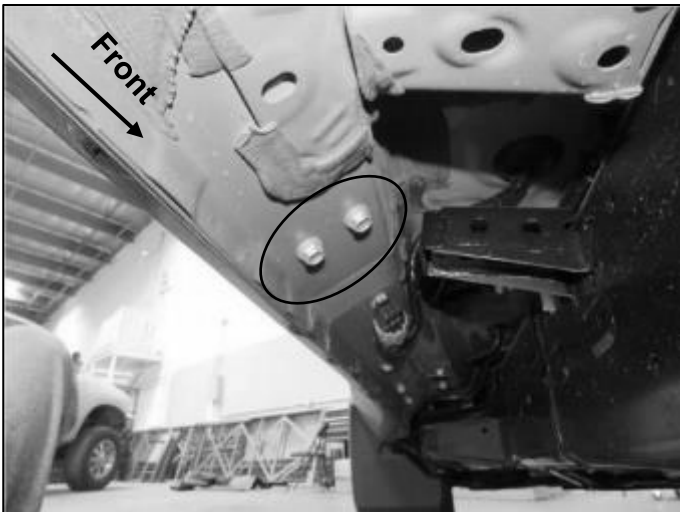


**(Fig 1) Locate the front mounting location circled and remove the OEM 8mm bolts.**



- (2) 8mm Hex Bolts**
- (2) 8mm Lock Washers**
- (2) 8mm Flat Washers**

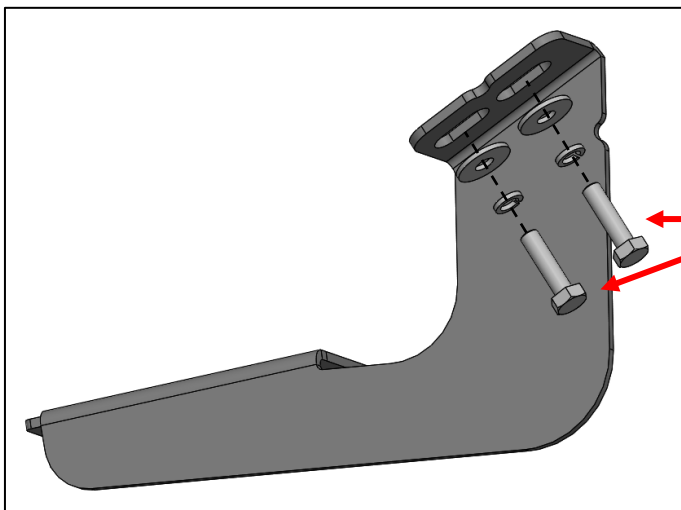
**(Fig 2) Install the Front Mounting Bracket as shown.**



**(Fig 3) Locate the center mounting points circled and remove the OEM 8mm bolts.**



**(Fig 4) Locate the rear mounting points circled and remove the OEM 8mm bolts.**

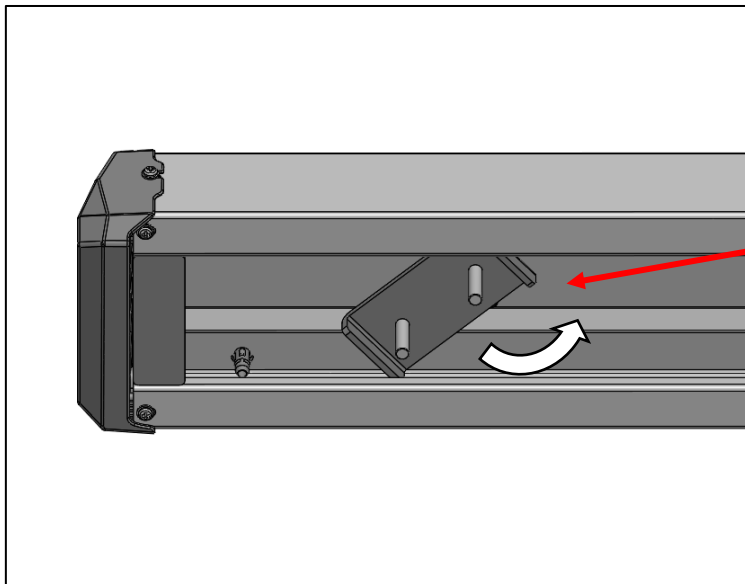


- (2) 8mm Hex Bolts**
- (2) 8mm Lock Washers**
- (2) 8mm Flat Washers**

**(Fig 5) Install the Center/Rear Mounting Brackets as shown.**

**2**

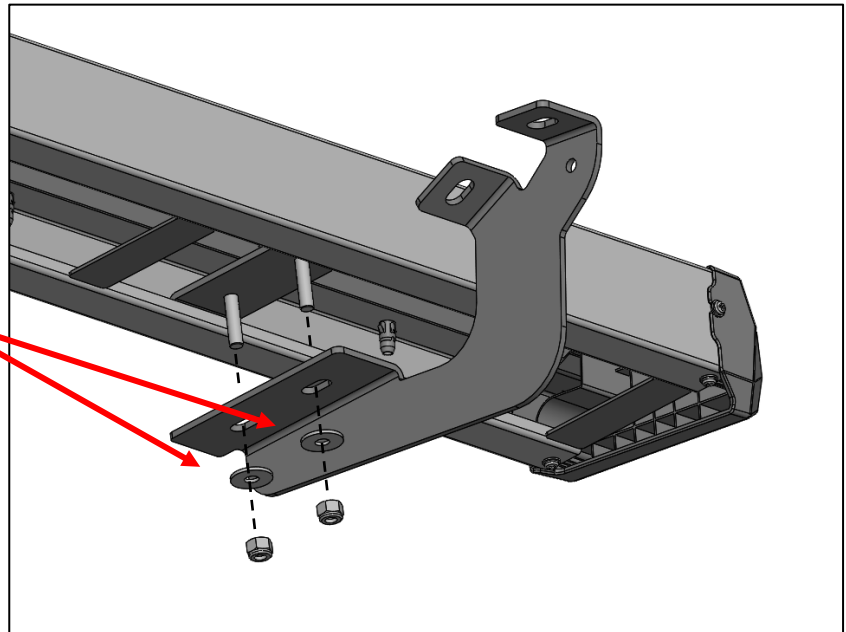
Follow (Fig 6 – 7) to install the S6 Running Board to the Mounting Brackets.



**(1) 8mm Double Bolt Plate**

**(Fig 6) Insert three Double Bolt Plates into the Driver/left Running Board.**

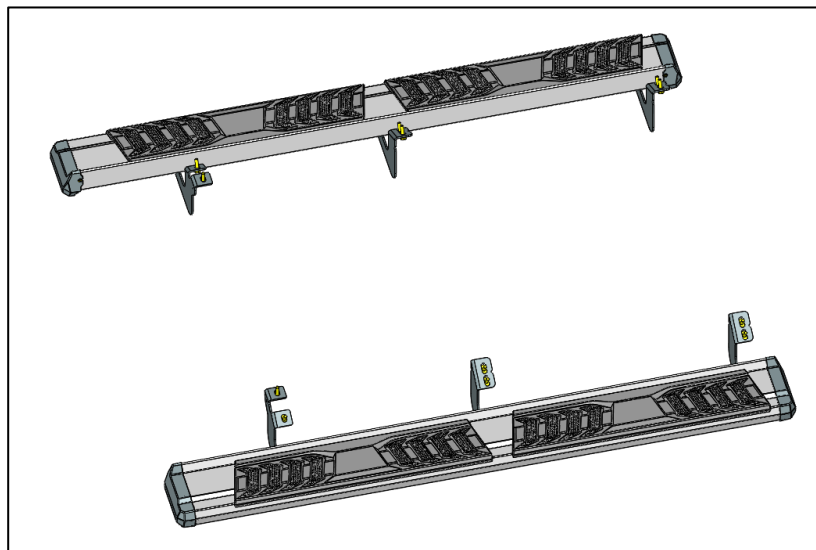
**(2) 8mm Flat Washers  
(2) 8mm Nylon Lock Nuts**



**(Fig 7) Align the Running Board to the Mounting Brackets and install as shown.**

**3**

Installation is now complete. Adjust and tighten all Mounting Brackets to the desired position. Perform periodic inspections to ensure that all hardware is fully tightened.



**Completed Installation**