

#2530B

Installation Instruction

Thank you very much for choosing our products.

Please read the installation instruction carefully before using our product and be sure to fully understand the contents mentioned above for subsequent installation.

In addition, please keep properly the installation instruction for product maintenance in future.

Attentions

- The following symbols are used in this installation instruction.



Caution

**Relevant matters must be obeyed for safety.
Non-compliance may result in injury or other accidents.
Please read carefully and obey strictly.**

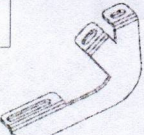

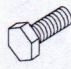








Note

**Relevant matters must be obeyed for the smooth installation
and use.**

- Non-compliance may cause the problems with vehicle. Please do not install that is not recorded in this instruction.
- Please forgive we are not responsible for any consequences if you install follow your individual subjective thoughts.

● Product Composition *Please confirm if it is missing.

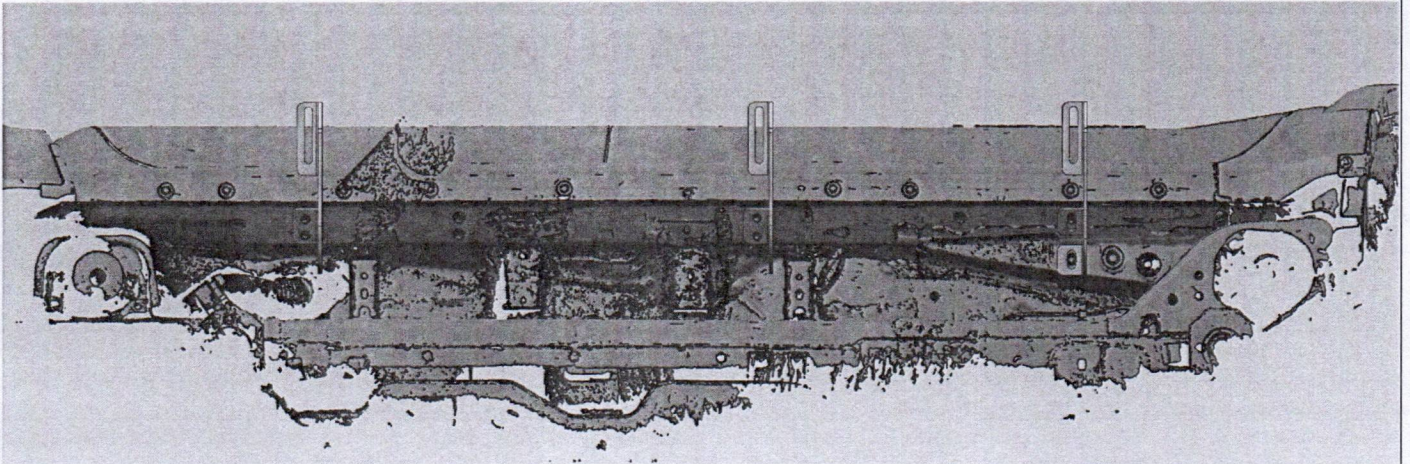
1. Component 1 (One on each side) 	2. Component 2 (Two pieces on each side) 	3. M8x30 hex bolt (12 piece) 	4. M8 spring washer (12 piece) 	5. M8 flat washer (12 piece) 
Ratchet 	Torque wrench 	socket 	plum wrench 	

● WAttentions

- The labels of fitting procedure inside the thick wireframe is particularly important. Pay attention to them in the actual installation.
- Pay attention to safety during installation.

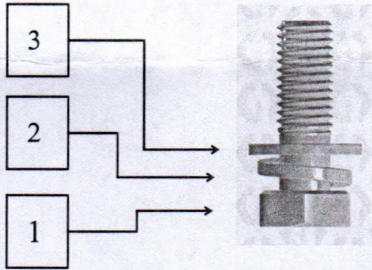
Fitting Procedure

Fron



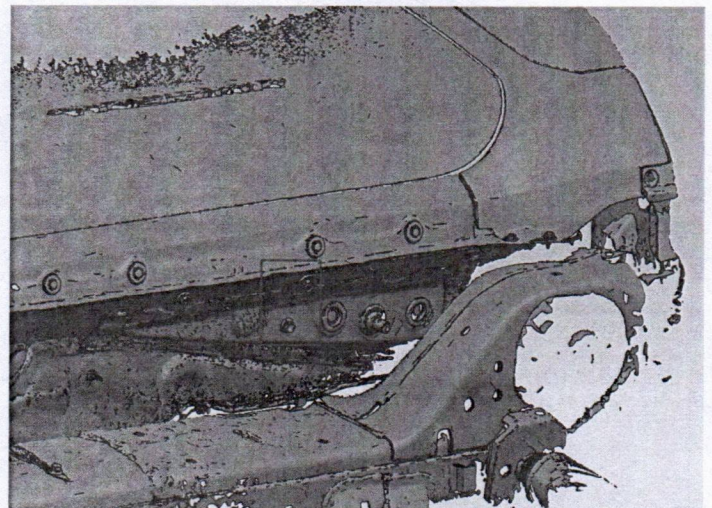
The combination method is as follows:

- 1.M8 * 30 hex bolts/body screws
- 2.M8 flat washers
- 3.M8 spring washers



1. Starting from the driver/left front of the vehicle, locate the two factory holes on the bottom floor panel (Figure 1), find and remove the screws at the bottom of the inner frame channel or use the existing screws on the vehicle body

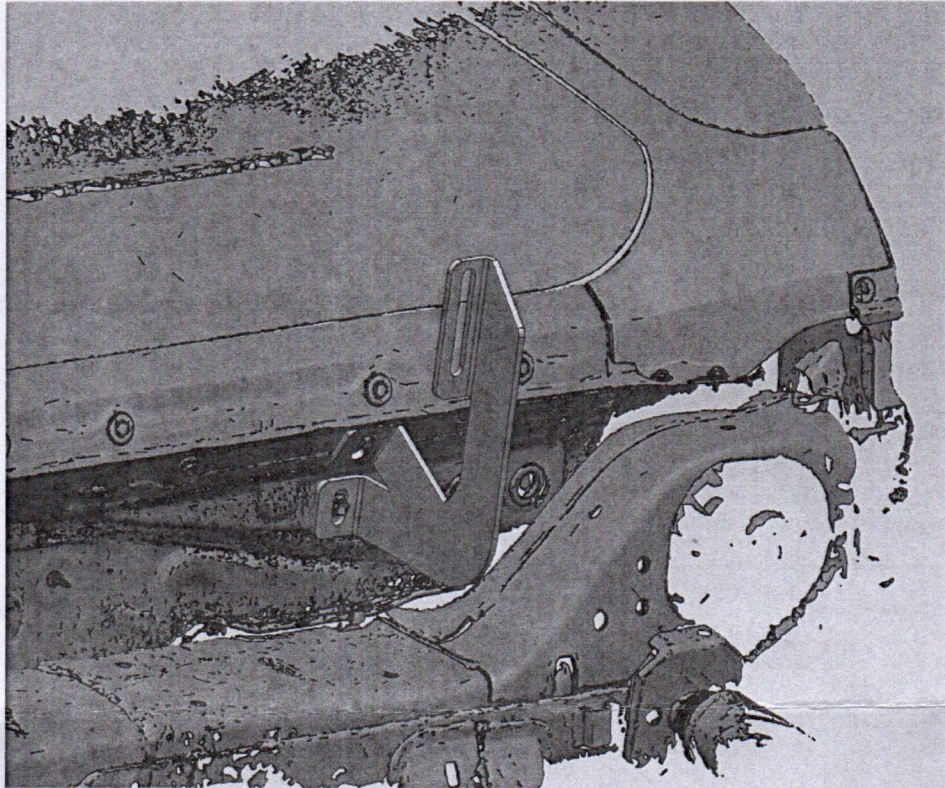
Fron



Remove the screws from the vehicle body

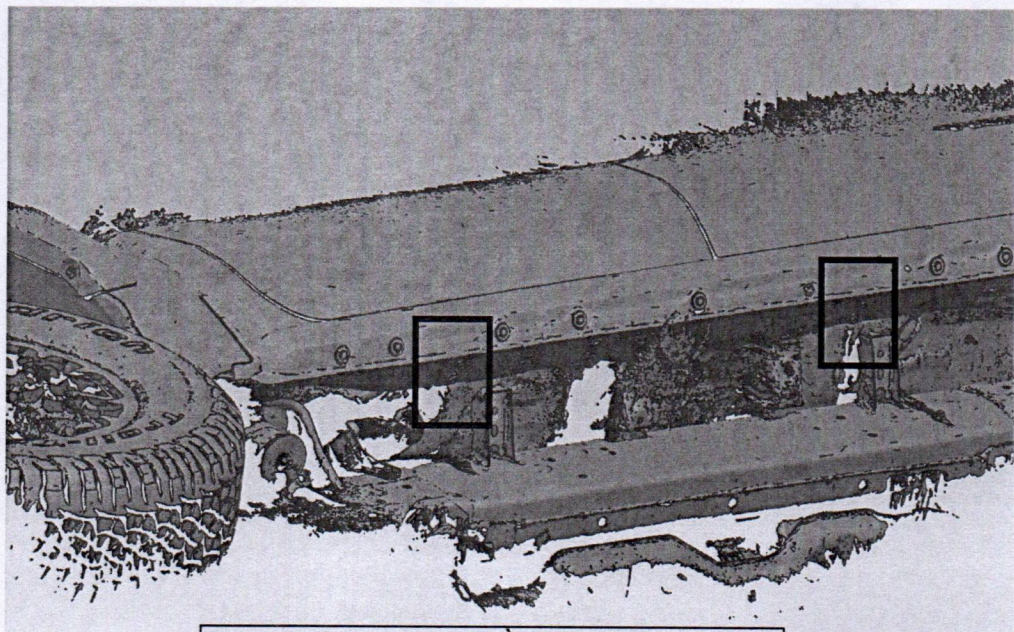
2. Select the driver's side front bracket. Hang the bracket on (2) bolt plates using the accompanying (3) M8 * 30 hex bolts/body screws, (4) M8 flat washers, and (5) M8 spring washers (Figure 1). Tighten but do not fully tighten the hardware at this time.existing screws on the vehicle body

Figure 1



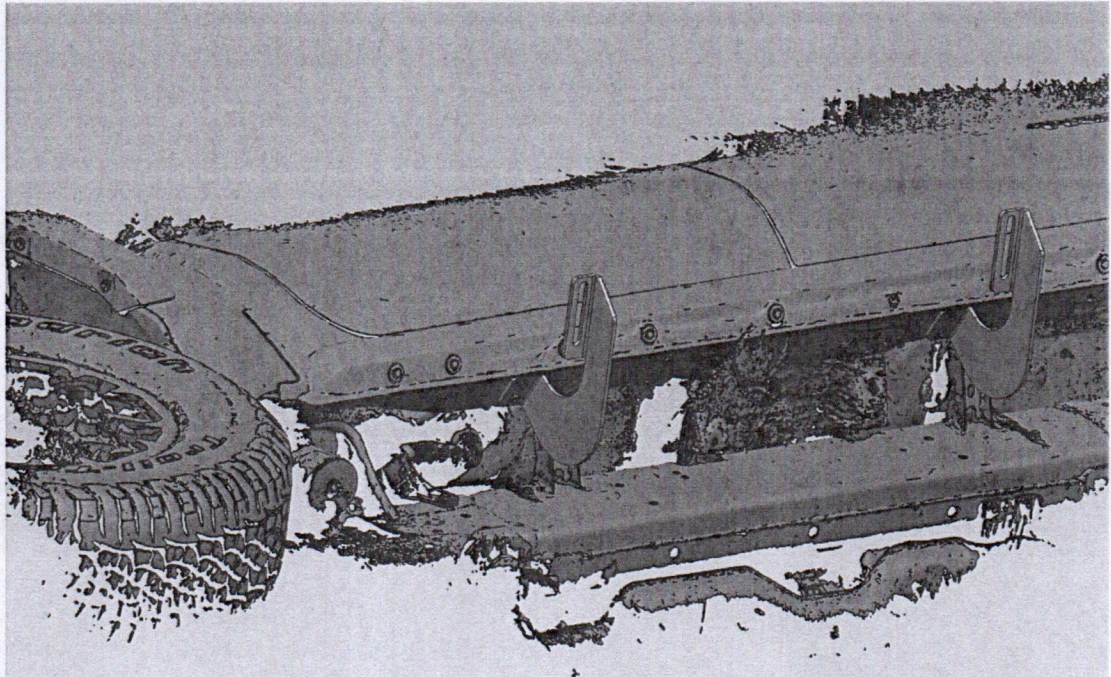
3. Choose the driver's side central bracket or the driver's side rear bracket. Hang the bracket on (2) bolt plates using the accompanying (3) M8 * 30 hex bolts/body screws, (4) M8 flat washers, and (5) M8 spring washers (Figure 2-Figure 3). Tighten but do not fully tighten the hardware at this time.existing screws on the vehicle body

Figure 2



Remove the screws from the vehicle body

Figure 3



TIPS

= Routine Maintenance =

- 1) Please use neutral detergent to wet the soft cloth or suede and so on, then clean our produc

Note

- Do not use any hard objects such as brushes. Otherwise, it will cause surface scratches.
- Please protect the product from gasoline, light fuel, fuel oil, brake fuel, engine oil, paint thinner, sulphuric acid(battery liquid), wax remover, etc. Otherwise, it will cause product discoloration and dyeing. In case product come into contact with above objects, please use neutral detergent to wet the soft cloth or suede and so on, then clean our product and wash it with water quickly.