

INSTALLATION INSTRUCTIONS

NB1 RUNNING BOARDS

**2010—24 TOYOTA 4RUNNER MODELS WITH LOWER ROCKER PANEL
EXTENSIONS**

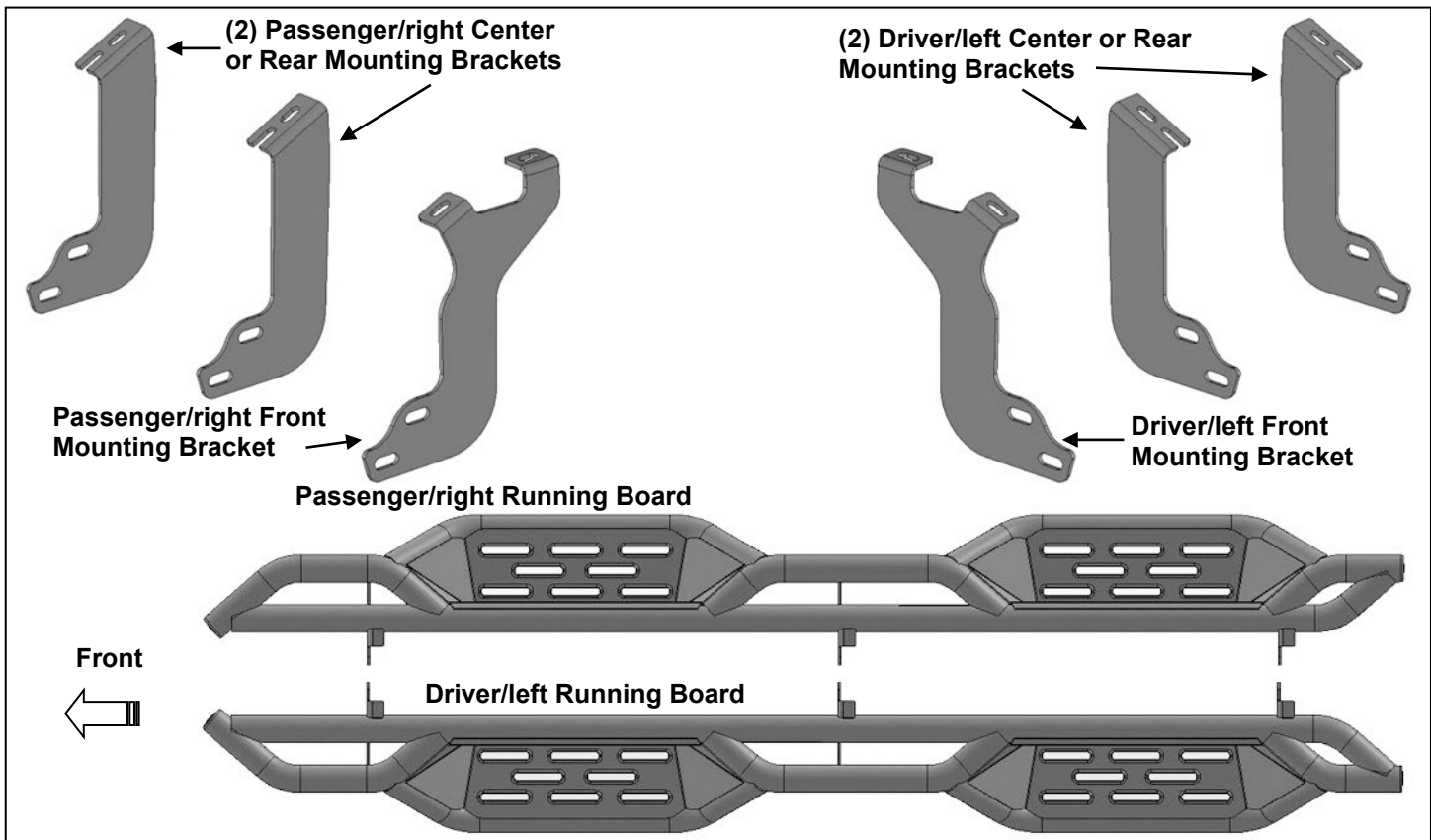
**(INCLUDES 2010-13 SR5, 2010-24 LIMITED, 2019-22 NIGHTSHADE, AND
MODELS WITH LOWER ROCKER PANEL EXTENSIONS)**

TR33678

2010—24 TOYOTA 4RUNNER MODELS WITH LOWER ROCKER PANEL EXTENSIONS
INCLUDES 2010-13 SR5, 2010-24 LIMITED, 2019-22 NIGHTSHADE, AND MODELS WITH LOWER ROCKER PANEL EXTENSIONS

PARTS LIST:

Qty	Description	Qty	Description
1	Driver/Left Running Board	12	10-1.5mm x 35mm Hex Bolts
1	Passenger/Right Running Board	24	10mm x 27mm x 3mm Flat Washers
1	Driver/Left Front Mounting Bracket	12	10mm Nylon Lock Nuts
1	Passenger/Right Front Mounting Bracket	12	8-1.25mm x 30mm Hex Bolts
2	Driver/Left Center/Rear Mounting Brackets	12	8mm x 24mm x 2mm Flat Washers
2	Passenger/Right Center/Rear Mounting Brackets	12	8mm Lock Washers

**PROCEDURE:**

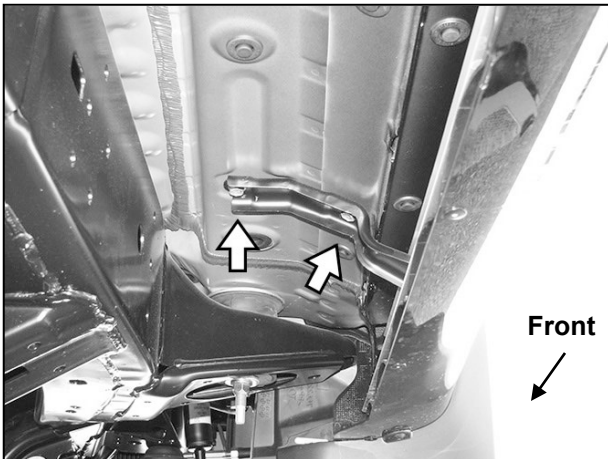
- 1. REMOVE CONTENTS FROM BOX. VERIFY ALL PARTS ARE PRESENT. READ INSTRUCTIONS CAREFULLY. ASSISTANCE IS RECOMMENDED.**
- Start installation on the passenger/right side of the vehicle. Locate the front lower rocker panel bracket attached to the bottom of the body, **(Figure 1)**. Remove the (2) factory hex bolts securing the bracket. **NOTE:** Only install (1) Mounting Bracket at a time.
- Select the passenger/right Front Mounting Bracket, **(Figure 2)**. Hold the Bracket in place over the factory rocker panel bracket. Attach the Mounting Bracket to the rocker panel bracket and vehicle with the included (2) 8mm x 30mm Hex Bolts, (2) 8mm Lock Washers and (2) 8mm Flat Washers, **(Figure 2)**. Do not fully tighten hardware at this time.
- Move to the center of the vehicle, **(Figure 3)**. Select (1) passenger/right Center/Rear Mounting Bracket, **(Figure 4)**. Repeat **Steps 2 & 3** for Center Bracket installation, **(Figure 3)**.
- Continue on to the last mounting location, **(Figure 5)**. Select the remaining (1) passenger/right Center/Rear Mounting Bracket, **(Figure 4)**. Repeat **Steps 2 & 3** for Rear Bracket installation.
- With assistance, carefully place the passenger/right Running Board up to the front facing side of the (3) Brackets, **(Figures 6 & 7)**. Attach the Running Board to the Mounting Brackets with the included (6) 10mm x 35mm Hex Bolts, (12) 10mm Flat Washers and (6) 10mm Nylon Lock Nuts, **(Figures 6 & 7)**. Do not tighten at this time.

2010—24 TOYOTA 4RUNNER MODELS WITH LOWER ROCKER PANEL EXTENSIONS
 INCLUDES 2010-13 SR5, 2010-24 LIMITED, 2019-22 NIGHTSHADE, AND MODELS WITH LOWER ROCKER PANEL EXTENSIONS

7. Level and adjust the Running Board properly and tighten all hardware.
8. Repeat **Steps 2—7** for driver/left Running Board installation.
9. Do periodic inspections to the installation to make sure that all hardware is secure and tight.

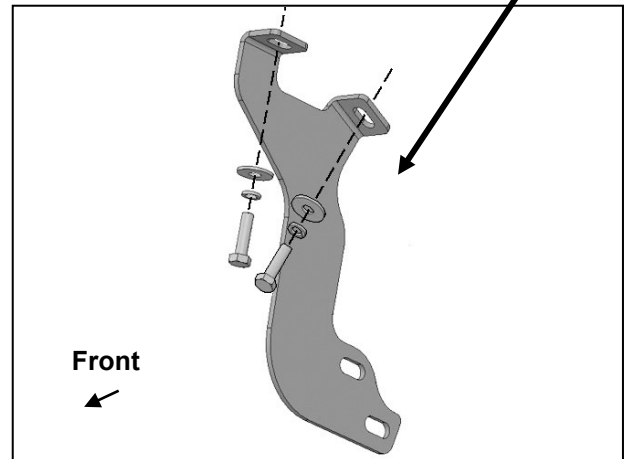
To protect your investment, Do not use any type of polish or wax that may contain abrasives that could damage the finish. Mild soap may be used to clean the Running Boards.

Passenger/right Side Installation Pictured



(Fig 1) Remove (2) hex bolts (arrows) from passenger/right front mounting location

- (2) 8mm x 30mm Hex Bolts
- (2) 8mm Lock Washers
- (2) 8mm Flat Washers

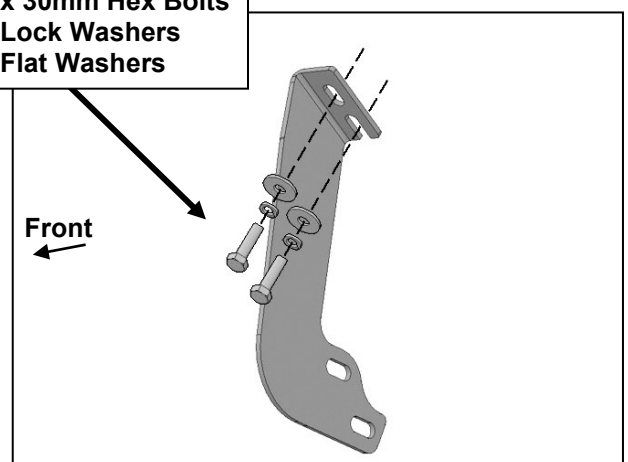


(Fig 2) Attach passenger/right front Mounting Bracket to front rocker panel bracket



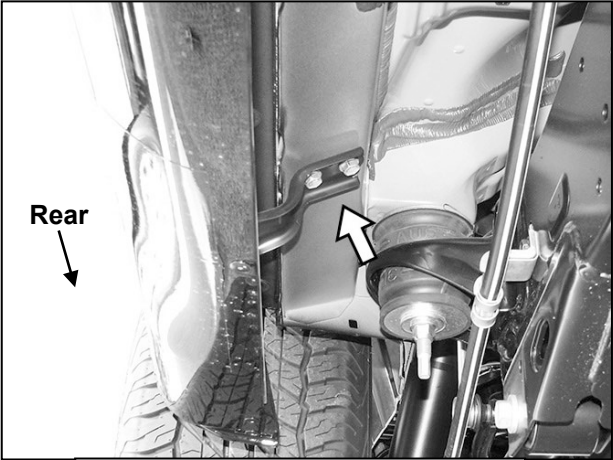
(Fig 3) Remove (2) hex bolts from passenger/right center mounting location (arrow)

- (2) 8mm x 30mm Hex Bolts
- (2) 8mm Lock Washers
- (2) 8mm Flat Washers



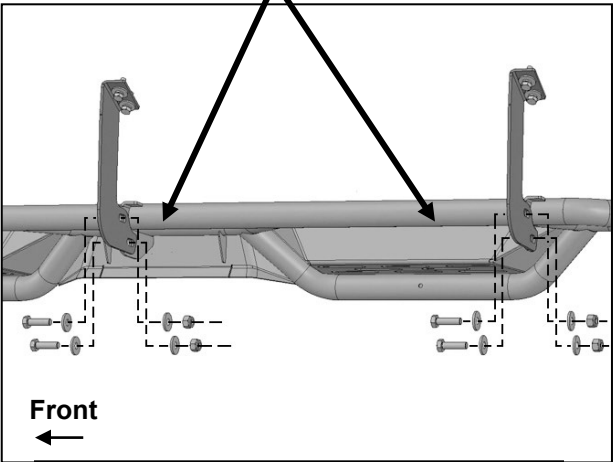
(Fig 4) Attach passenger/right center/rear Mounting Brackets to center and rear mounting locations

Passenger/right Side Installation Pictured



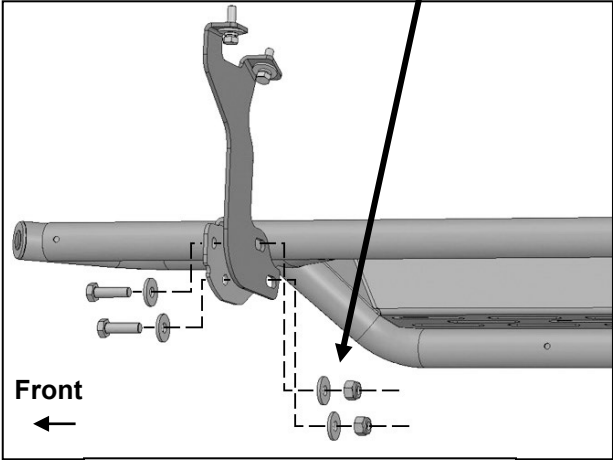
(Fig 5) Remove (2) hex bolts from passenger/right rear mounting location (arrow)

- (2) 10mm x 35mm Hex Bolts
- (4) 10mm Flat Washers
- (2) 10mm Nylon Lock Nuts

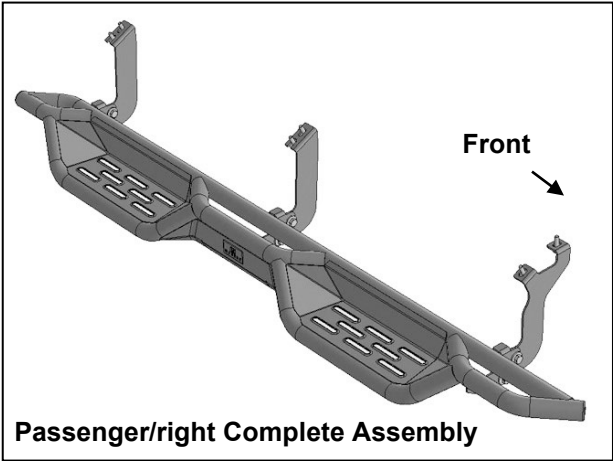


(Fig 7) Attach Running Board to front of center and rear Mounting Brackets

- (2) 10mm x 35mm Hex Bolts
- (4) 10mm Flat Washers
- (2) 10mm Nylon Lock Nuts



(Fig 6) Attach Running Board to front of front Mounting Bracket



Passenger/right Complete Assembly