

INSTALLATION INSTRUCTION

**Bull Bar Brackets
10-16 Toyota 4Runner
PART #F71**



**BLACK HORSE
OFF ROAD**

INSTALLATION INSTRUCTION

ITEM NO.: BKIT-DWTO-713-33-40B

DESCRIPTION: 2010-2017 4RUNNER BULLBAR BRACKET KITS (EXCLUDING LIMITED MODELS)

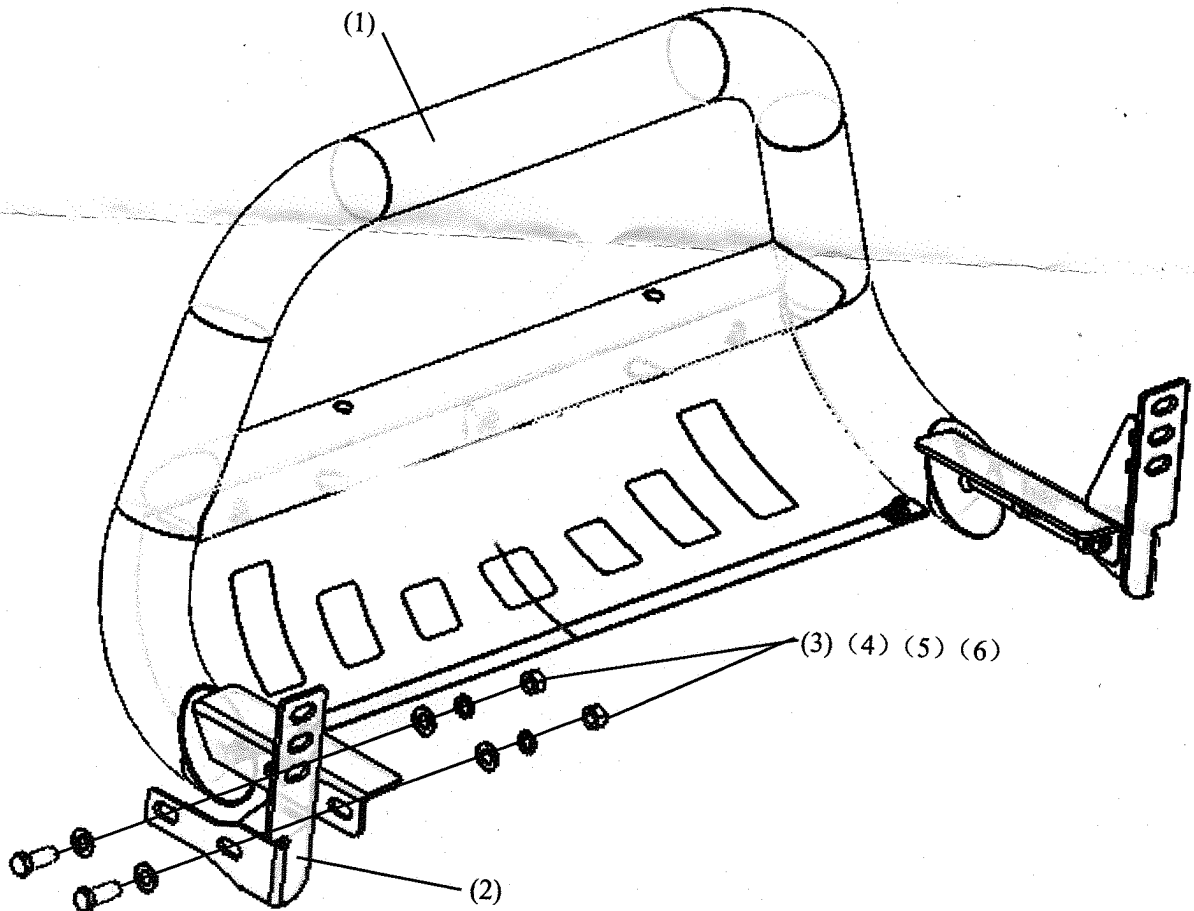
Attention:

- Please read this installation menu before installing this part. Protect your car properly in case there is any scratch might happen.
- You may need to periodically to re-tighten all hardware for safety use after installation.
- Installation pictures are only for your reference, there might be some differences between pictures and real parts but no effect for your fitting.

PART LIST

NO.	NAME	QTY	REMARK	NO.	NAME	QTY	REMARK
(1)	Grille Guard	1		(5)	Spring Washer	4	φ12
(2)	Bracket	2		(6)	Hexagon Nut	4	M12
(3)	Hexagon Head Bolt	4	M12*35	(7)	Socket Head Wrench	1	S=4
(4)	Flat Washer	8	φ12*25*2.5				

INSTALLATION PICTURES



Disclaimer: Caused due to improper installation initiates some related problem and losses, are beyond our company's quality assurance.