

BARRICADE

INSTALLATION INSTRUCTIONS

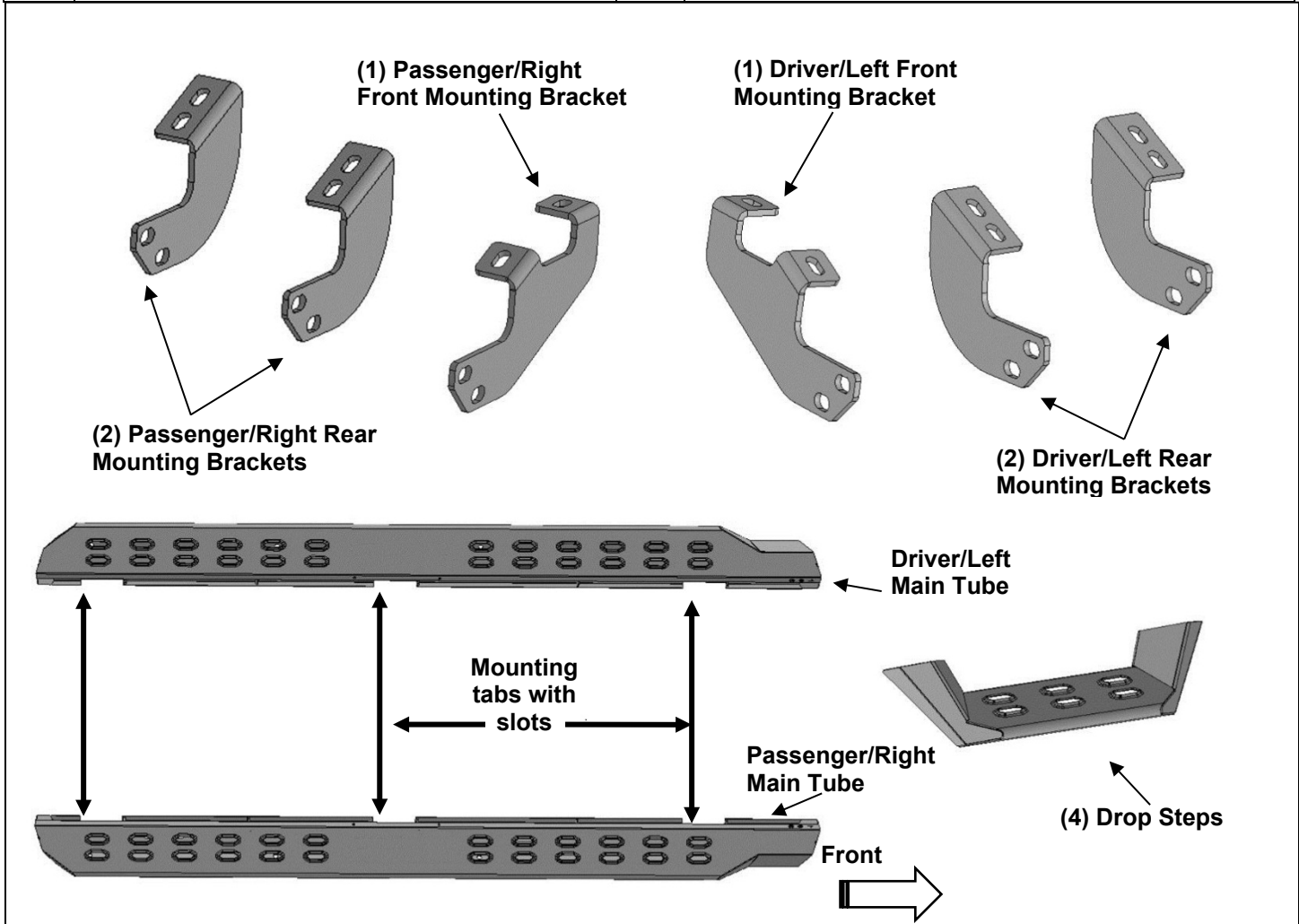
HD OVERLAND DROP SIDE STEP BARS

2010-2023 4RUNNER

**(EXCLUDING 2010-13 SR5, 2010-22 LIMITED & 19-22 NIGHTSHADE EDITION
OR MODELS WITH LOWER ROCKER PANEL EXTENSIONS)**

PARTS LIST:

1	Driver/Left Main Tube	12	10mm Nylon Lock Nuts
1	Passenger/Right Main Tube	24	10mm x 20mm x 2mm Flat Washers
4	Drop Steps	12	10mm x 30mm Hex Bolts
1	Driver/Left Front Mounting Bracket	12	8mm x 30mm Hex Bolts
1	Passenger/Right Front Mounting Bracket	12	8mm x 24mm x 2mm Flat Washers
2	Driver/Left Rear Mounting Bracket	12	8mm Lock Washers
2	Passenger/Right Rear Mounting Bracket	16	8mm x 22mm x 2mm Flat Washers (Drop Step Assembly)
8	8mm x 25mm Bolt Plates	16	8mm Nylon Lock Nuts (Drop Step Assembly)



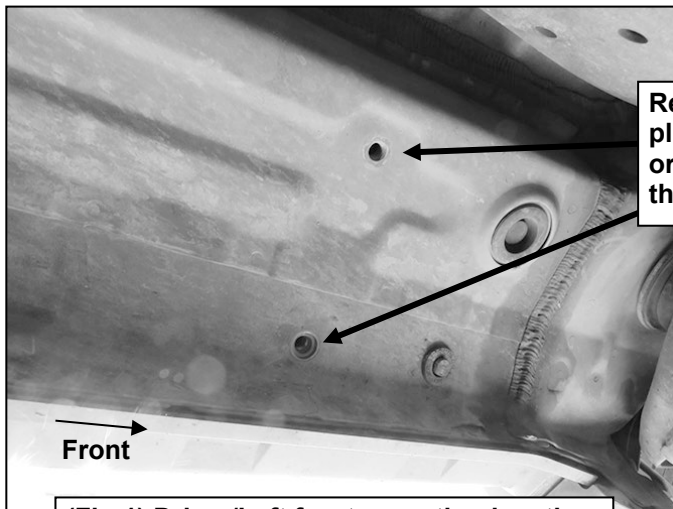
PROCEDURE:

- 1. REMOVE CONTENTS FROM BOX. VERIFY ALL PARTS ARE PRESENT. READ INSTRUCTIONS CAREFULLY. ASSISTANCE IS HIGHLY RECOMMENDED.**
- Starting on the Driver/Left side of the vehicle, remove the plastic plugs or hex bolts from the factory mounting location along the bottom of the body, **(Figures 1, 3 & 4)**.
- Select the Driver/Left Front Mounting Bracket. Attach the Mounting Bracket to the front mounting location with (2) 8mm Hex Bolts, (2) 8mm Lock Washers and (2) 8mm Flat Washers, **(Figures 1—2)**. Do not tighten hardware.

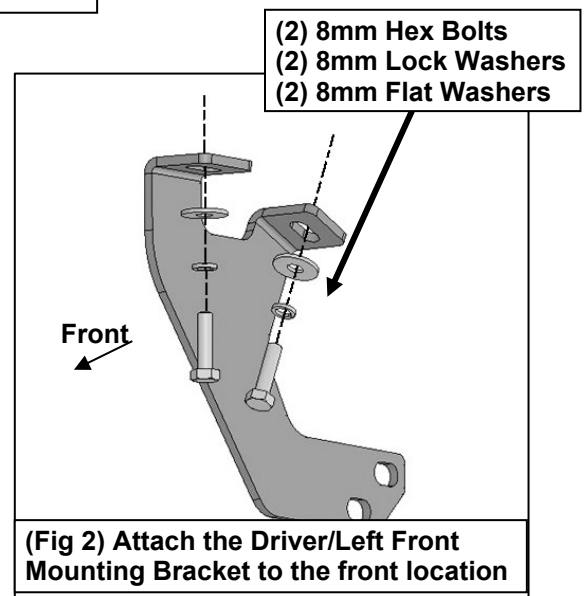
4. Select (1) Driver/Left Rear Mounting Bracket. Attach the Mounting Bracket to the center location with (2) 8mm Hex Bolts, (2) 8mm Lock Washers and (2) 8mm Flat Washers, **(Figures 3 & 5)**. Do not tighten hardware.
5. Repeat **Step 4** to attach (1) Driver/Left Rear Mounting Bracket to the rear location, **(Figures 4 & 5)**. Do not tighten hardware.
6. Select the Driver/Left Main Tube. **IMPORTANT:** Use the illustration above to help identify the correct Main Tube. Insert (2) 8mm Bolt Plates into the front (2) sets of (2) holes, **(Figure 6)**. Attach (1) Drop Step to the (2) Bolt Plates with (4) 8mm x 22mm Flat Washers and (4) 8mm Nylon Lock Nuts, **(Figure 7)**. Do not tighten hardware.
7. With assistance, line up the holes in the mounting tabs on the Running Board to the rear facing slots in the Mounting Brackets. Attach the Driver/Left Main Tube to the Mounting Brackets with (6) 10mm Hex Bolts, (12) 10mm Flat Washers and (6) 10mm Nylon Lock Nuts, **(Figure 8)**. Do not tighten hardware.
8. Level and adjust the Driver/Left Main Tube and tighten all hardware.
9. Repeat **Steps 2—7** to attach the Passenger/Right Main Tube.
10. Do periodic inspections to the installation to make sure that all hardware is secure and tight.

To protect your investment: Do not use any type of polish or wax that may contain abrasives that could damage the finish. Use only mild soap to clean the Slider Drop Steps.

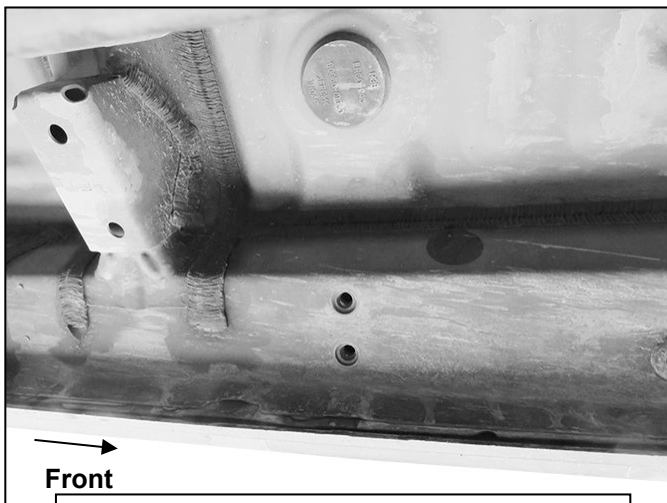
Driver/Left Side Installation Pictured



(Fig 1) Driver/Left front mounting location

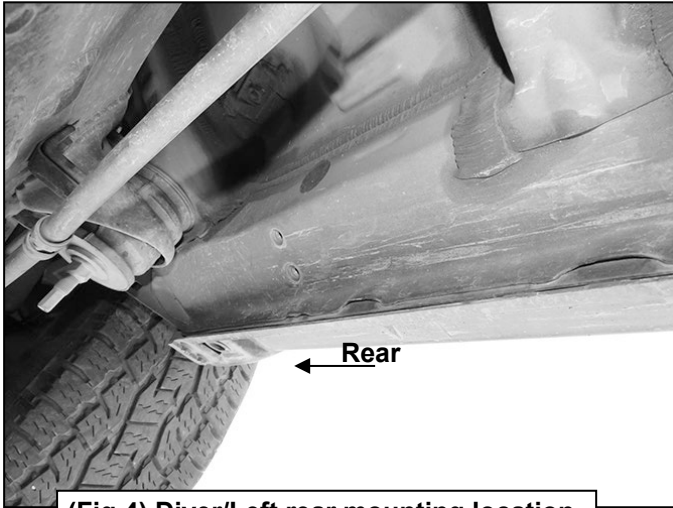


(Fig 2) Attach the Driver/Left Front Mounting Bracket to the front location

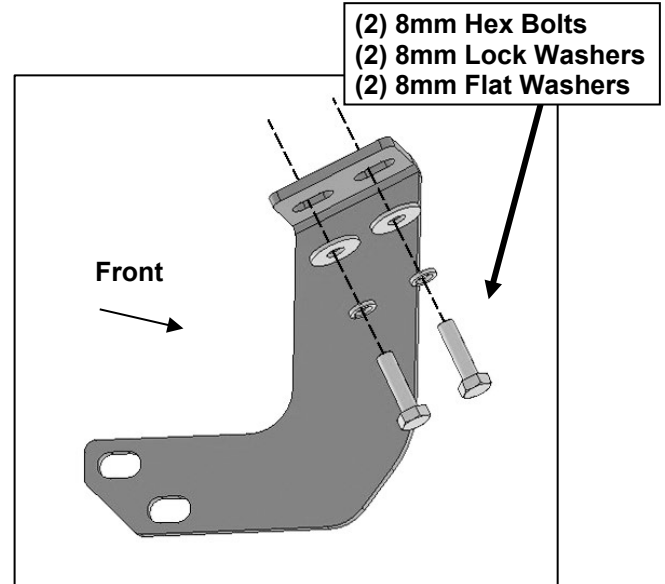


(Fig 3) Driver/Left center mounting location

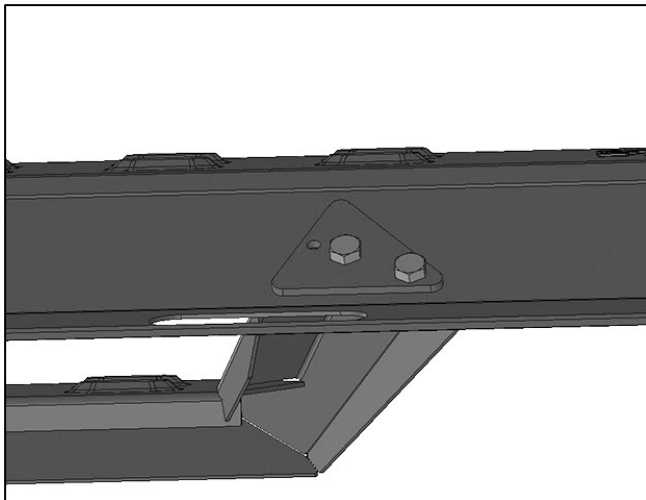
Driver/Left Side Installation Pictured



(Fig 4) Diver/Left rear mounting location

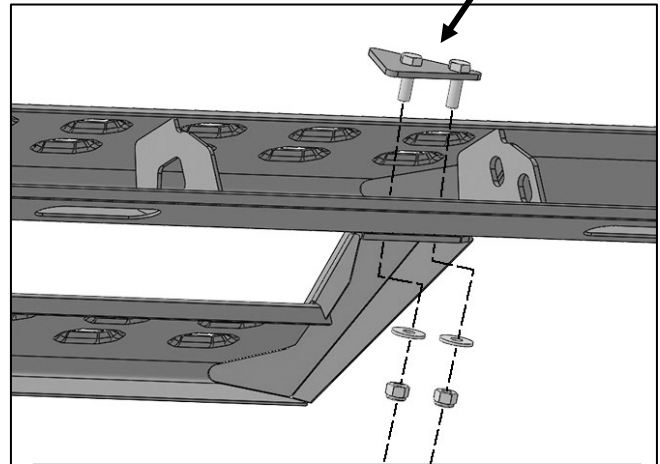


(Fig 5) Attach (1) Driver/Left Rear Mounting Bracket to the center and rear location

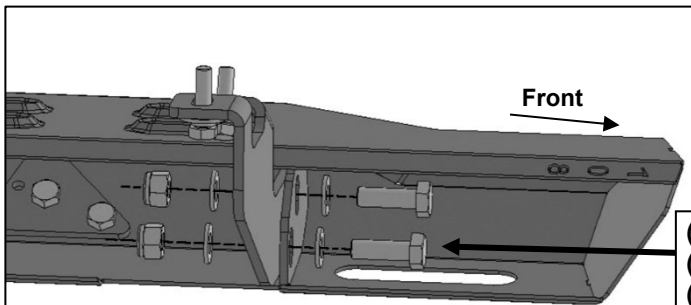


(Fig 6) Insert (1) Bolt Plate into the holes in the Tube

- (1) 8mm Bolt Plate
- (2) 8mm x 22mm Flat Washers
- (2) 8mm Nylon Lock Nuts



(Fig 7) Attach (1) Drop Step to (2) Bolt Plates



(Fig 8) Attach the Driver/Left Main Tube to the Mounting Brackets

- (2) 10mm Hex Bolts
- (4) 10mm Flat Washers
- (2) 10mm Nylon Lock Nuts