

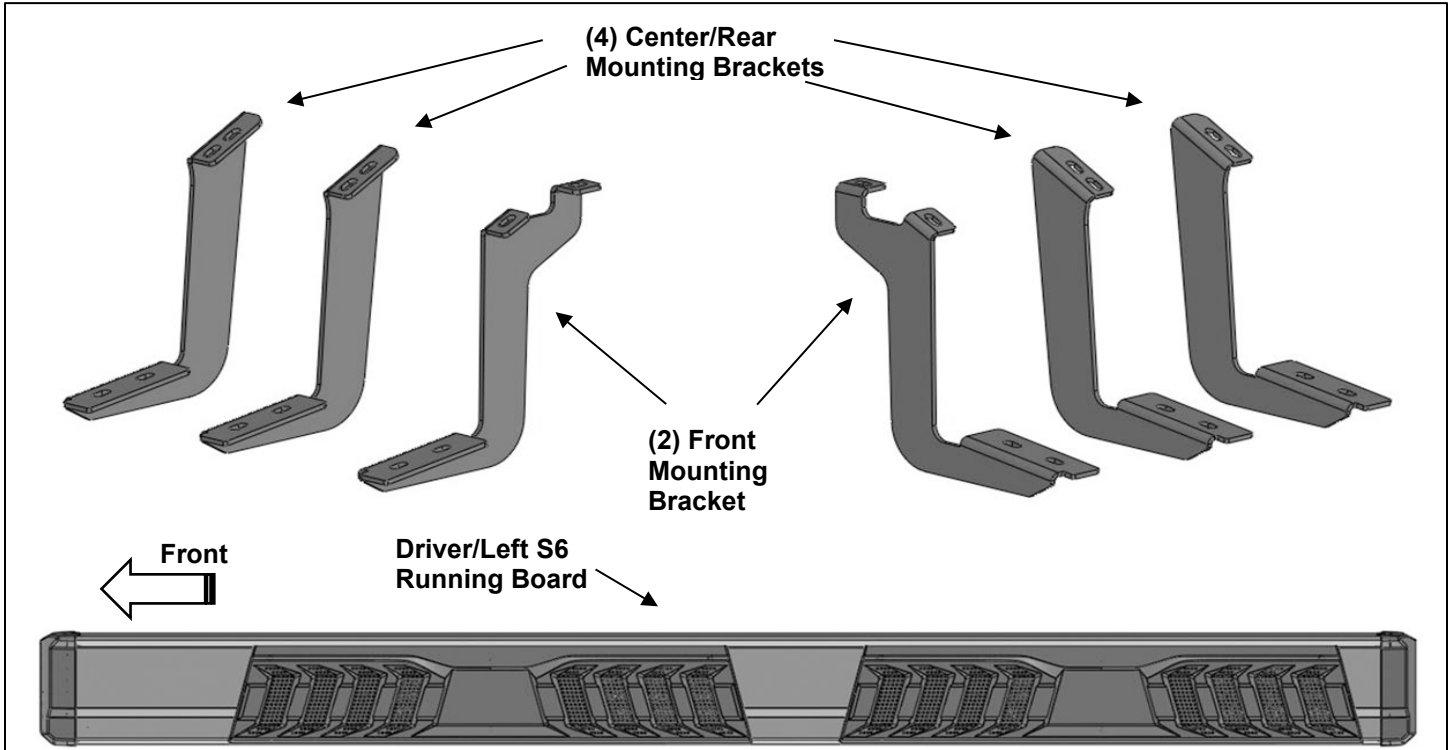
# **INSTALLATION INSTRUCTIONS**

## **Barricade S6 Running Boards**

**10-13 TOYOTA 4RUNNER SR5, 10-22 4RUNNER LIMITED, & 19-22 4RUNNER  
NIGHTSHADE EDITION**

**PARTS LIST:**

|   |                                  |    |                                  |
|---|----------------------------------|----|----------------------------------|
| 1 | Driver/Left S6 Running Board     | 6  | 8mm x 35mm Double Bolt Plates    |
| 1 | Passenger/Right S6 Running Board | 12 | 8mm x 30mm Hex Bolts             |
| 2 | Front Mounting Brackets          | 24 | 8mm x 24mm OD x 2mm Flat Washers |
| 4 | Center/Rear Mounting Brackets    | 12 | 8mm Lock Washers                 |
|   |                                  | 12 | 8mm Nylon Lock Nuts              |

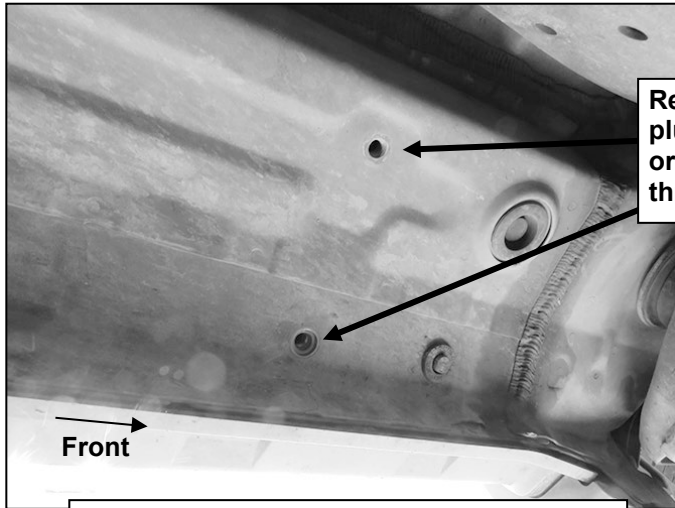


**PROCEDURE:**

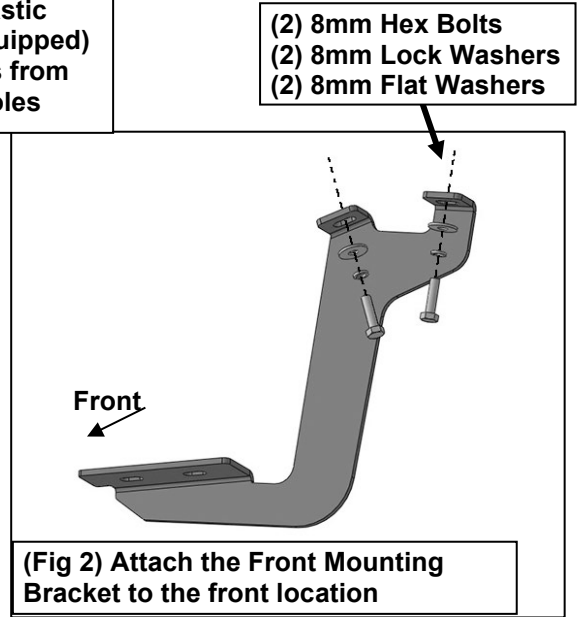
- 1. REMOVE CONTENTS FROM BOX. VERIFY ALL PARTS ARE PRESENT. READ INSTRUCTIONS CAREFULLY. ASSISTANCE IS HIGHLY RECOMMENDED.**
- Starting on the Driver/Left side of the vehicle, remove the plastic plugs or hex bolts from the factory mounting location along the bottom of the body, **(Figures 1, 4 & 7)**.
- Select the Front Mounting Bracket. Attach the Mounting Bracket to the front mounting location with (2) 8mm Hex Bolts, (2) 8mm Lock Washers and (2) 8mm Flat Washers, **(Figures 1—3)**. Do not tighten hardware.
- Select (1) Center/Rear Mounting Bracket. Attach the Mounting Bracket to the center location with (2) 8mm Hex Bolts, (2) 8mm Lock Washers and (2) 8mm Flat Washers, **(Figures 4—6)**. Do not tighten hardware.
- Repeat **Step 4** to attach (1) Center/Rear Mounting Bracket to the rear location, **(Figures 7 & 8)**. Do not tighten hardware.
- Select the Driver/Left S6 Running Board. Select (3) Double Bolt Plates. Insert the Bolt Plates into the channel in the bottom of the Running Board closest to the Brackets, **(Figure 9)**. Lift the Running Board up and guide the studs through the Brackets. **IMPORTANT:** Do not slide, (front to back), the Running Board on the Brackets or damage to the finish may result.
- Attach the Running Board to the Mounting Brackets with (6) 8mm Flat Washers and (6) 8mm Nylon Lock Nuts, **(Figure 10)**. Do not tighten hardware.
- Level and adjust the Running Board and tighten all hardware.
- Repeat **Steps 2—8** to attach the Passenger/Right S6 Running Board.
- Do periodic inspections to the installation to make sure that all hardware is secure and tight.

**To protect your investment,** Do not use any type of polish or wax that may contain abrasives that could damage the finish. Use only mild soap to clean the Running Boards.

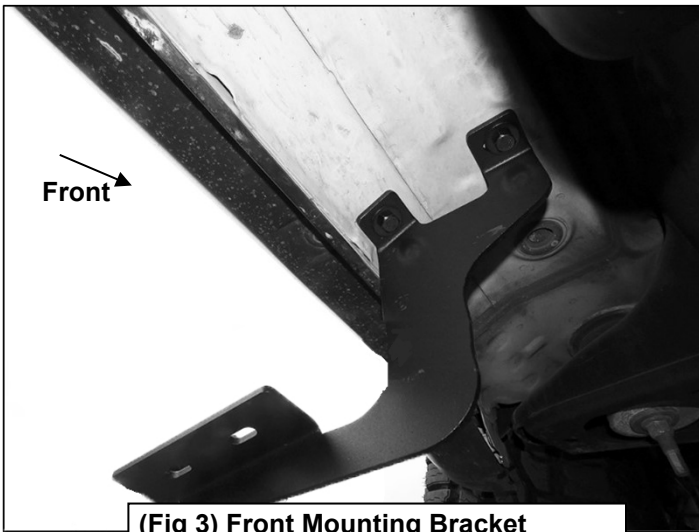
### Driver/Left Side Installation Pictured



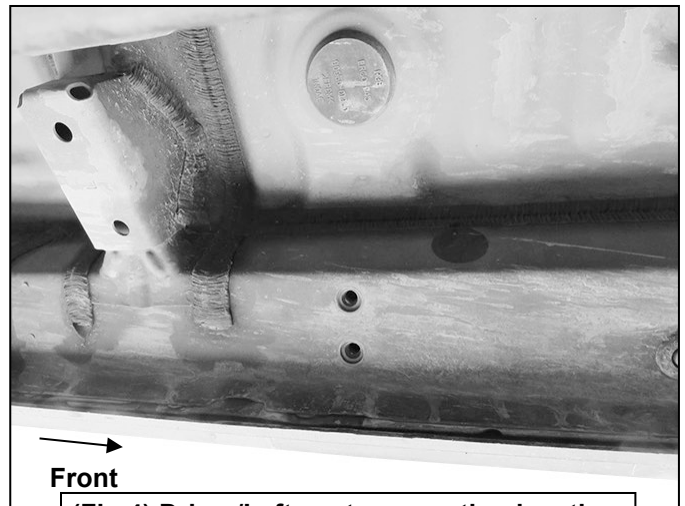
(Fig 1) Driver/Left front mounting location



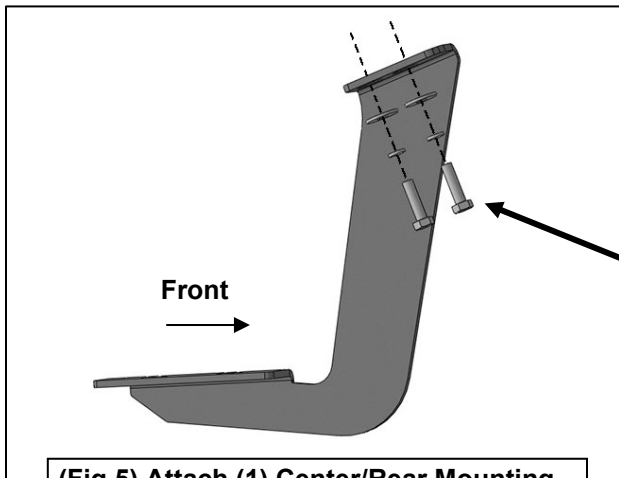
(Fig 2) Attach the Front Mounting Bracket to the front location



(Fig 3) Front Mounting Bracket attached to the front location

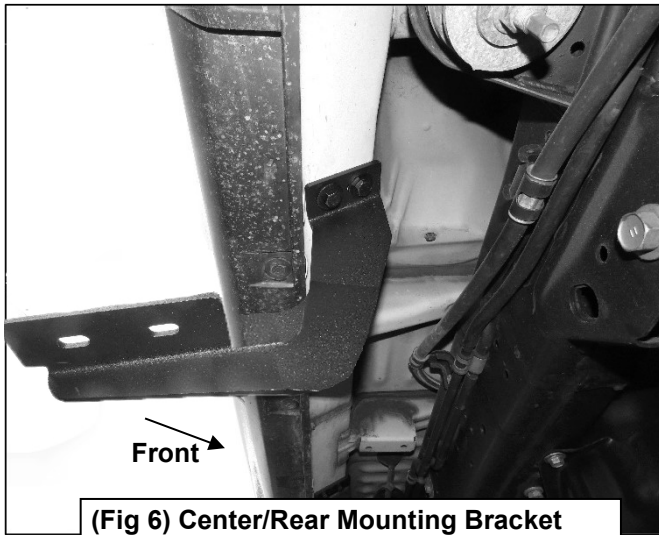


(Fig 4) Driver/Left center mounting location

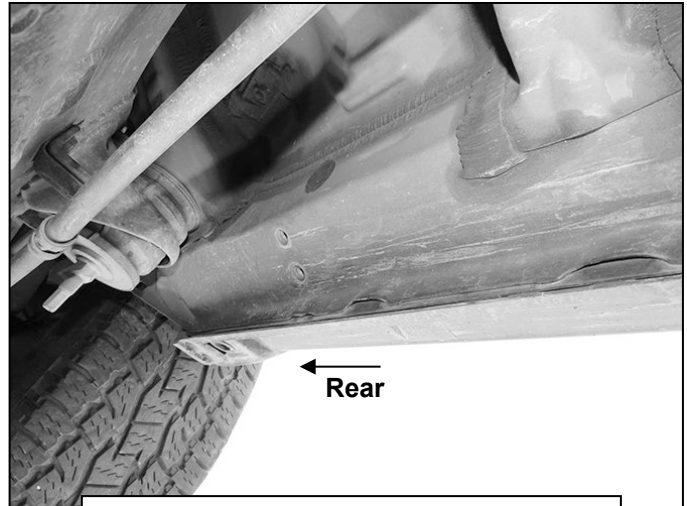


(Fig 5) Attach (1) Center/Rear Mounting Bracket to the center location

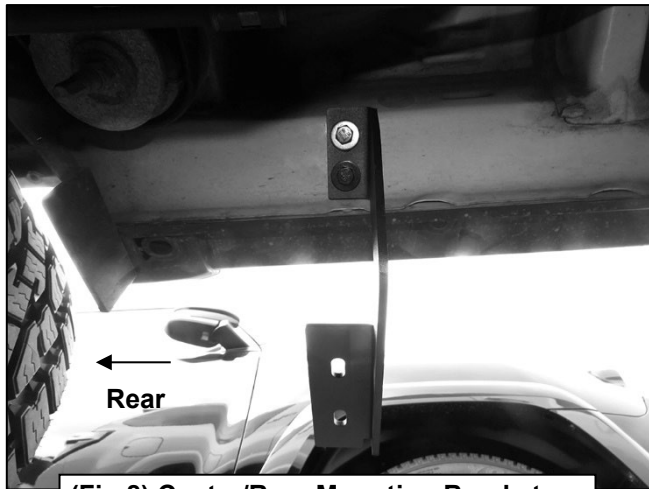
**Driver/Left Side Installation Pictured**



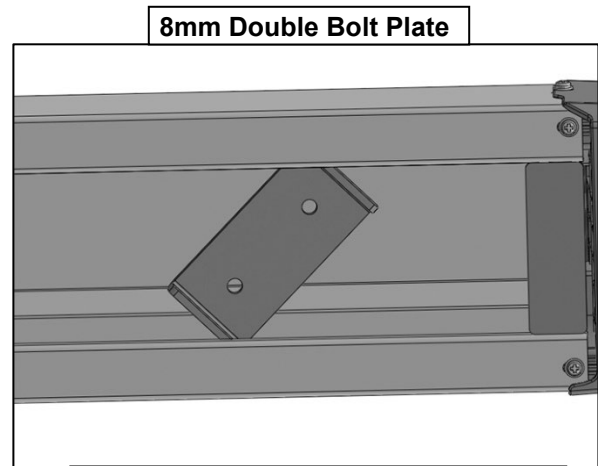
**(Fig 6) Center/Rear Mounting Bracket attached to the center location**



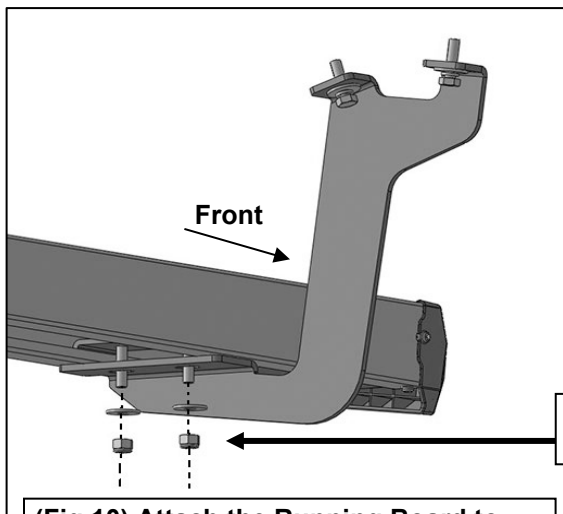
**(Fig 7) Driver/Left rear mounting location**



**(Fig 8) Center/Rear Mounting Bracket attached to the rear location**



**(Fig 9) Insert Bolt Plate in the bottom of the channel on the Running Board**



- (2) 8mm Flat Washers
- (2) 8mm Nylon Lock Nuts

**(Fig 10) Attach the Running Board to the front face of the Mounting Brackets**