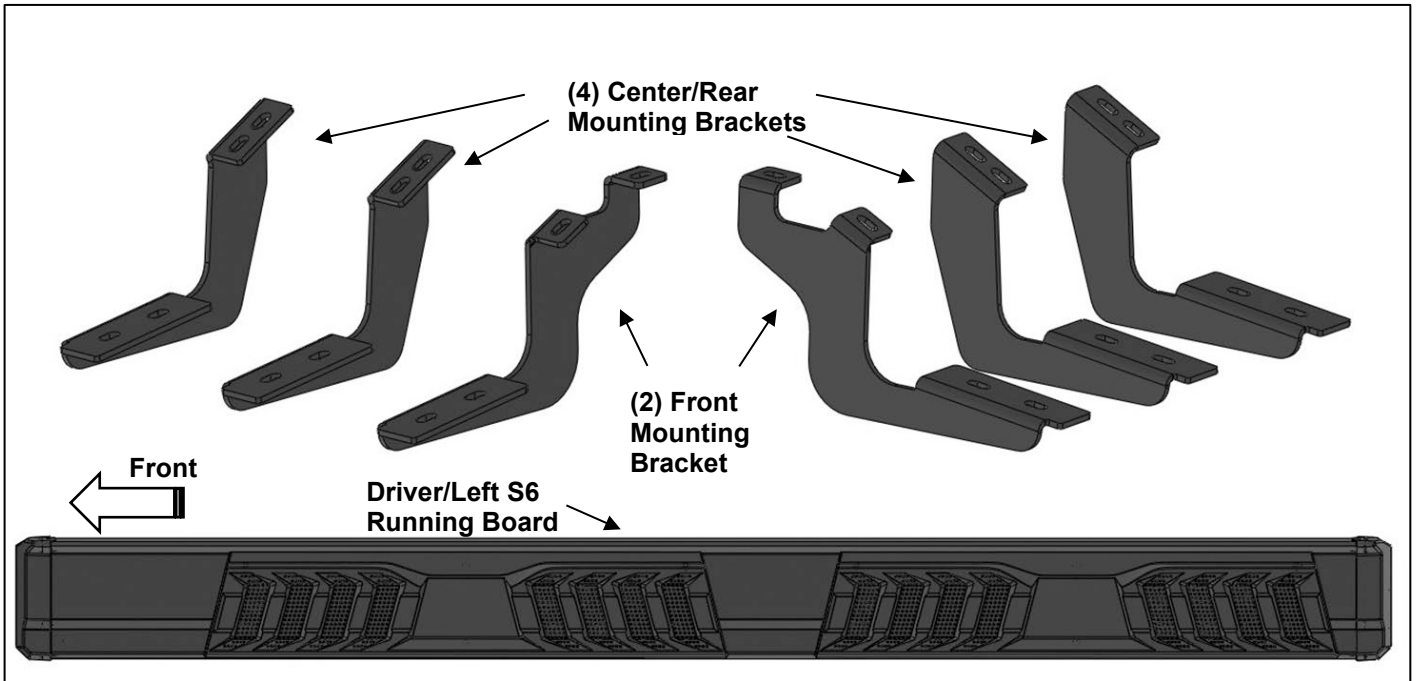


**PARTS LIST:**

1	Driver/Left Side S6 Running Board	6	8mm x 35mm Double Bolt Plates
1	Passenger/Right Side S6 Running Board	12	8mm x 30mm Hex Bolts
2	Front Mounting Bracket	24	8mm x 24mm OD x 2mm Flat Washers
4	Center/Rear Mounting Bracket	12	8mm Lock Washers
		12	8mm Nylon Lock Nuts

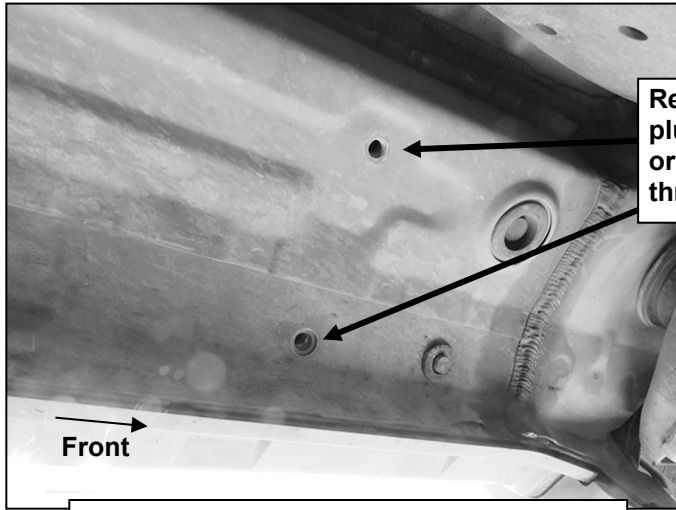


**PROCEDURE:**

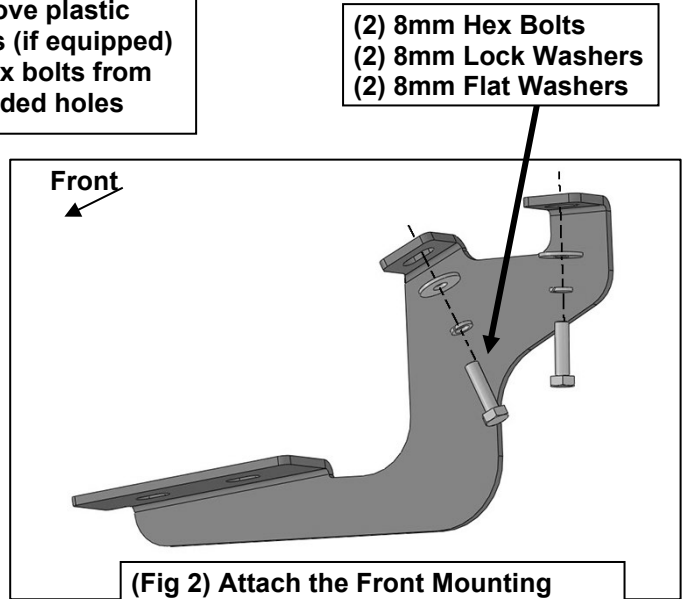
1. REMOVE CONTENTS FROM BOX. VERIFY ALL PARTS ARE PRESENT. READ INSTRUCTIONS CAREFULLY. ASSISTANCE IS HIGHLY RECOMMENDED.
2. Starting on the Driver/Left side of the vehicle, remove the plastic plugs or hex bolts from the factory mounting location along the bottom of the body, (Figures 1, 4 & 7).
3. Select the Front Mounting Bracket. Attach the Mounting Bracket to the front mounting location with (2) 8mm Hex Bolts, (2) 8mm Lock Washers and (2) 8mm Flat Washers, (Figures 1—3). Do not tighten hardware.
4. Select (1) Center/Rear Mounting Bracket. Attach the Mounting Bracket to the center location with (2) 8mm Hex Bolts, (2) 8mm Lock Washers and (2) 8mm Flat Washers, (Figures 4—6). Do not tighten hardware.
5. Repeat **Step 4** to attach (1) Center/Rear Mounting Bracket to the rear location, (Figures 7 & 8). Do not tighten hardware.
6. Select the Driver/Left S6 Running Board. Select (3) Double Bolt Plates. Insert the Bolt Plates into the channel in the bottom of the Running Board closest to the Brackets, (Figure 9). Lift the Running Board up and guide the studs through the Brackets.
7. Attach the Running Board to the Mounting Brackets with (6) 8mm Flat Washers and (6) 8mm Nylon Lock Nuts, (Figure 10). Do not tighten hardware.
8. Level and adjust the Running Board and tighten all hardware.
9. Repeat **Steps 2—8** to attach the Passenger/Right S6 Running Board.
10. Do periodic inspections to the installation to make sure that all hardware is secure and tight.

**To protect your investment,** Do not use any type of polish or wax that may contain abrasives that could damage the finish. Use only mild soap to clean the Running Boards.

### Driver/Left Side Installation Pictured



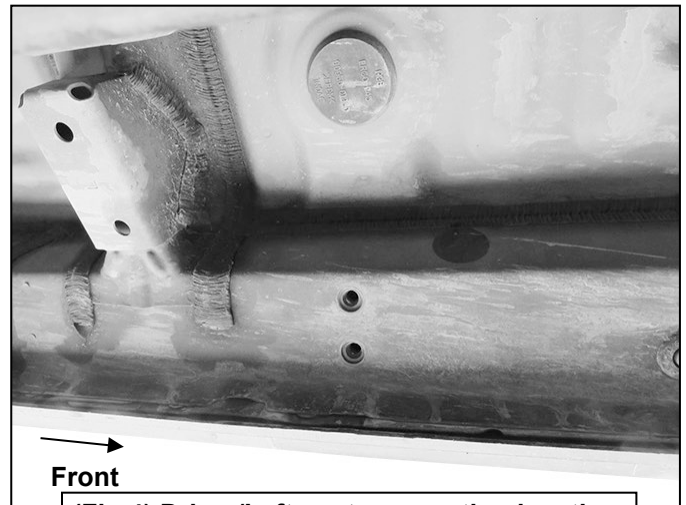
(Fig 1) Driver/Left front mounting location



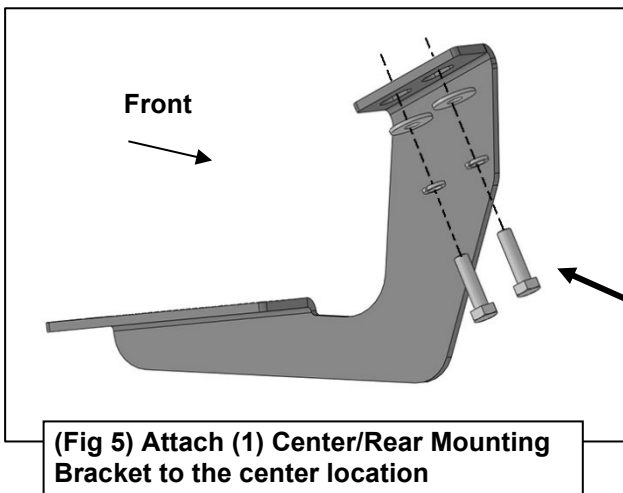
(Fig 2) Attach the Front Mounting Bracket to the front location



(Fig 3) Front Mounting Bracket attached to the front location

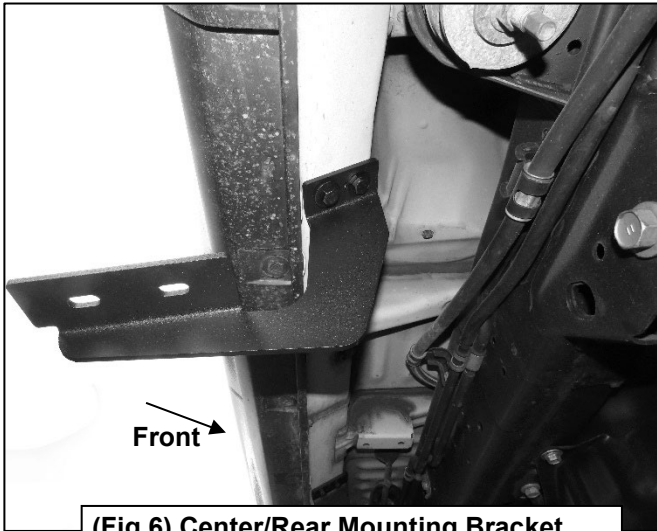


(Fig 4) Driver/Left center mounting location

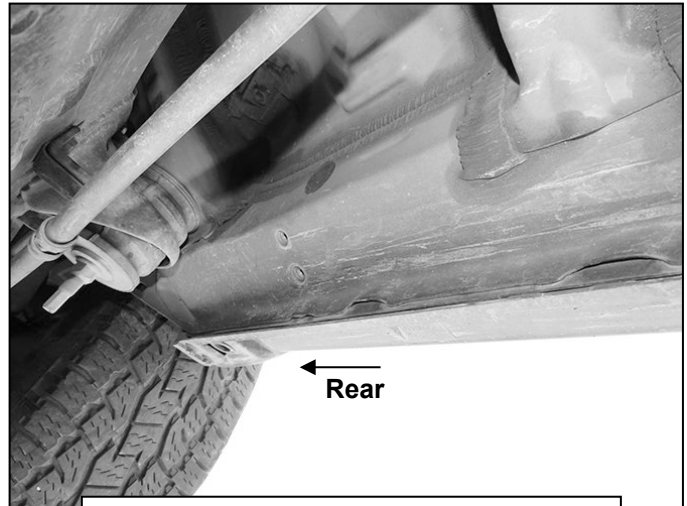


(Fig 5) Attach (1) Center/Rear Mounting Bracket to the center location

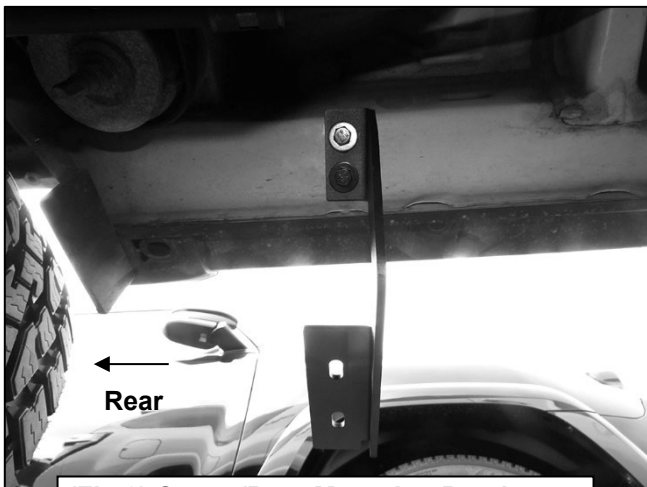
### Driver/Left Side Installation Pictured



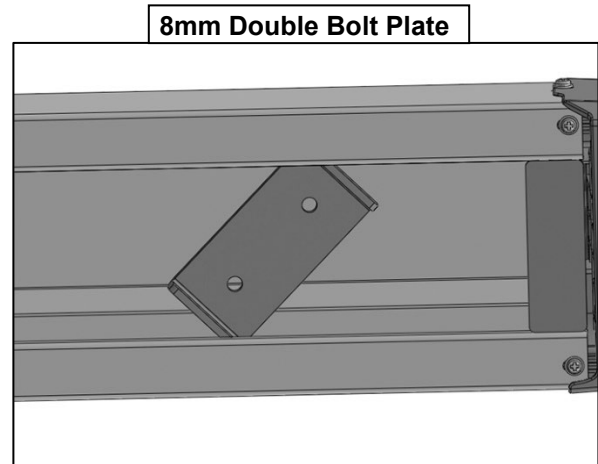
(Fig 6) Center/Rear Mounting Bracket attached to the center location



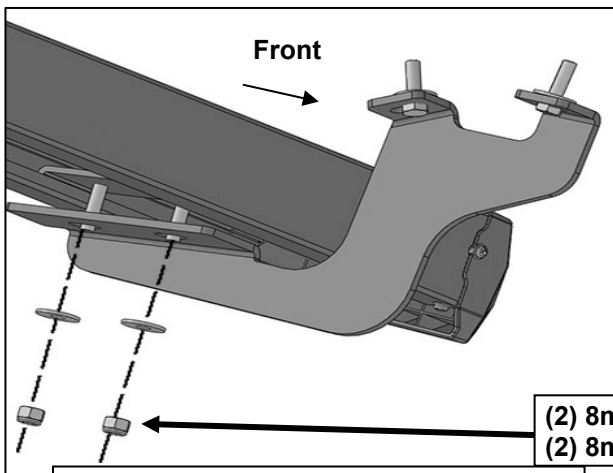
(Fig 7) Driver/Left rear mounting location



(Fig 8) Center/Rear Mounting Bracket attached to the rear location



(Fig 9) Insert Bolt Plate in the bottom of the channel on the Running Board



- (2) 8mm Flat Washers
- (2) 8mm Nylon Lock Nuts

(Fig 10) Attach the Running Board to the front face of the Mounting Brackets

TR14365 - Barricade S6 Running Boards; Stainless Steel  
10-22 TOYOTA 4RUNNER  
(EXCL, 10-13 SR5, 10-22 LIMITED, & 19-22 NIGHTSHADE EDITION)