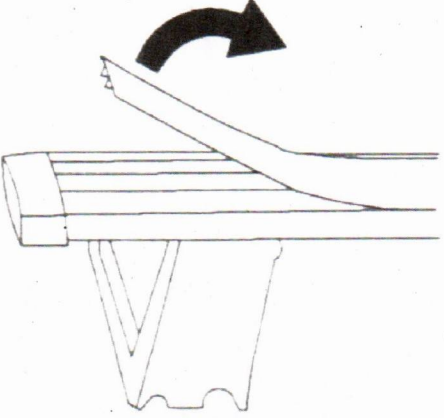


Roof Rack

Installation Instructions

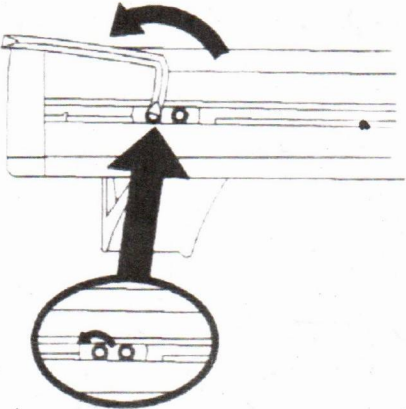
WARNING: This product requires professional installation. **The Company will not be liable for any problem, damage or loss due to improper installation.**

1



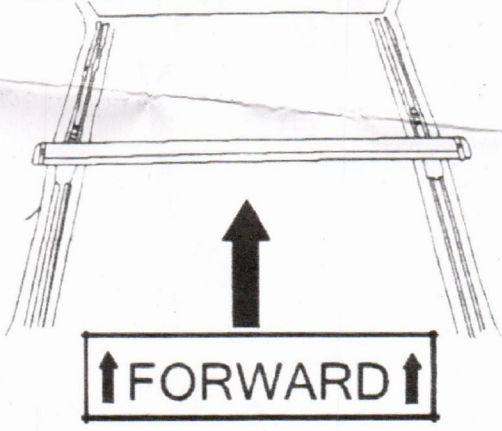
Slightly open the crossbar cover.

2



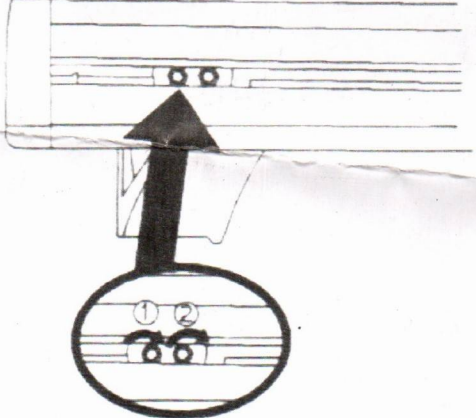
Remove the preassembled screw from the bar.

3



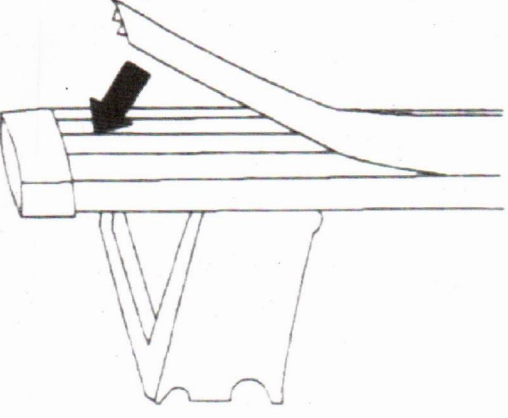
Attach the two crossbars onto the rail.
Note: Front/rear crossbar has "Front"/"Rear" label.

4



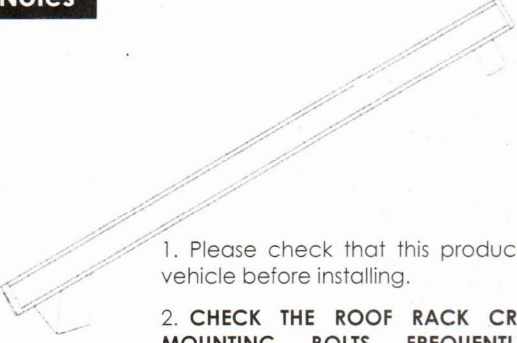
Secure crossbars.

4



Press down the crossbar cover.

Notes



1. Please check that this product fits your vehicle before installing.
2. **CHECK THE ROOF RACK CROSS BAR MOUNTING BOLTS FREQUENTLY, AND RE-TIGHTEN THEM IF NECESSARY.**
3. Distribute the weight of the cargo evenly, and do not exceed the maximum weight capacity of 150 lbs (68 kg).