



HD WIDE STEP RUNNING BOARDS

(2020-2025+ GLADIATOR JT)

INSTALLATION INSTRUCTIONS

CONTENTS

- (1) LH Running Board
- (1) RH Running Board
- (3) LH Step Brackets [DF, DC, DR]
- (3) RH Step Brackets [PF, PC, PR]
- (12) M10 x 24mm OD x 2.2mm Flat Washers
- (6) M10 x 30mm Hex Bolts
- (6) M10 Nylon Lock Nuts
- (6) M8 x 35mm Hex Bolts
- (6) M8 Lock Washers
- (6) M8 x 28mm OD x 3mm Flat Washers
- (12) M8 x 25mm Combo Bolts
- (12) M6 x 1.00 x 25mm Hex Bolts
- (24) M6 Flat Washers
- (12) M6 Lock Nuts

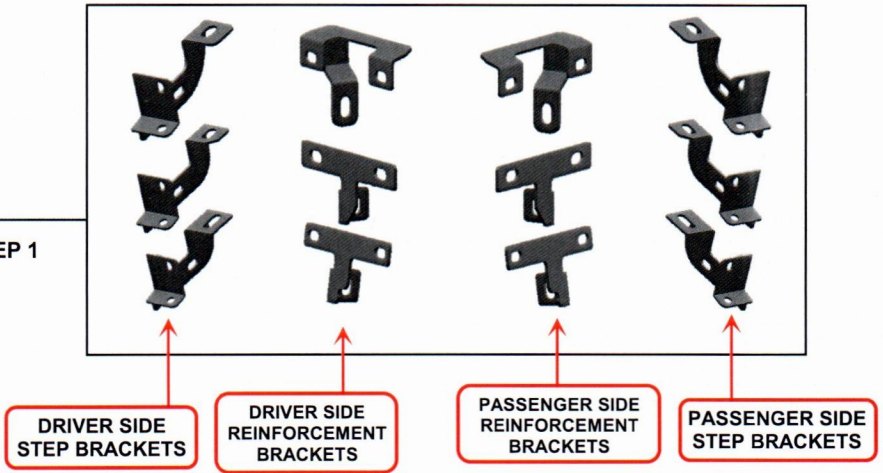
TOOLS REQUIRED

- 10mm, 13mm
- Sockets/Wrenches
- Ratchet

SKU # JG62046
Edited: 11/12/2025

BARRICADE

STEP 1

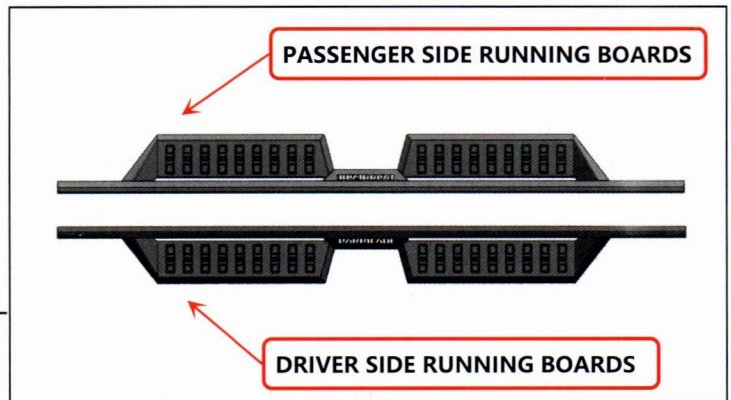


Please identify each mounting bracket using the engraved location identifier. **Notice:** Mounting Brackets look very similar but are unique.

DF: Driver Front
DC: Driver Center
DR: Driver Rear

PF: Passenger Front
PC: Passenger Center
PR: Passenger Rear

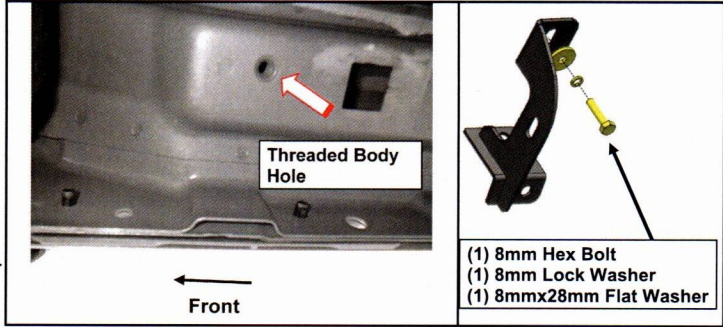
STEP 2



Identify each running board by identifier on the front. **Notice:** "L" for Driver/Left Side; "R" for Passenger/Right Side.

BARRICADE

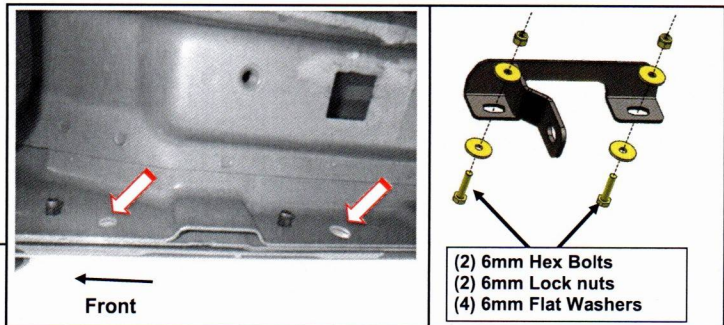
STEP 3



Start installation toward the front of the Passenger/Right side of the vehicle

Loosely fit the (1) step bracket to the vehicle threaded body hole using (1) M8x35mm bolt, (1) M8 lock washer, and (1) M8 x 28mm flat washer [large OD]. Do not fully tighten to allow for later adjustments. Repeat this step for all step brackets.

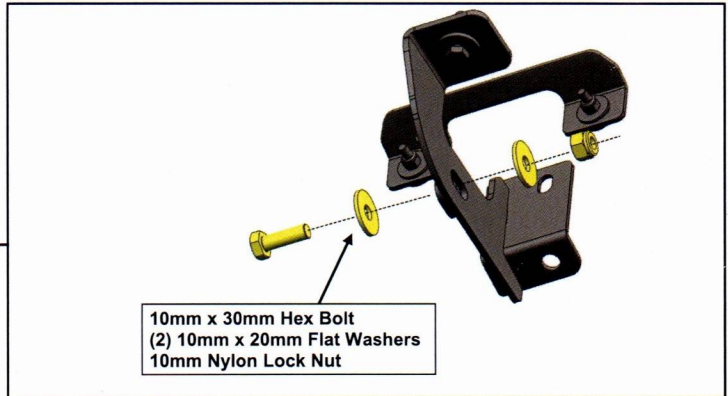
STEP 4



Loosely fit the Passenger Front reinforcement bracket to the **inside of the vehicle pinch weld** using (2) M6 x 25mm hex bolts, (4) M6 flat washers, and (2) M6 lock nuts. Do not fully tighten to allow for later adjustments. Repeat this step for all Passenger reinforcement brackets.

BARRICADE

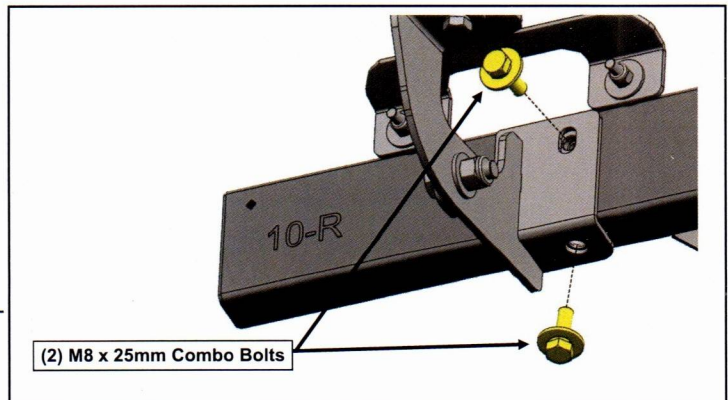
STEP 5



Loosely connect the (1) Passenger step bracket to the (1) Passenger reinforcement bracket using (1) M10 × 30mm hex bolt, (2) M10 × 20mm flat washers, and (1) M10 lock nut.

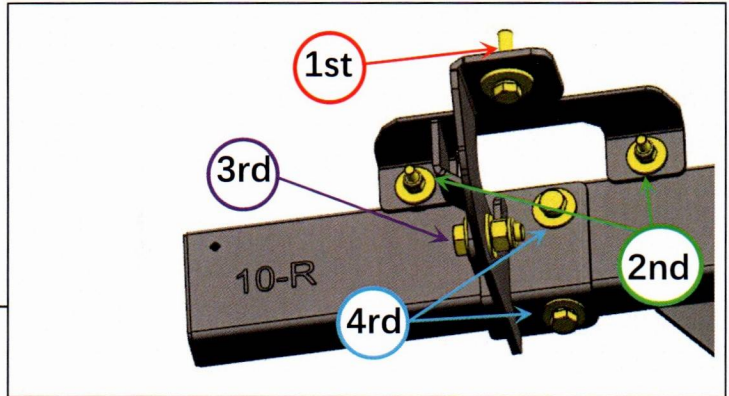
Repeat this step for all step brackets.

STEP 6



With all brackets loosely mounted to the vehicle, fit the running board onto the front bracket, and loosely secure into place using (2) M8 x 25mm combo bolts. Repeat the step for other (2) PS step brackets.

BARRICADE



STEP 7

Tighten the mounting brackets to the vehicle. Adjust the running board to the desired angle, and tighten the bolts to secure the step into place. See photo for tightening order visual.

Repeat steps 1-7 for the remaining running board.

Installation is now complete.