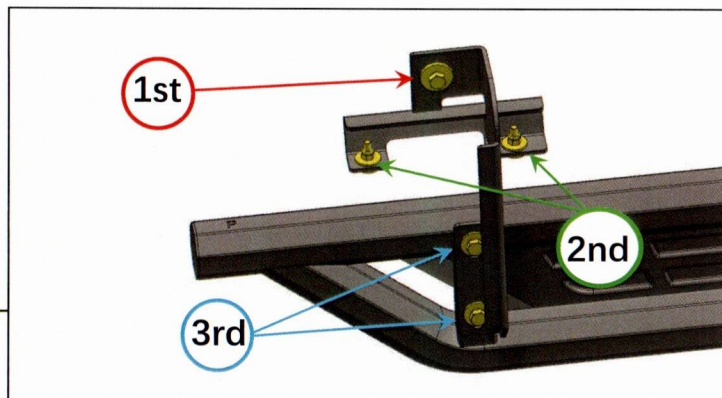
**STEP 5**

With all brackets loosely mounted to the vehicle, fit the running board onto the front bracket, and loosely secure into place using (2) M8 x 25mm combo bolts. Repeat the step for other (2) PS step brackets.

**STEP 6**

Tighten the mounting brackets to the vehicle. Adjust the running board to the desired angle, and tighten the bolts to secure the step into place. See photo for tightening order visual.

Repeat steps 1-6 for the remaining running board.

Installation is now complete.

TC5 RUNNING BOARDS

(2020-2025+ GLADIATOR JT)

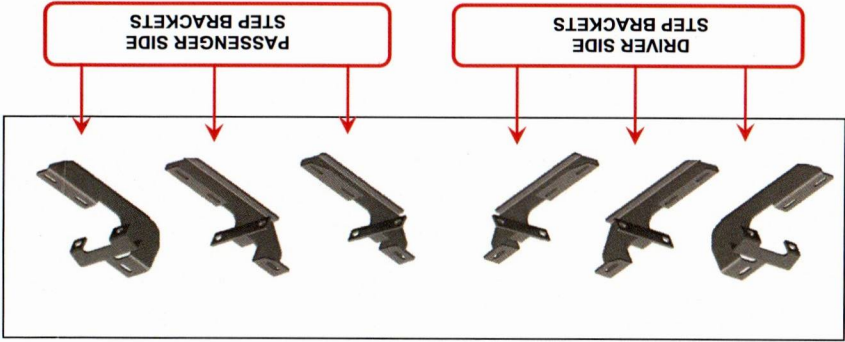
INSTALLATION INSTRUCTIONS**CONTENTS**

- (1) LH Running Board
- (1) RH Running Board
- (3) LH Step Brackets [DF, DC, DR]
- (3) RH Step Brackets [PF, PC, PR]
- (6) M8 x 35mm Hex Bolts
- (6) M8 Lock Washers
- (6) M8 x 28mm OD x 3mm Flat Washers
- (12) M8 x 25mm Combo Bolts
- (12) M6 x 1.00 x 25mm Hex Bolts
- (24) M6 Flat Washers
- (12) M6 Lock Nuts

TOOLS REQUIRED

- 10mm, 13mm
- Sockets/Wrenches
- Ratchet

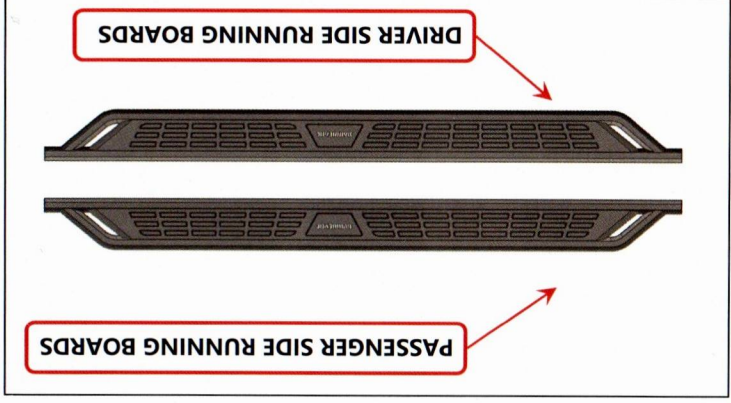
STEP 1



Please identify each mounting bracket using the engraved location identifier. **Notice: Mounting Brackets look very similar but are unique.**

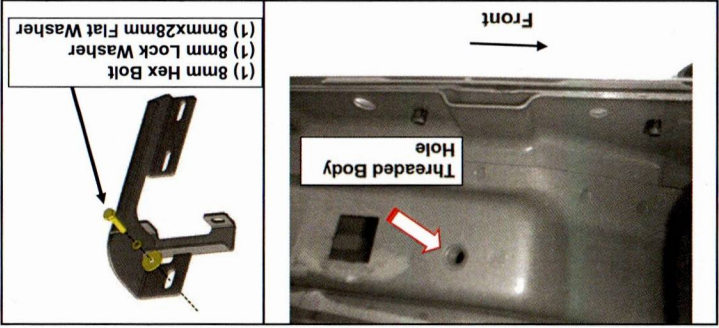
- DF: Driver Front
- DC: Driver Center
- DR: Driver Rear
- PF: Passenger Front
- PC: Passenger Center
- PR: Passenger Rear

STEP 2



Identify each running board by identifier on the front. **Notice: "D" for Driver/Left Side; "P" for Passenger/Right Side.**

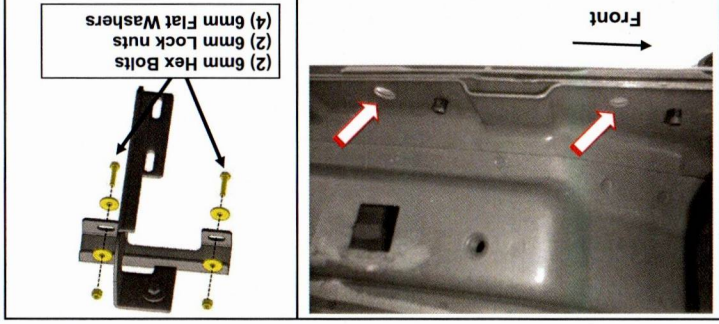
STEP 3



Start installation toward the front of the Passenger/Right side of the vehicle

Loosely fit the (1) step bracket to the vehicle threaded body hole using (1) M8x35mm bolt, (1) M8 lock washer, and (1) M8 x 28mm flat washer [large OD]. Do not fully tighten to allow for later adjustments. Repeat this step for all step brackets.

STEP 4



Loosely fit the Passenger Front reinforcement bracket to the **inside of the vehicle pinch weld** using (2) M6 x 25mm hex bolts, (4) M6 flat washers, (2) M6 lock nuts, and (2) M6 reinforcement brackets. Repeat this step for all Passenger reinforcement brackets. Do not fully tighten to allow for later adjustments. Repeat this step for all Passenger reinforcement brackets.