



# EZ HARD FOLD TONNEAU COVER

(2020-2023+ JEEP GLADIATOR JT)

---

## INSTALLATION INSTRUCTIONS

### CONTENTS

---

- (1) Tonneau Cover Assembly
- (2) Cotter Pins
- (4) Trail Rail Brackets

### TOOLS REQUIRED

---

N/A



## STEP 1

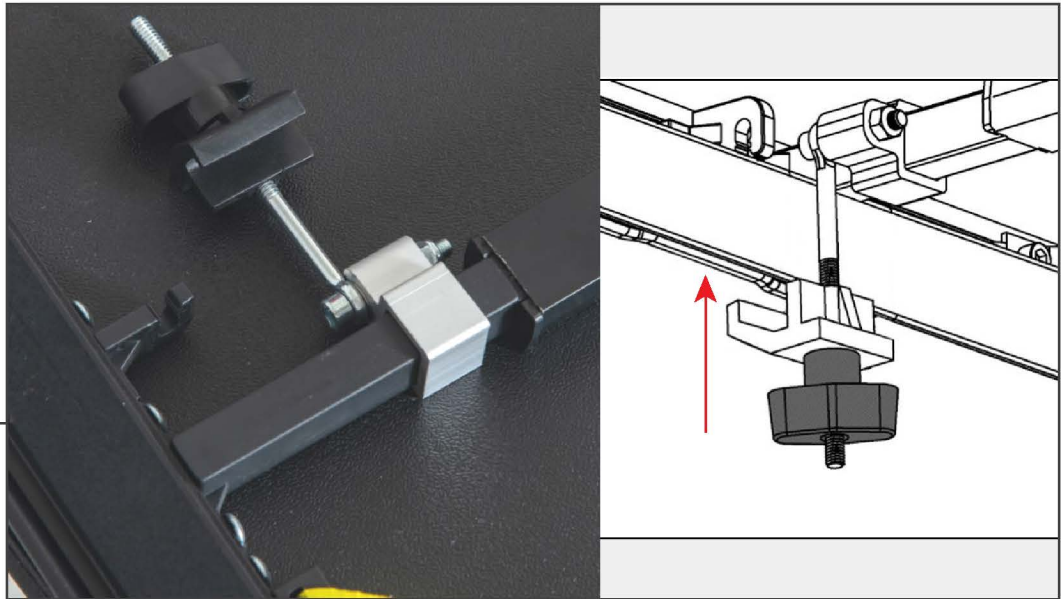
Place the tonneau cover onto the vehicle bed closest to the cab. Ensure the panel retaining strap clips are closest to the cab.



## STEP 2

Fold the tonneau cover outwards towards the rear of the vehicle. Adjust the tonneau cover forward/backwards and left/right until proper adjustment is achieved.

## STEP 3



Once aligned, carefully fold the tonneau cover up towards the cab of the vehicle to access the (2) front pre-installed folding clamps. Slide the clamp rod to the appropriate distance, then fit the hook under the metal bed side. Thread the thumb screw upwards to tighten the tonneau cover to the front of the vehicle bed. **\*\*See Step 5 for Trail Rail System mounting.**

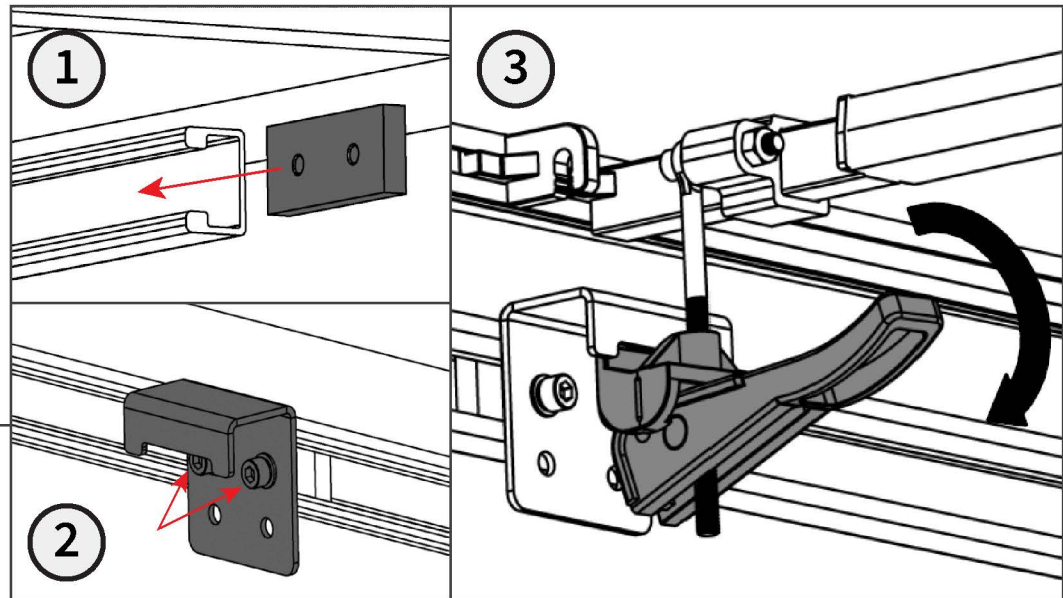
Note: If the vehicle has a plastic bed liner/bed rail caps, trimming may be necessary for the clamp to attach to the metal portion of the bed rail.

## STEP 4



Unfold the tonneau cover towards the rear of the vehicle. Slide the clamp rod to the appropriate distance, then fit the hook under the metal bed side. Tighten the clamp upwards to hook the clamp around the bed side. Once secure, fold the clamp handle 90 degrees to add tension to secure the cover. Secure the clamp into place using (1) cotter pin.

Note: If the vehicle has a plastic bed liner/bed rail caps, trimming may be necessary for the clamp to attach to the metal portion of the bed rail.



## STEP 5 (TRAIL RAIL)

**Trail Rail System:** Slide the (2) bolt plate block portions of the bed track clamps into the Trail Rail system. Once spaced evenly, use (2) Allen bolts per block plate and secure the mounting bracket.

The tonneau cover folding clamps will secure to the mounting brackets instead of the vehicle bed. The safety strap must be secured to the vehicle bed side.



## STEP 6

To store, undo the (2) rear clamps, and fold the tonneau cover towards the vehicle cab. Insert the rear clamps into the under side of the cover. Secure the tonneau cover to the attached straps and buckles.





---

## STEP 7

Ensure all mounting points are secure.

Installation is now complete.