

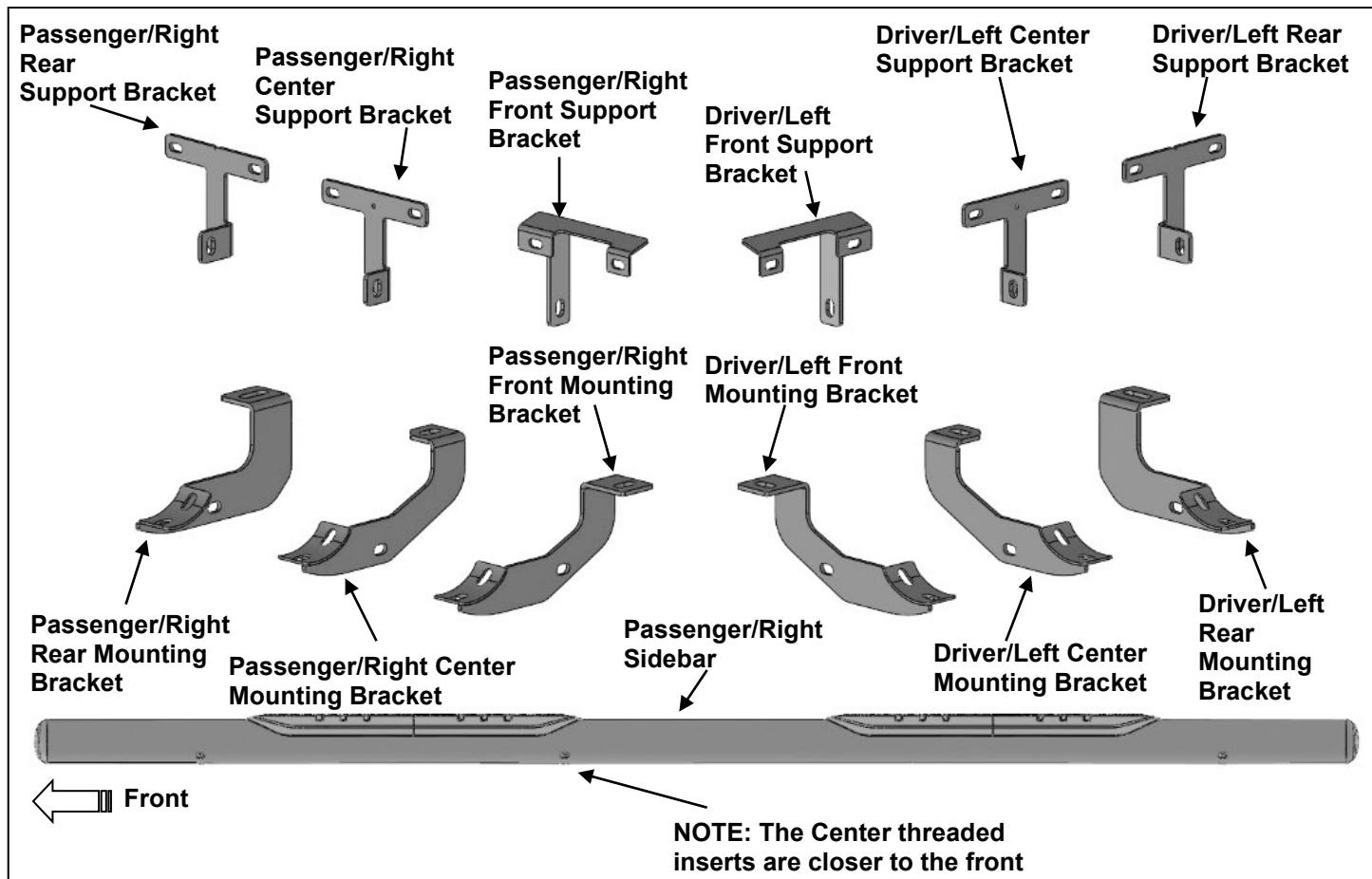


REDROCK

UPGRADED 4INCH OVAL SIDEBAR
2020-26 JEEP GLADIATOR

Parts List: JG2221 JG2222

1	Driver/Left Sidebar	1	Driver/Left Rear Support Bracket
1	Passenger/Right Sidebar	1	Passenger/Right Rear Support Bracket
1	Driver/Left Front Mounting Bracket	6	10-1.5mm x 30mm Hex Bolts
1	Passenger/Right Front Mounting Bracket	12	10mm x 24mm x 2.2mm Flat Washers
1	Driver/Left Center Mounting Bracket	6	10-1.5mm Nylon Lock Nuts
1	Passenger/Right Center Mounting Bracket	12	8-1.25mm Combo Bolts
1	Driver/Left Rear Mounting Bracket	6	8-1.25mm x 35mm Hex Bolts
1	Passenger/Right Rear Mounting Bracket	6	8mm Lock Washers
1	Driver/Left Front Support Bracket	6	8mm x 28mm x 3mm Flat Washers
1	Passenger/Right Front Support Bracket	12	6-1.0mm x 25mm Hex Bolts
1	Driver/Left Center Support Bracket	24	6mm x 22mm x 2mm Flat Washers
1	Passenger/Right Center Support Bracket	12	6-1.0mm Nylon Lock Nuts



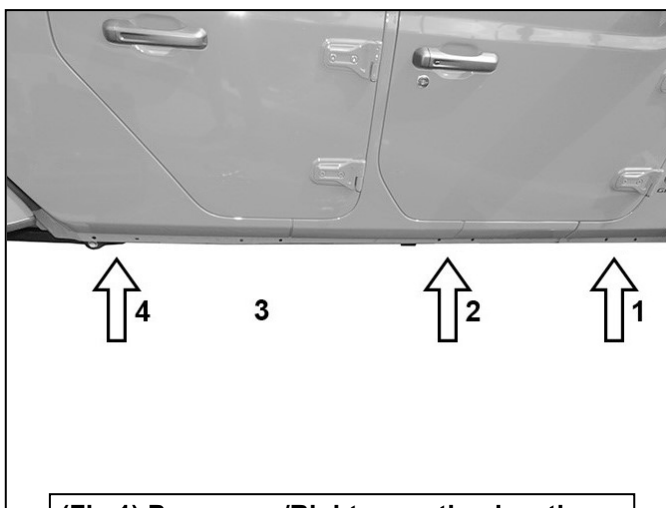
PROCEDURE:

1. REMOVE CONTENTS FROM BOX. VERIFY ALL PARTS ARE PRESENT. READ INSTRUCTIONS CAREFULLY BEFORE STARTING INSTALLATION. SIDE STEPS OR RUNNING BOARDS MUST BE REMOVED BEFORE INSTALLATION.

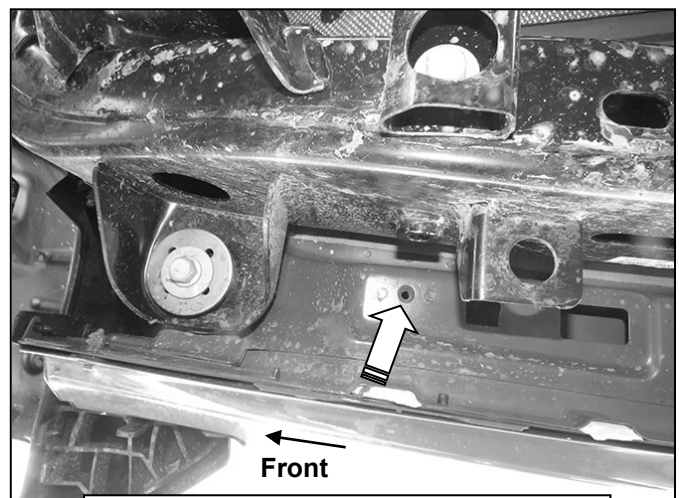
2. Start installation on the Passenger/Right front of the vehicle. Find the front threaded insert located in between the first pair of holes along the pinch weld, **(Figure 2)**. Installation will use the 1st, 2nd and 4th mounting locations, **(Figure 1)**.
3. Select the Passenger/Right Front Mounting Bracket, **(Figure 3)**. **IMPORTANT:** Use the illustration above and **Figure 3** to properly identify the Mounting Bracket. Attach the Mounting Bracket to the threaded insert using (1) 8mm x 35mm Hex Bolt, (1) 8mm Lock Washer and (1) 8mm Flat Washer, **(Figures 4 & 5)**. Do not tighten hardware.
4. Select the Passenger/Right Front Support Bracket. **IMPORTANT:** Use the illustration above to help identify the correct Support Bracket. Attach the Support Bracket to the pinch weld using (2) 6mm Hex Bolts, (4) 6 mm Flat Washers and (2) 6mm Nylon Lock Nuts, **(Figure 6)**. **NOTE: Insert bolts from the outside of the pinch weld and through the Bracket.** Attach the Support Bracket to the Mounting Bracket with (1) 10mm Hex Bolt, (2) 10mm Flat Washers and (1) 10mm Nylon Lock Nut, **(Figures 7 & 8)**. Do not tighten hardware.
5. Move to the 2nd mounting location and locate the threaded insert and pair of holes in the pinch weld, **(Figure 9)**. Repeat **Steps 3 & 4** to install the Passenger/Right Center Mounting and Support Brackets, **(Figures 3, 10—12)**. **NOTE:** The Center and Rear Mounting Brackets look similar but each one is unique. The Center Support Bracket has a hole in the top and a notch on the bottom. The Rear Support Bracket has a notch at the top, **(Figure 11)**. Do not tighten hardware.
6. Move to the last mounting location on the rocker panel and locate the threaded insert and pair of holes in the pinch weld, **(Figure 13)**. Repeat **Steps 3 & 4** to install the Passenger/Right Rear Mounting and Support Brackets, **(Figures 3, 11 & 14)**. Do not tighten hardware.
7. Select the Passenger/Right Sidebar. Use the illustration above to select the correct Sidebar. Carefully position the Sidebar onto the (3) Mounting Brackets. **IMPORTANT:** Do not slide, (front to back or rotate), the Sidebar on the Brackets or damage to the finish on the Sidebar may result. Attach the Sidebar to the Mounting Brackets with (6) 8mm x 25mm Combo Bolts, **(Figures 15—18)**. Do not tighten hardware.
8. Level and adjust the Sidebar and tighten all hardware.
9. Repeat **Steps 2—8** for Driver/Left Sidebar installation.
10. Do periodic inspections to the installation to make sure that all hardware is secure and tight.

To protect your investment, Do not use any type of polish or wax that may contain abrasives that could damage the finish. Mild soap may be used to clean Sidebar.

Passenger/Right Side Installation Pictured



(Fig 1) Passenger/Right mounting locations



(Fig 2) Passenger/Right front mounting location with threaded insert

Passenger/Right Side Installation Pictured

Passenger/Right
Rear Mounting
Bracket has a tab
that faces backward

Passenger/Right
Center Mounting
Bracket has a tab
that faces backward
and a notch

Passenger/Right
Front Mounting
Bracket has a tab
that faces forward

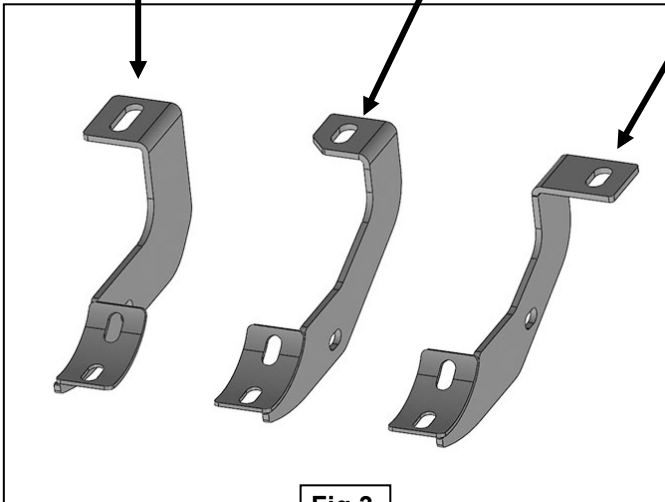
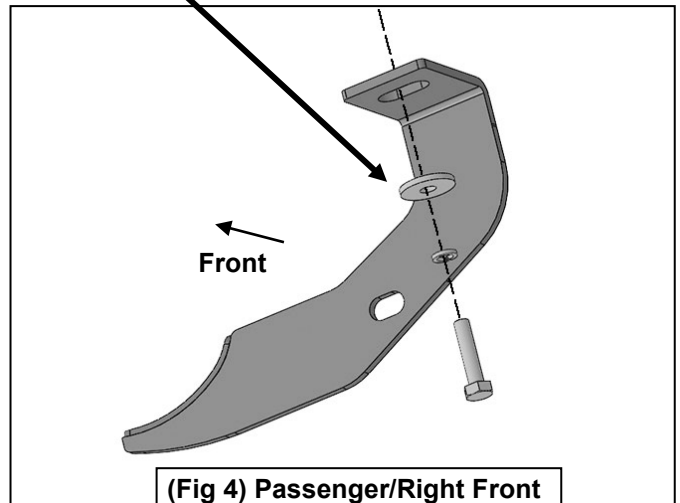
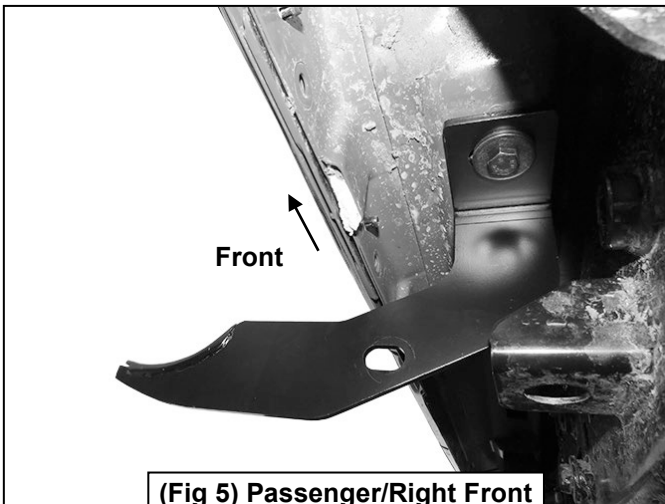


Fig 3

- (1) 8mm x 35mm Hex Bolt
- (1) 8mm Lock Washer
- (1) 8mm Flat Washer

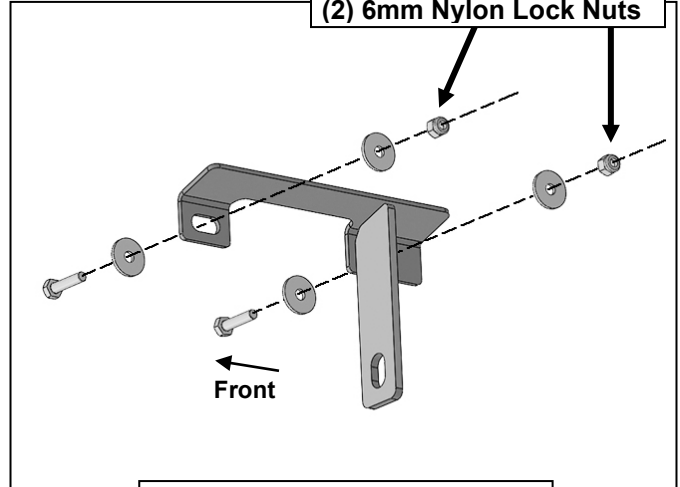


(Fig 4) Passenger/Right Front Mounting Bracket installation



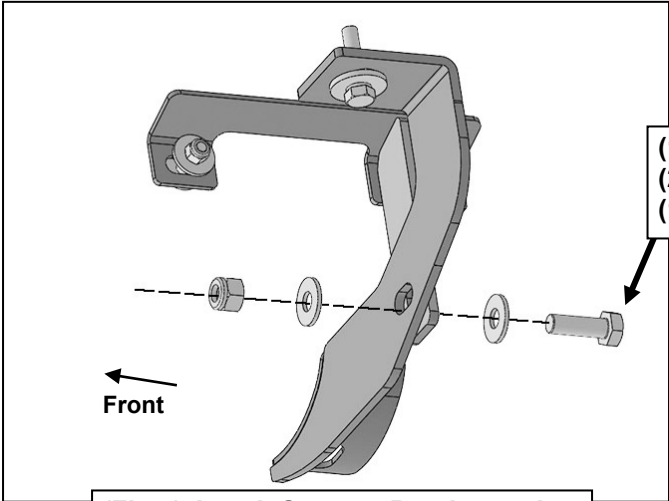
(Fig 5) Passenger/Right Front Mounting Bracket attached

- (2) 6mm Hex Bolts
- (4) 6mm Flat Washers
- (2) 6mm Nylon Lock Nuts



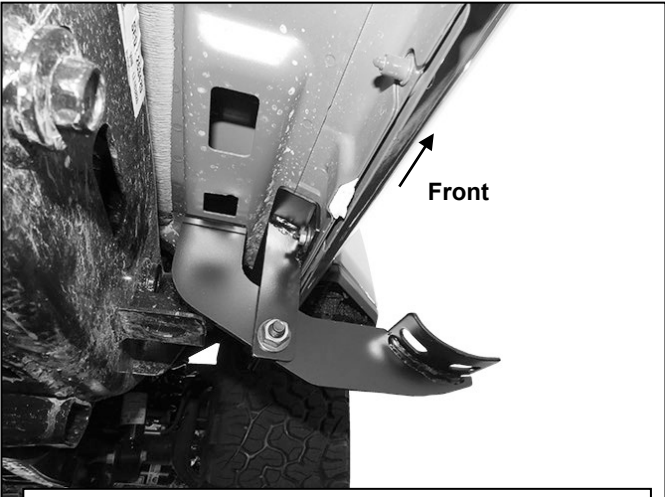
(Fig 6) Attach Support Bracket to back of pinch weld

Passenger/Right Side Installation Pictured

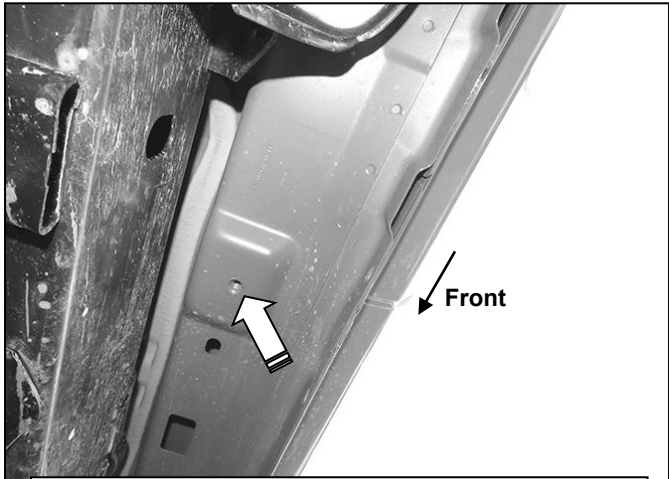


- (1) 10mm Hex Bolt
- (2) 10mm Flat Washers
- (1) 10mm Nylon Lock Nut

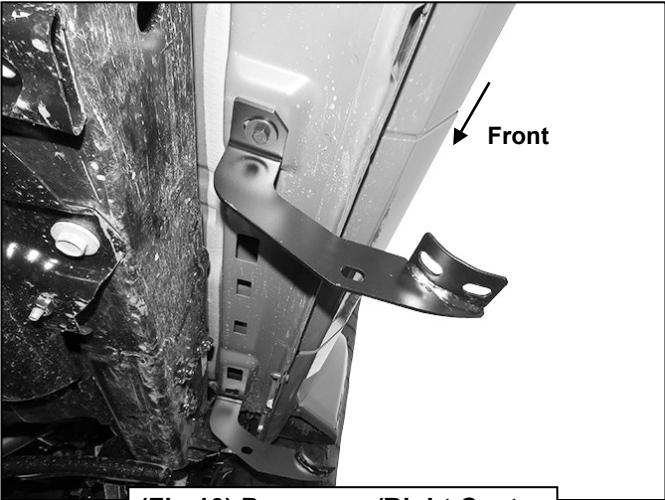
(Fig 7) Attach Support Bracket to the rear face of the mounting bracket



(Fig 8) Passenger/Right Front Mounting Bracket and Support Bracket attached to front location



(Fig 9) Passenger/Right 2nd mounting location



(Fig 10) Passenger/Right Center Mounting Bracket attached

Passenger/Right Side Installation Pictured

The Rear Support Bracket has a notch in the top.

The Center Support Bracket has a hole in the top. It also has a notch at the bottom

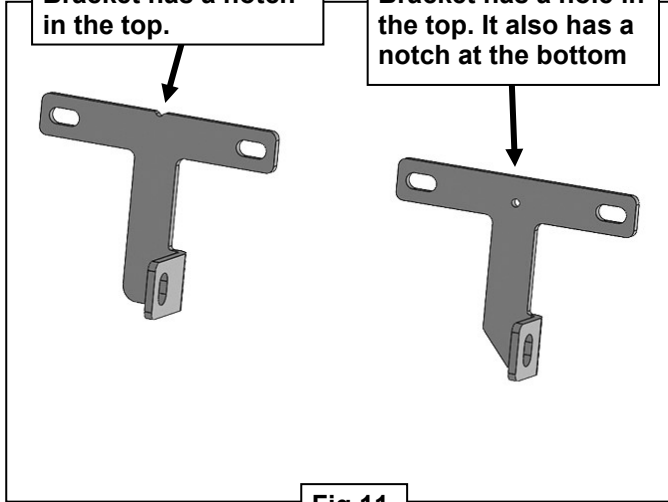
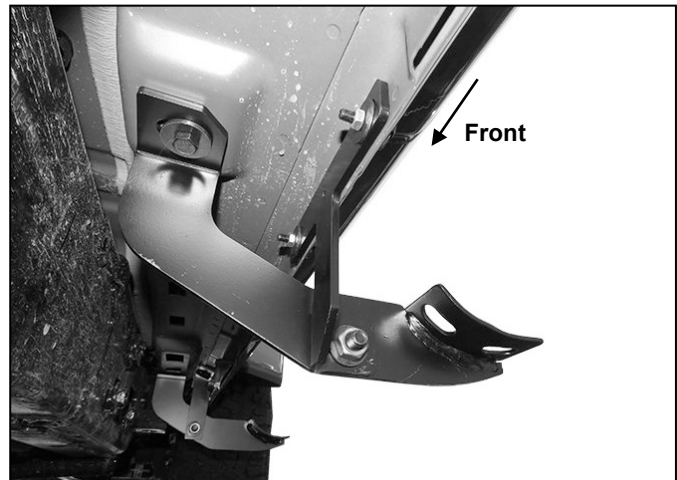
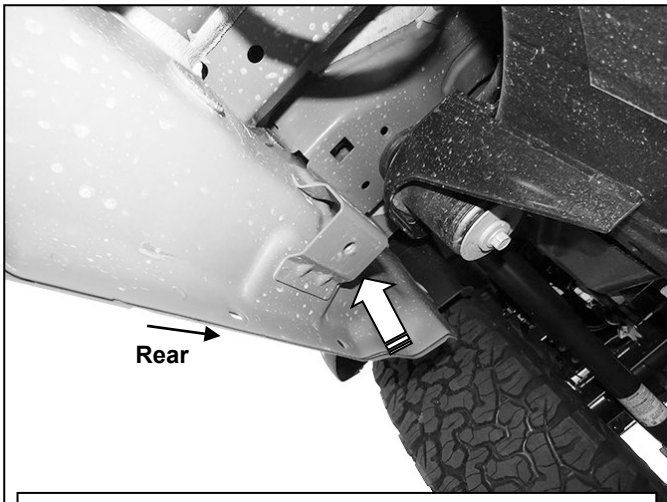


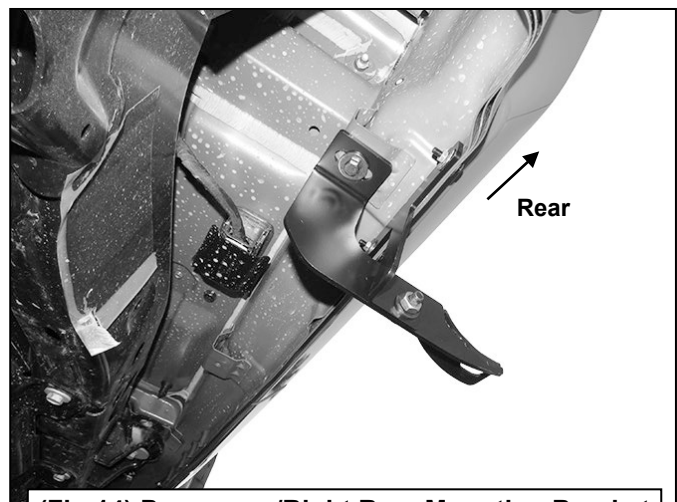
Fig 11



(Fig 12) Passenger/Right Center Mounting Bracket and Support Bracket attached to 2nd location

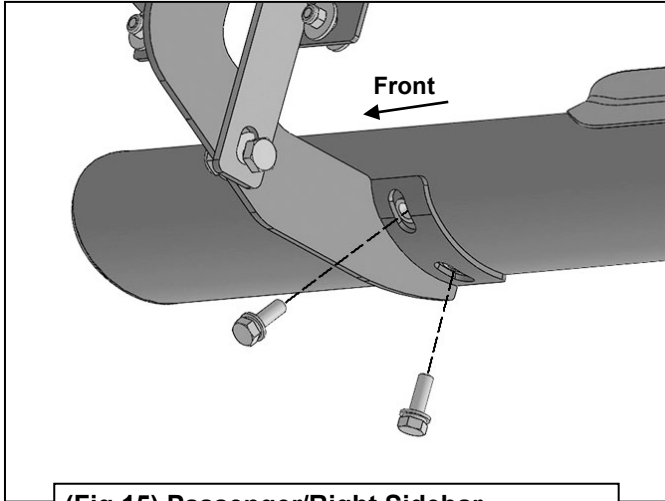


(Fig 13) Passenger/Right rear mounting location

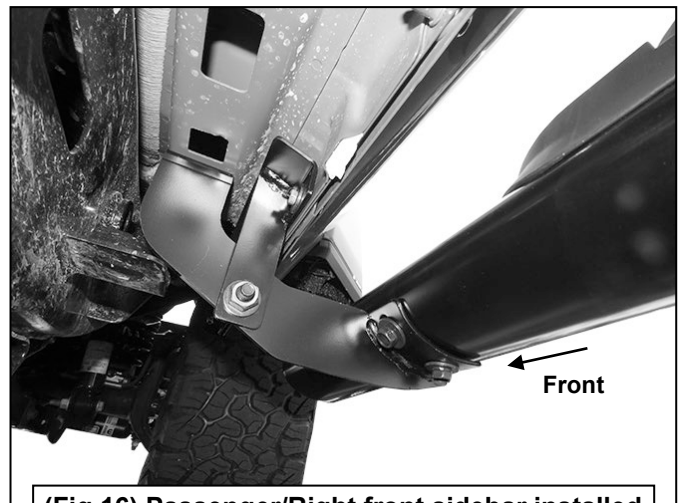


(Fig 14) Passenger/Right Rear Mounting Bracket and Support Bracket attached to rear location

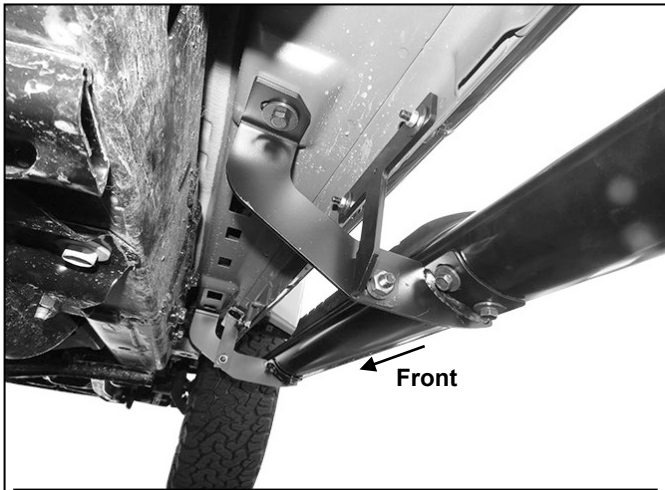
Passenger/Right Side Installation Pictured



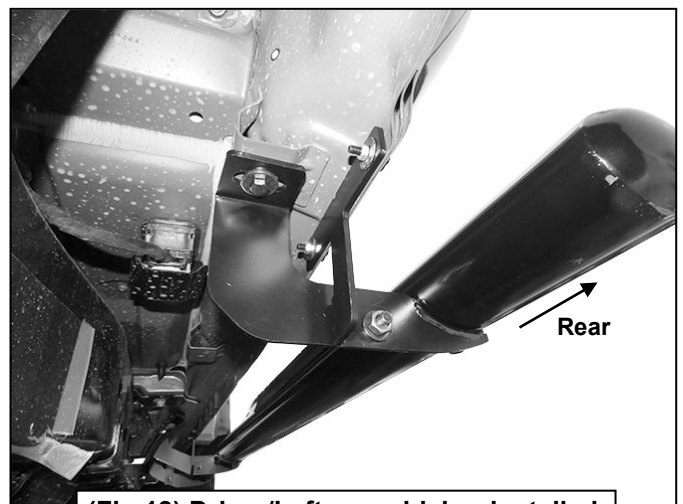
(Fig 15) Passenger/Right Sidebar installation (Passenger/Right front shown)



(Fig 16) Passenger/Right front sidebar installed



(Fig 17) Passenger/Right center sidebar installed



(Fig 18) Driver/Left rear sidebar installed