

# **BARRICADE**

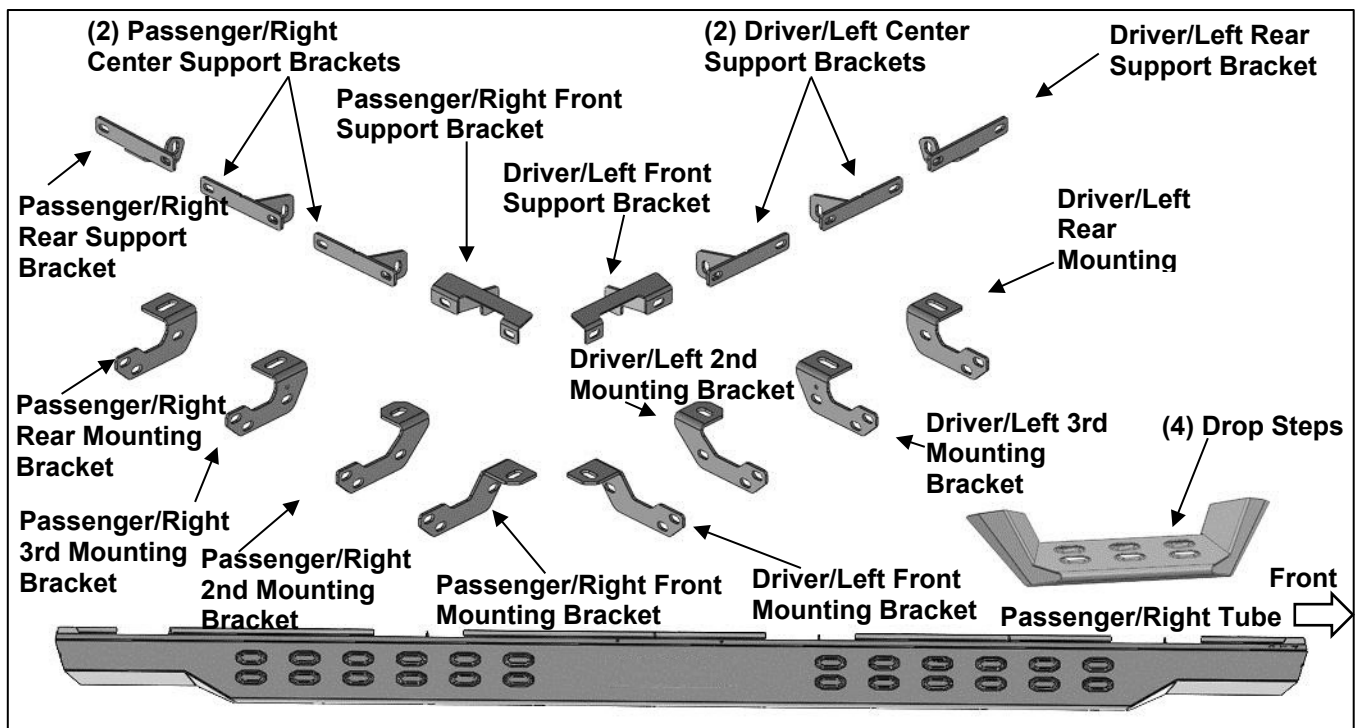
**INSTALLATION INSTRUCTIONS  
HD OVERLAND DROP SIDE STEP BARS**

**2020-2023 GLADIATOR JT**

**SKU # JG20785**

## Parts List

1	Driver/Left Tube	1	Driver/Left Rear Support Bracket
1	Passenger/Right Tube	1	Passenger/Right Rear Support Bracket
4	Drop Steps	24	10mm x 30mm Hex Bolts
1	Driver/Left Front Mounting Bracket	48	10mm x 20mm OD x 2mm Flat Washers
1	Passenger/Right Front Mounting Bracket	24	10mm Nylon Lock Nuts
1	Driver/Left 2nd Mounting Bracket	8	8mm Triangle Double Bolt Plates
1	Passenger/Right 2nd Mounting Bracket	8	8mm x 35mm Hex Bolts
1	Driver/Left 3rd Mounting Bracket	8	8mm Lock Washers
1	Passenger/Right 3rd Mounting Bracket	8	8mm x 28mm OD x 3mm Flat Washers
1	Driver/Left Rear Mounting Bracket	16	8mm x 22mm OD x 2mm Flat Washers
1	Passenger/Right Rear Mounting Bracket	16	8mm Nylon Lock Nuts
1	Driver/Left Front Support Bracket	8	6mm Double Bolts Plates
1	Passenger/Right Front Support Bracket	16	6mm x 22mm OD x 2mm Flat Washers
2	Driver/Left Center Support Brackets	16	6mm Nylon Lock Nuts
2	Passenger/Right Center Support Brackets		



### PROCEDURE:

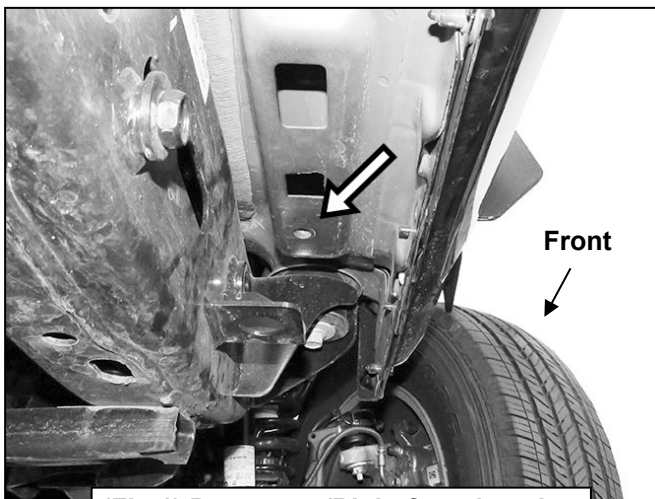
**REMOVE CONTENTS FROM BOX. VERIFY ALL PARTS ARE PRESENT. READ INSTRUCTIONS CAREFULLY BEFORE STARTING INSTALLATION. FACTORY INSTALLED OR AFTERMARKET SIDE STEPS OR RUNNING BOARDS MUST BE REMOVED.**

1. Start installation toward the front of the Passenger/Right side of the vehicle. Locate the factory threaded mounting hole in the bottom of the floor, **(Figure 1)**.
2. Select the Passenger/Right Front Mounting Bracket, **(Figure 2)**. **IMPORTANT:** Mounting Brackets look very similar but are unique. The Center Mounting Bracket has an angled edge on the top. The Rear Mounting Bracket has a notch in the bottom.
3. Attach Passenger/Right Front Mounting Bracket to the threaded hole in the of the floor panel with (1) 8mm Hex Bolt, (1) 8mm Lock Washer and (1) 8mm x 28mm Flat Washer, **(Figure 2)**. Do not tighten hardware.

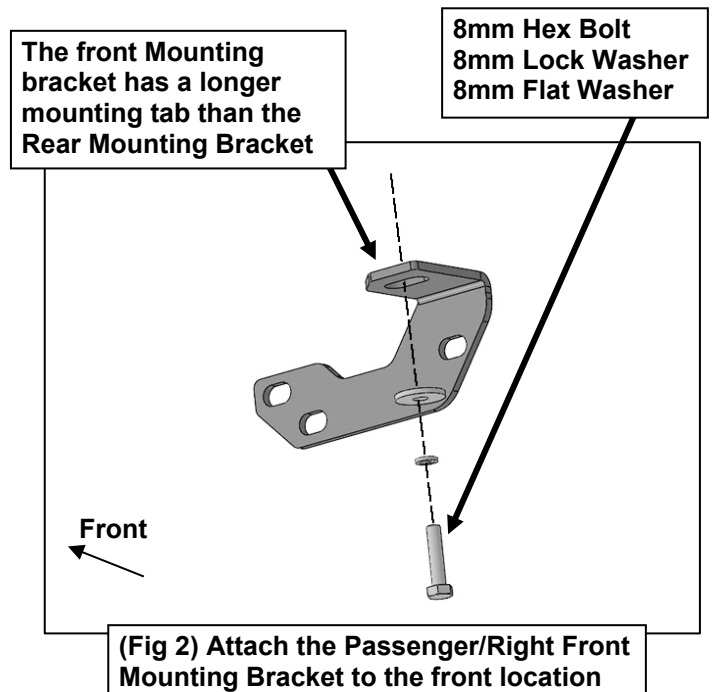
4. Select the Passenger/Right Front Support Bracket. Attach the Support Bracket to the pinch weld with (1) 6mm Double Bolt Plate, (2) 6mm Flat Washers and (2) 6mm Nylon Lock Nuts. Attach the Support Bracket to the Mounting Bracket with (1) 10mm Hex Bolt, (2) 10mm Flat Washers and (1) 10mm Nylon Lock Nut, **(Figures 3 & 4)**. Do not tighten hardware.
5. Repeat **Steps 3 & 4** to attach the Passenger/Right #2, #3 and Rear Mounting Brackets and the Support Brackets, **(Figures 5—7)**. **NOTE:** The Center Mounting Bracket has a notch in the top, **(Figure 6)**.
6. Select the Passenger/Right Tube. Insert (2) 8mm Triangle Double Bolt Plates into the front (2) sets of (2) holes, **(Figure 8)**. Attach (1) Drop Step to the (2) 8mm Double Bolt Plates with (4) 8mm x 22mm Flat Washers and (4) 8mm Nylon Lock Nuts, **(Figure 9)**. Do not tighten hardware.
7. With assistance, line up the mounting tabs in the Passenger/Right Tube to the rear faces of the Mounting Brackets. Secure the Tube to the Mounting Brackets with (8) 10mm Hex Bolts, (16) 10mm Flat Washers and (8) 10mm Nylon Lock Nuts, **(Figure 10)**. Do not tighten hardware.
8. Level and adjust the Overland Step, then tighten all hardware.
9. Repeat **Steps 2—9** to attach the Driver/Left Overland Step.
10. Do periodic inspections to the installation to make sure that all hardware is secure and tight.

**To protect your investment:** Do not use any type of polish or wax that may contain abrasives that could damage the finish. Mild soap may be used to clean the Overland Steps.

### Passenger/Right Installation Pictured

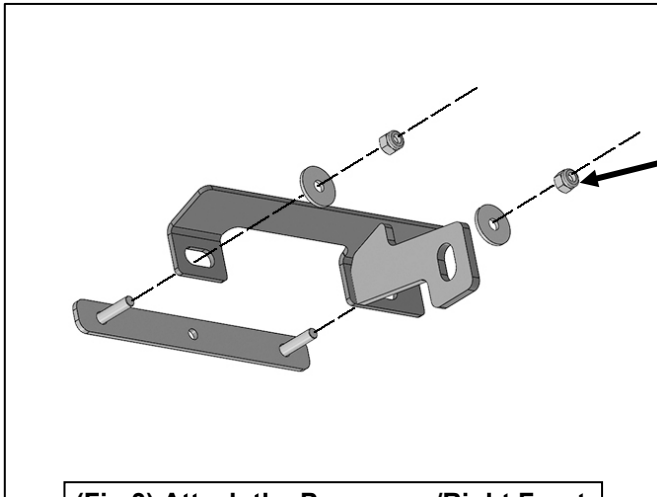


**(Fig 1) Passenger/Right front location**



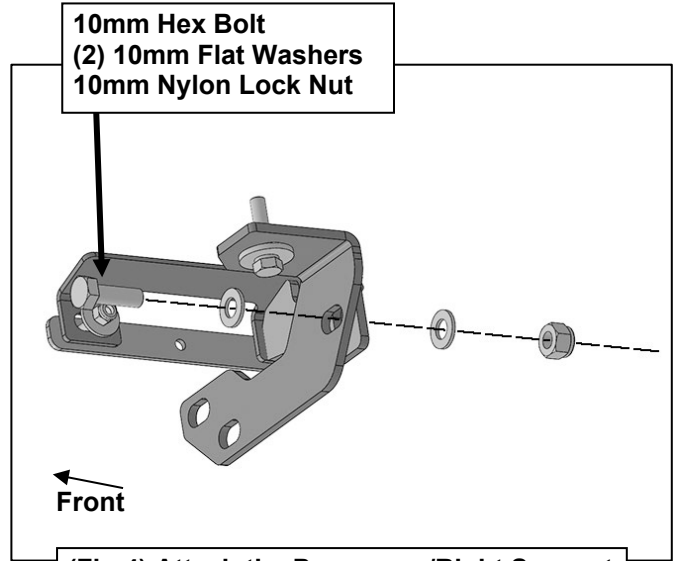
**(Fig 2) Attach the Passenger/Right Front Mounting Bracket to the front location**

### Passenger/Right Installation Pictured



- (1) 6mm Double Bolt Plate
- (2) 6mm Flat Washers
- (2) 6mm Nylon Lock Nuts

(Fig 3) Attach the Passenger/Right Front Support Bracket to the pinch trim

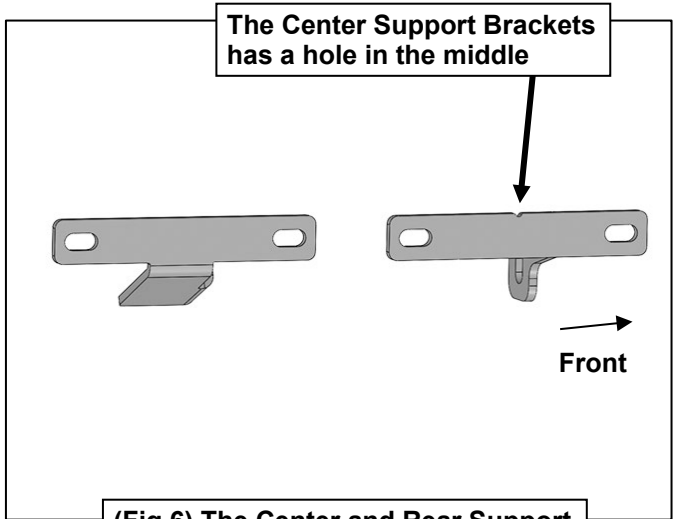


- 10mm Hex Bolt
- (2) 10mm Flat Washers
- 10mm Nylon Lock Nut

(Fig 4) Attach the Passenger/Right Support Bracket to the Mounting Bracket



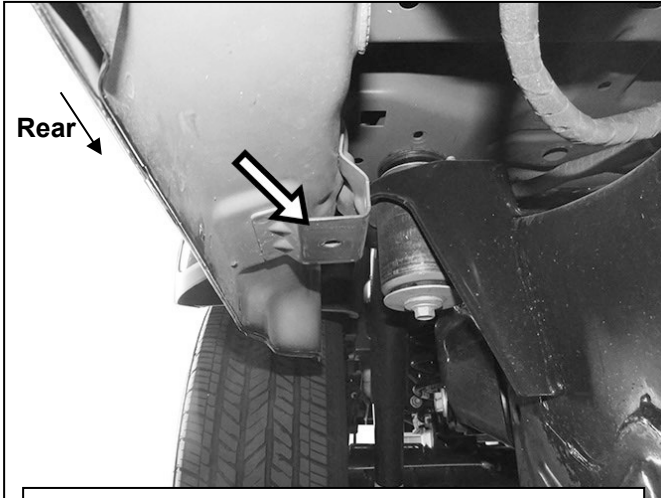
(Fig 5) Passenger/Right 2nd center location



The Center Support Brackets has a hole in the middle

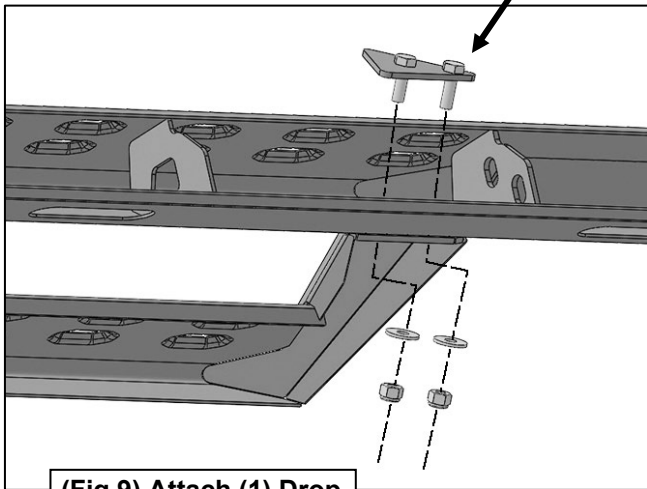
(Fig 6) The Center and Rear Support Brackets are similar but are unique

**Passenger/Right Installation Pictured**

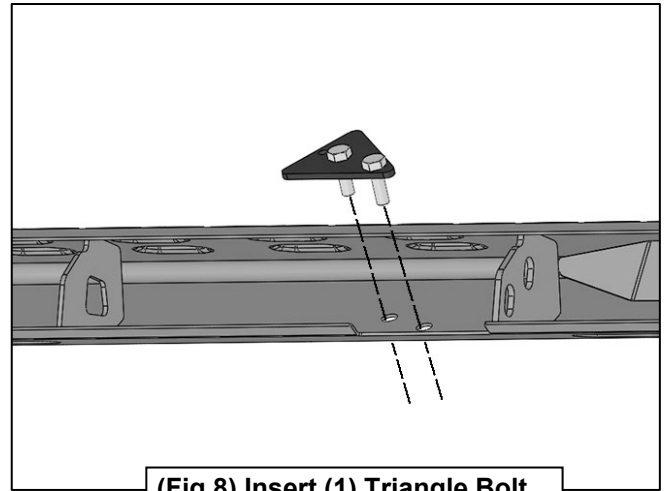


**(Fig 7) Passenger/Right rear mounting location**

- 8mm Bolt Plate
- (2) 8mm Flat Washers
- (2) 8mm Nylon Lock Nuts

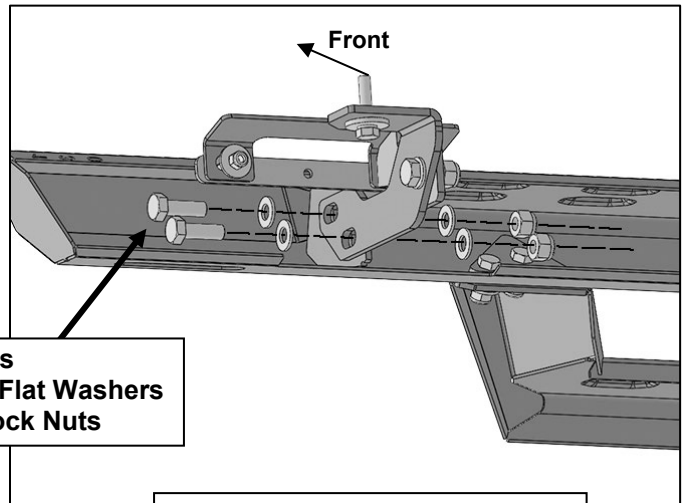


**(Fig 9) Attach (1) Drop Step to (2) Bolt Plates**



**(Fig 8) Insert (1) Triangle Bolt Plate into the holes in the Tube**

- (2) 10mm Hex Bolts
- (4) 10mm x 20mm Flat Washers
- (2) 10mm Nylon Lock Nuts



**(Fig 10) Attach (1) Running Board to the Mounting Brackets**