



---

# HD WIDE STEP RUNNING BOARDS

(2018-2025+ WRANGLER JL 2 DOOR)

---

## INSTALLATION INSTRUCTIONS

---

### CONTENTS

- (1) LH Running Board
- (1) RH Running Board
- (2) LH Step Brackets [DF, DR]
- (2) RH Step Brackets [PF, PR]
- (8) M10 x 24mm OD x 2.2mm Flat Washers
- (4) M10 x 30mm Hex Bolts
- (4) M10 Nylon Lock Nuts
- (8) M8 x 25mm Combo Bolts
- (4) M8mm x 35mm Hex Bolts
- (4) M8 Lock Washers
- (4) M8 x 28mm OD x 3mm Flat Washers
- (8) M6 x 25mm Hex Bolts
- (16) M6 x 22mm OD x 2mm Flat Washers
- (8) M6 Nylon Lock Nuts

---

### TOOLS REQUIRED

- 10mm, 13mm
- Sockets/Wrenches
- Ratchet

SKU # J260908  
Edited: 11/17/2025

# BARRICADE

## STEP 1



DRIVER SIDE  
STEP BRACKETS

DRIVER SIDE  
REINFORCEMENT  
BRACKETS

PASSENGER SIDE  
REINFORCEMENT  
BRACKETS

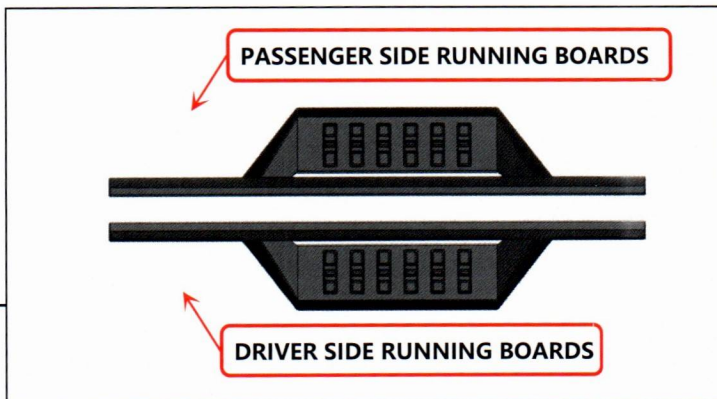
PASSENGER SIDE  
STEP BRACKETS

Please identify each mounting bracket using the engraved location identifier. **Notice:** Mounting Brackets look very similar but are unique.

DF: Driver Front  
DR: Driver Rear

PF: Passenger Front  
PR: Passenger Rear

## STEP 2

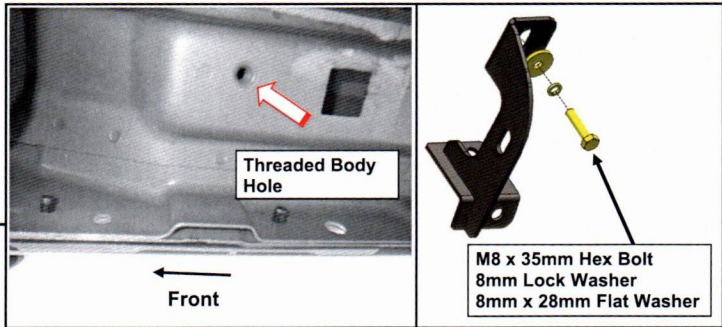


PASSENGER SIDE RUNNING BOARDS

DRIVER SIDE RUNNING BOARDS

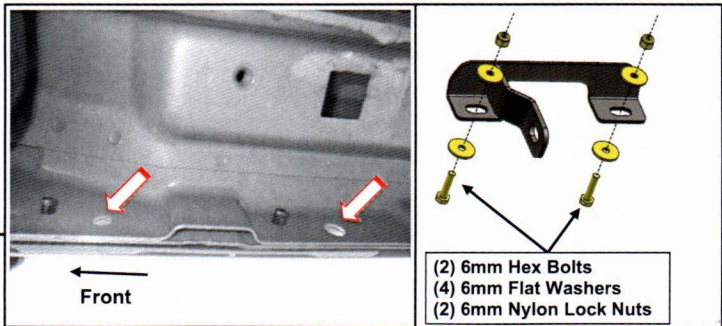
Identify each running board by identifier on the front. **Notice:** "L" for Driver/Left Side; "R" for Passenger/Right Side.

# BARRICADE



Start installation toward the front of the Passenger/Right side of the vehicle.

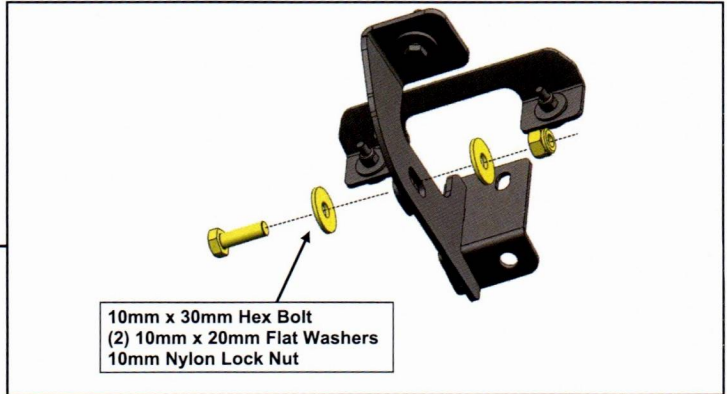
Loosely fit the (1) Passenger Front step bracket to the vehicle threaded body hole using (1) M8 x 35mm hex bolt, (1) M8 lock washer, and (1) M8 x 28mm flat washer. Do not fully tighten to allow for later adjustments. Repeat this step for PS rear step bracket.



Loosely fit the Passenger Front reinforcement bracket to the **inside of the vehicle pinch weld** using (2) M6 x 25mm hex bolts, (4) M6 flat washers, and (2) M6 nylon lock nuts. Do not fully tighten to allow for later adjustments. Repeat this step for PS rear step bracket.

# BARRICADE

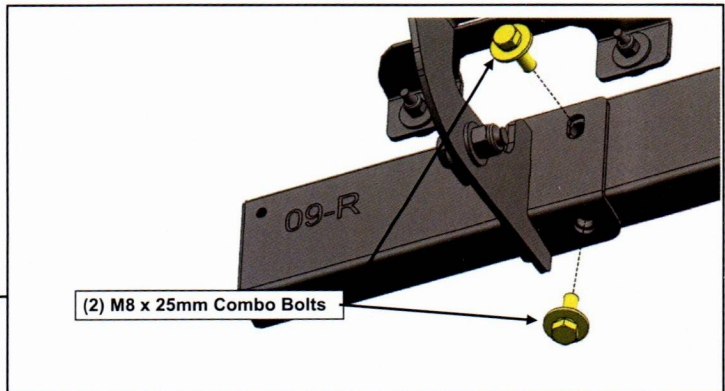
## STEP 5



Loosely connect the (1) Passenger step bracket to the (1) Passenger reinforcement bracket using (1) M10 x 30mm hex bolt, (2) M10 x 20mm flat washers, and (1) M10 lock nut.

Repeat this step for all step brackets.

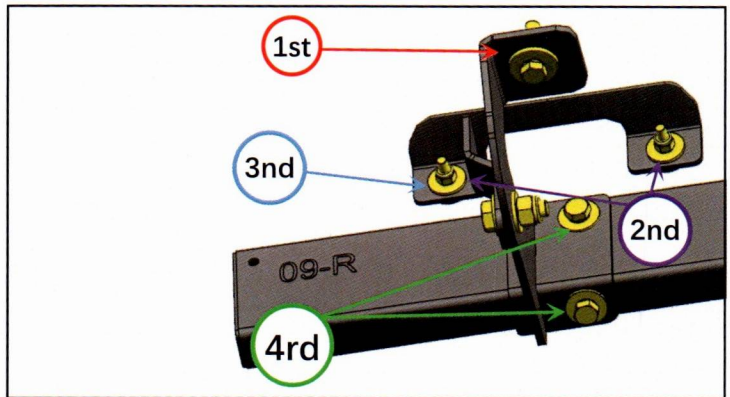
## STEP 6



With all brackets loosely mounted to the vehicle, fit the running board onto the front bracket, and loosely secure into place using (2) M8 x 25mm combo bolt. Repeat the step for PS rear step bracket.

# BARRICADE

---



---

## STEP 7

Tighten the mounting brackets to the vehicle. Adjust the running board to the desired angle, and tighten the bolts to secure the step into place. See photo for tightening order visual.

Repeat steps 1-7 for the remaining running board.

Installation is now complete.