

# **GT** **MOMENTUM**

**advanced FLOW engineering** Momentum GT Stage-2 Cold Air Intake System

**Instruction Manual** P/N: 50-70123D / 50-70123R

Make: Jeep Model: Wrangler (JL) 4XE Year: 2024-2025 Engine: L4-2.0L (t) Hybrid



- Please read the entire instruction manual before proceeding.
- Ensure all components listed are present.
- For technical support please call 951-493-7185.
- Ensure you have all necessary tools before proceeding.
- Do not attempt to work on your vehicle when the engine is hot.
- Retain factory parts for future use.

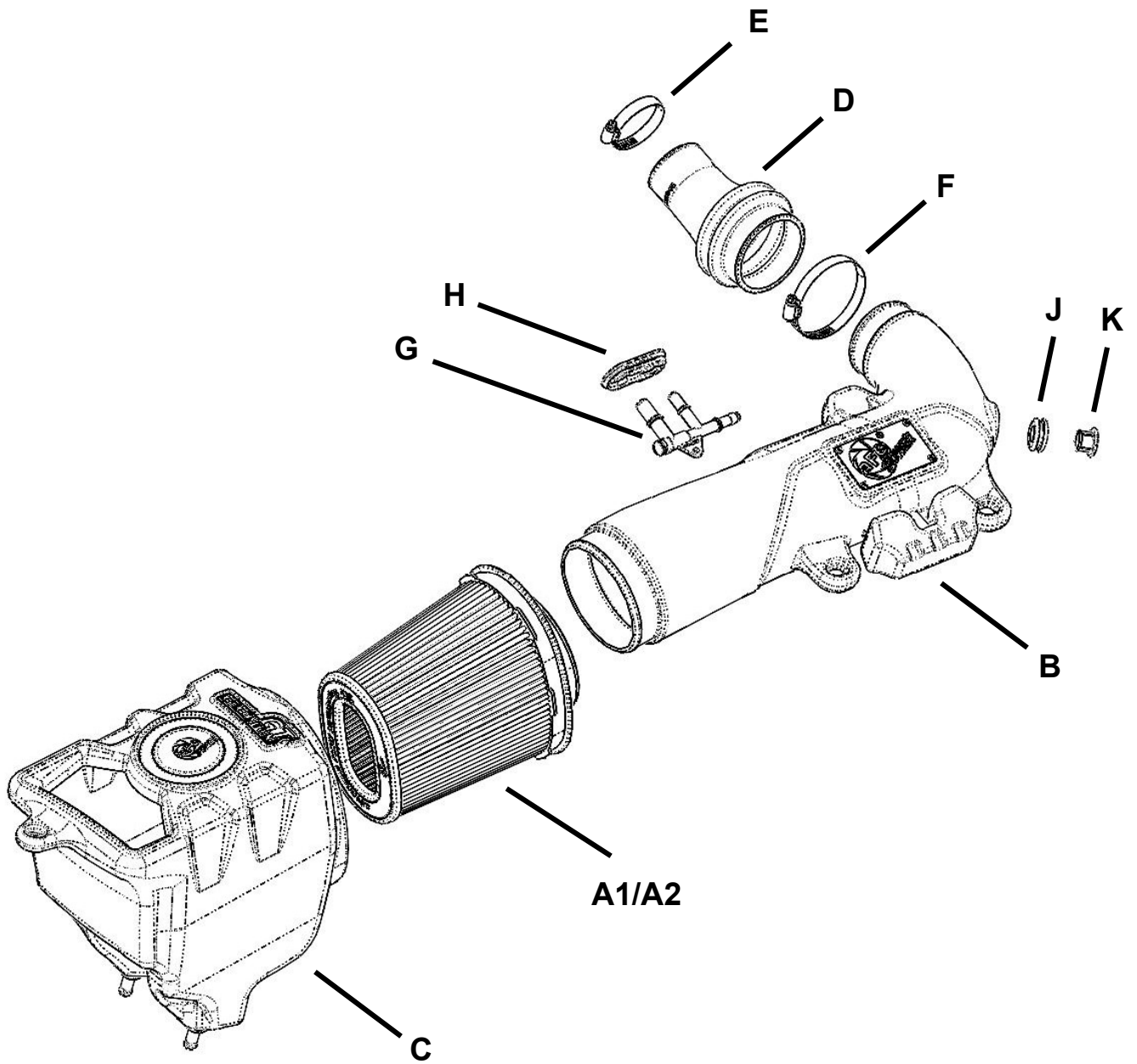
Label	Qty.	UoM	Description	Part Number
A1	1	Ea	Air Filter (Pro DRY S)	21-91126
A2	1	Ea	Air Filter (Pro 5R)	24-91126
B	1	Ea	Tube, Rotomold: 50-70123	05-5070123B1
C	1	Ea	Housing, Rotomold: 54-76217	05-76217B2
D	1	Ea	Coupling, Silicone Elbow Rdr (3.25"x2.25") 15 Deg	05-01786
E	1	Ea	Clamp, 032 (1-9/16" -2-1/2")	03-50016
F	1	Ea	Clamp, 048 (2-9/16" - 3-1/2 ")	03-50007
G	1	Ea	Fitting, CCV Vacuum: (1/2"& 3/8")in, 3/8"out	05-01499
H	1	Ea	Grommet, 05-01499 Fitting	03-50665
J	1	Ea	Grommet, Rubber: MS35489-77	03-50167
K	1	Ea	Fitting, Air Temp Sensor: Injection Molded	05-01454

**Installation will require the following tools:**

8mm nut driver or flat head screwdriver, 10mm sockets and driver, panel removal tool.

Warranty Information available at: <https://afepower.com/contact#warranty>

**Emissions Disclaimer:** This product is not currently CARB exempt and is not available for purchase in California or for use on any vehicle registered with the California Department of Motor Vehicles.





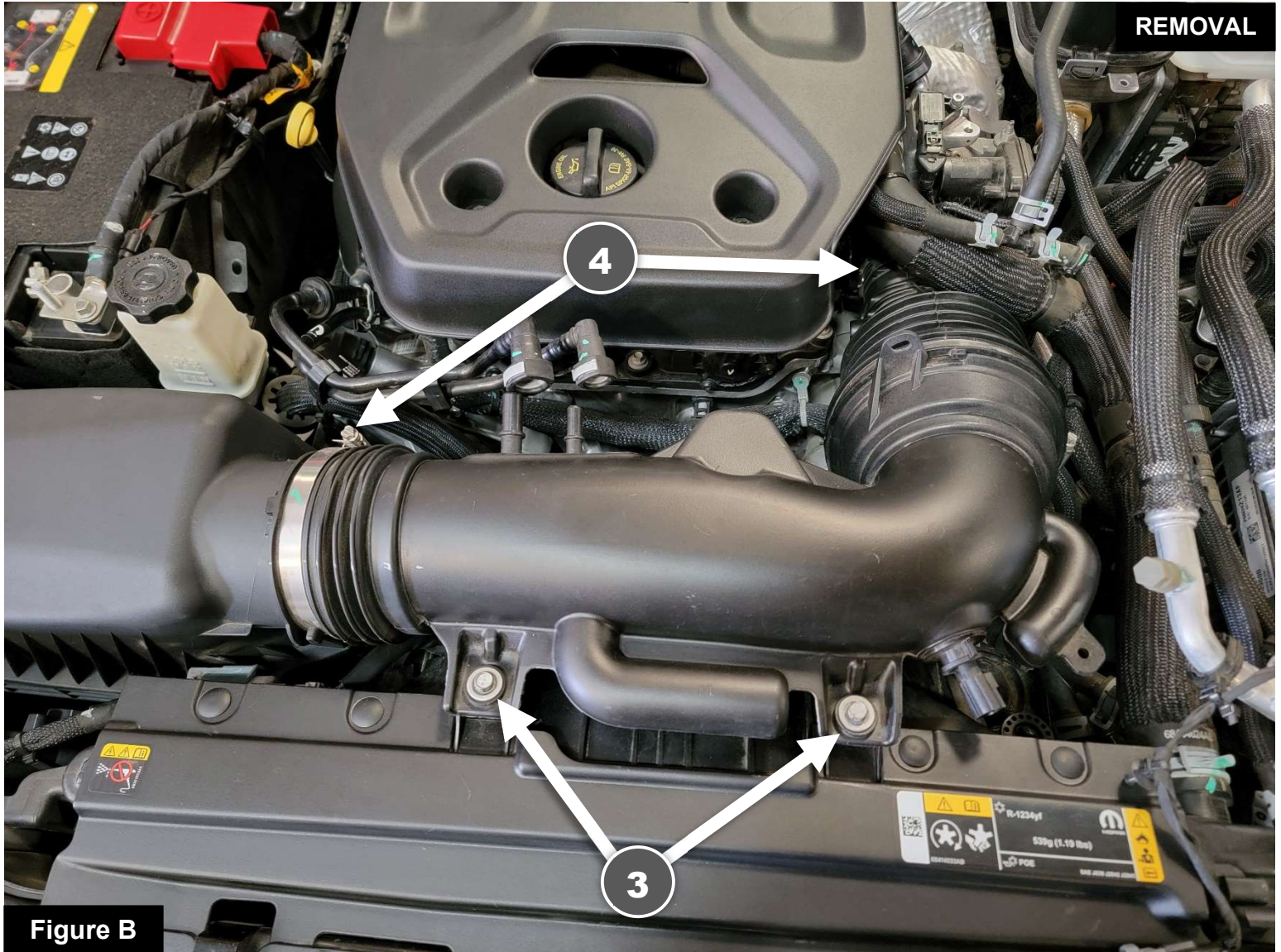


## Refer to Figure A for Steps 1-2

**Step 1:** Disconnect the two vent lines that are connected to the intake tube ① by pushing on the grey clips and sliding the tubes off the fittings

**Step 2:** Unclip the electrical harness ② from the Intake Air Temperature (IAT) sensor and from the intake tube.





**Figure B**

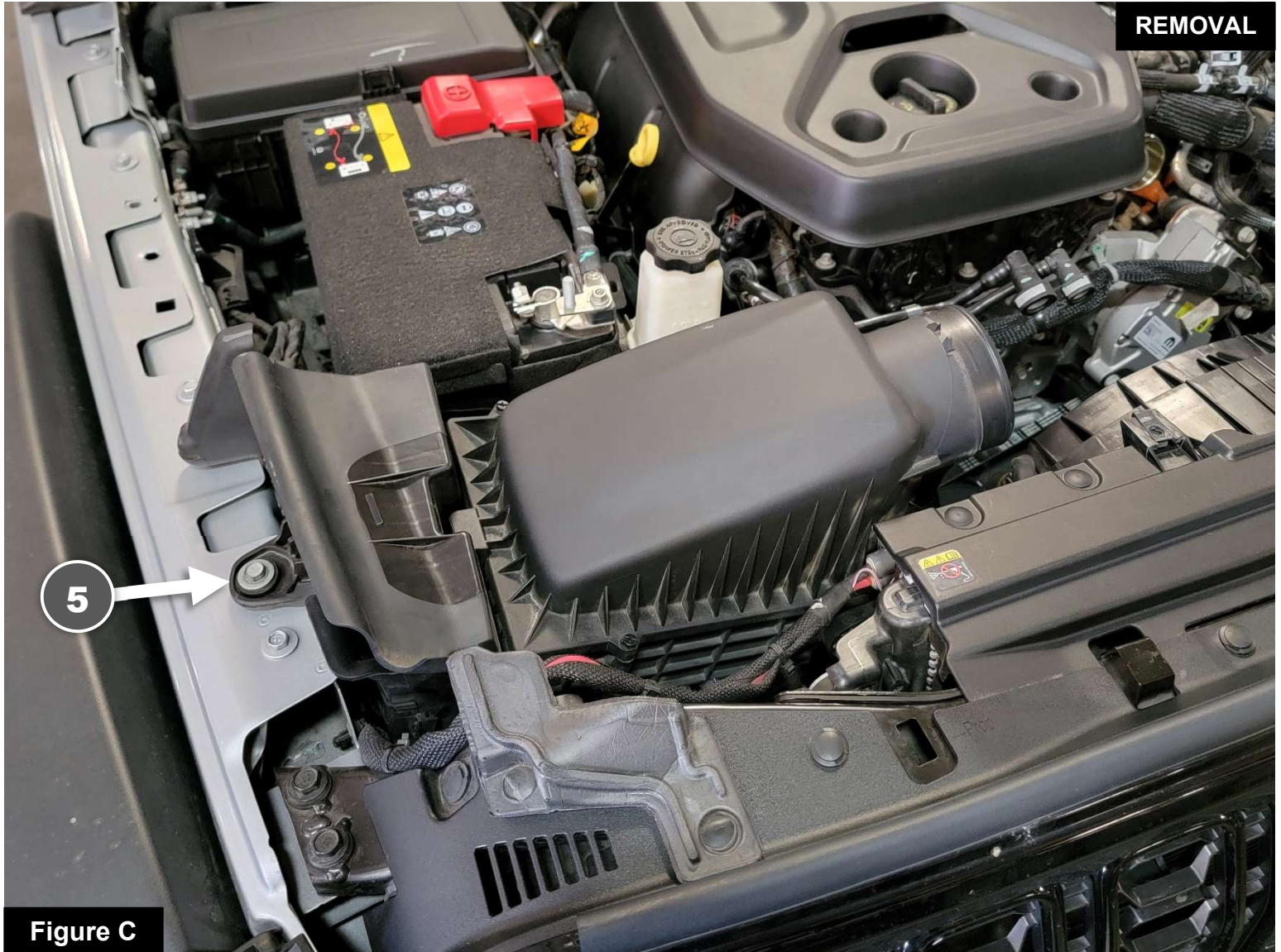
**Refer to Figure B for Steps 3-5**

**Step 3:** Use a 10mm socket and driver to remove the two screws securing the intake tube to the radiator core support. ③

**Step 4:** Use an 8mm nut driver or flathead screwdriver to loosen the intake tube clamps located near the air box and the turbo. ④

**Step 5:** Remove the intake tube from the vehicle.





**Refer to Figure C for Steps 6-7**

**Step 6:** Use a 10mm socket to remove the screw securing the air box to the fender. ⑤

**Step 7:** Remove the air box from the vehicle by lifting it straight upwards out of its mounting grommets.



**Figure D****Refer to Figure D for Steps 8-9**

**Step 8:** Make sure that the air box mounting grommets are still in place as shown. These tend to come out with the OE air box. (6)

**Step 9:** If needed, reroute the electrical cable for the headlight so that it sits below the support bar as shown. This will prevent it from interfering with the new aFe POWER housing in later steps. (7)



Figure E

**Refer to Figure E for Step 10**

**Step 10:** Remove the metal sleeve and rubber grommet from the mounting tab on the OE air box. ⑧



**Figure F****Refer to Figure F for Steps 11-12**

**Step 11:** Remove the metal sleeves and rubber grommets from the OE intake tube. ⑨

**Step 12:** Remove the IAT Sensor from the factory intake tube by lifting the locking tab, rotating the sensor a quarter-turn counterclockwise, and then pulling the sensor straight out. ⑩

**Figure G****Refer to Figure G for Steps 13-14**

**Step 13:** Install the OE rubber grommet and metal sleeve into the mounting tab on the new aFe POWER intake housing. (11)

**Step 14:** Install the aFe POWER air filter into the housing so that it snaps into place all the way around and loosely install the clamp over the filter flange as shown. (12)



**Figure H****Refer to Figure H for Steps 15-18**

- Step 15:** Reinstall the OE rubber grommets and metal sleeves into the mounting tabs on the new aFe POWER intake tube. (13)
- Step 16:** Install the CCV fitting into its provided grommet, making sure to match the hole sizes up respectively, and then install the assembly into the intake tube from the outside as shown. (14)
- Step 17:** Install the large round rubber grommet provided into the round hole on the intake tube, and then install the plastic IAT fitting into the grommet. (15)
- Step 18:** Install the IAT Sensor into the IAT Fitting, and rotate it clockwise a quarter-turn to lock it into place. Make sure the locking tab clicks past the retainer on the IAT fitting.





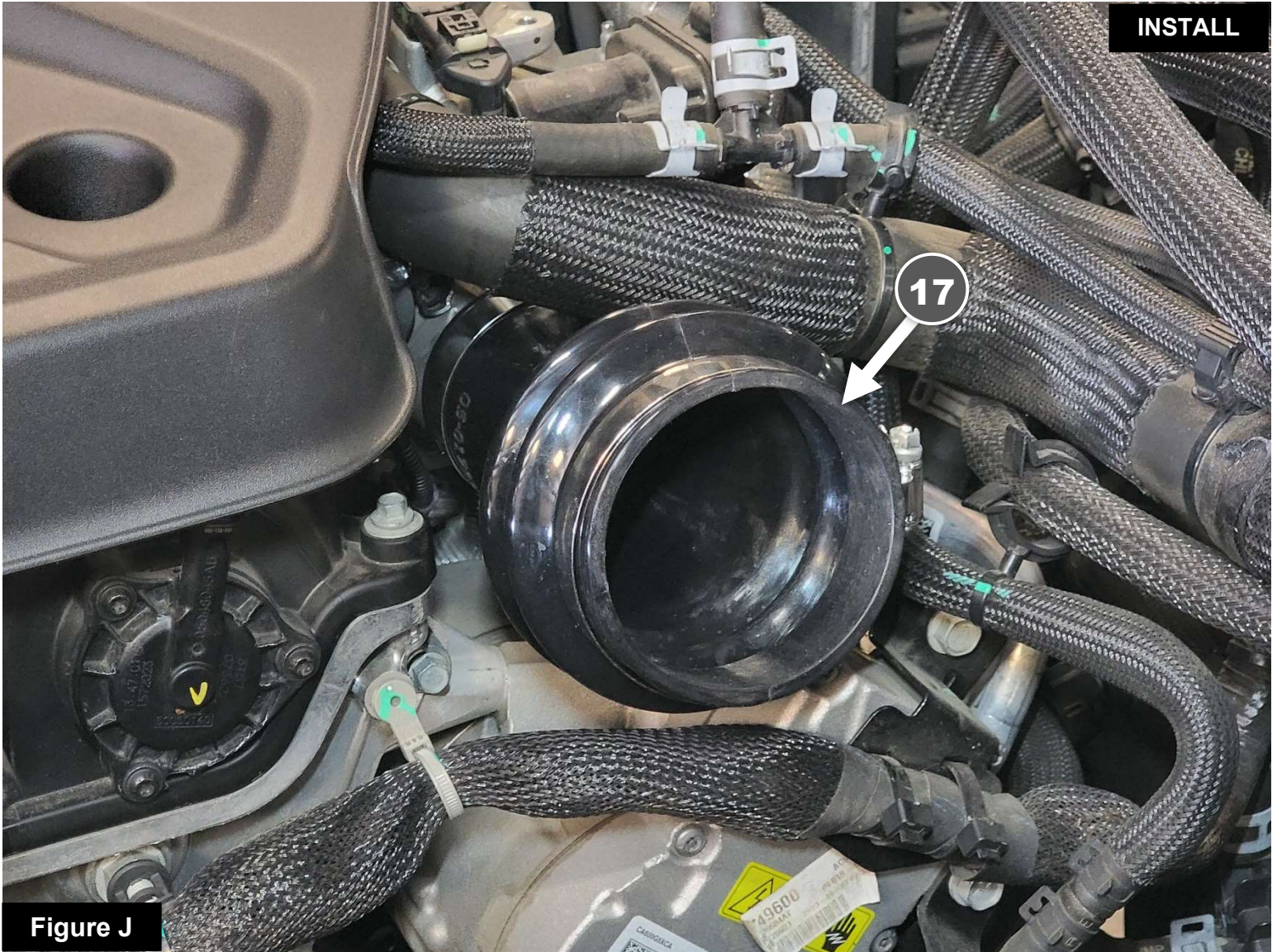
Figure I

**Refer to Figure I for Steps 19-20**

**Step 19:** Install the housing into the vehicle as shown and press down firmly on the housing to lock the pegs into the rubber grommets under the housing.

**Step 20:** Secure the housing to the fender with the factory screw. ①6



**Figure J****Refer to Figure J for Steps 21-22**

**Step 21:** Place the small clamp onto the smaller end of the coupler and place the large clamp onto the larger end of the coupler.

**Step 22:** Install the coupler onto the turbo inlet as shown. Leave both clamps loose at this time. (17)



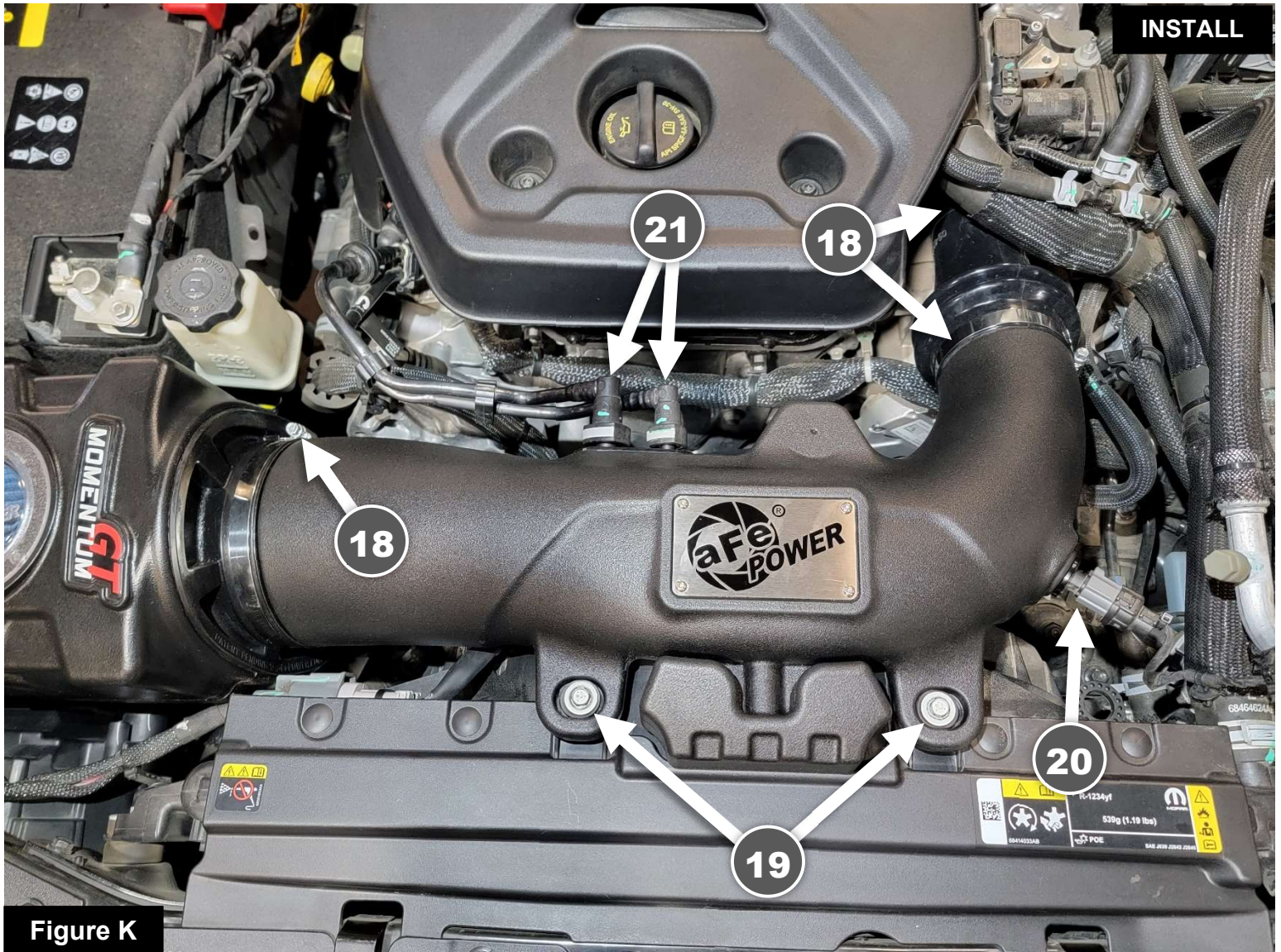


Figure K

**Refer to Figure K for Steps 23-27**

**Step 23:** Install the aFe POWER intake tube assembly into the air filter first and then slide the tube into the coupler.

**Step 24:** Adjust the coupler and intake tube rotation until everything lines up correctly and then tighten all three clamps. (18)

**Step 25:** Secure the tube to the fan shroud with the OE screws removed previously. (19)

**Step 26:** Plug in the electrical harness for the IAT sensor. (20)

**Step 27:** Reconnect the two (2) plastic lines for the new CCV fitting. Push one connector on at a time while holding the other side of the CCV fitting so it does not push into the intake tube. (21)



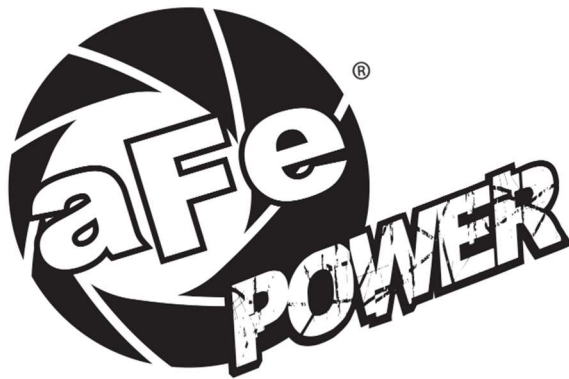


Figure L

**Refer to Figure L for Step 28**

**Step 28:** Check all the components are tight and secure. Your installation is now complete. Thank you for choosing aFe POWER!

**NOTE:** Check all screws, clamps, and connectors are secure after 100-200 miles.



***advanced FLOW engineering, inc.***

Corona, CA 92879

<https://afepower.com/contact>

P/N: 50-70123