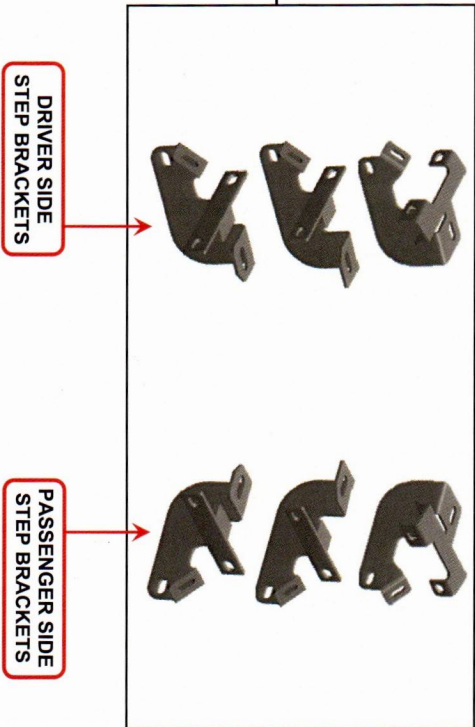


STEP 1

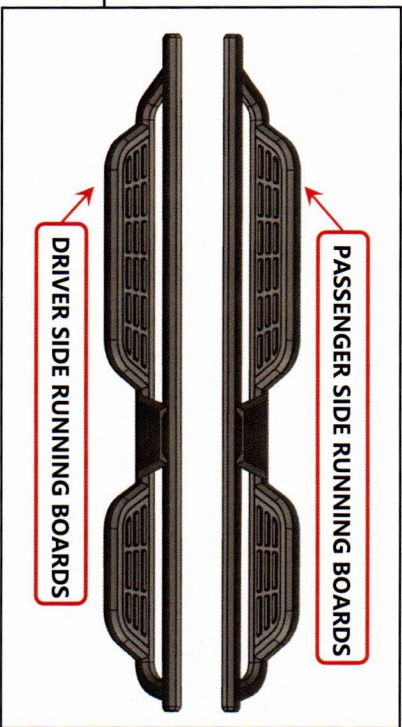


Please identify each mounting bracket using the engraved location identifier. **Notice:** Mounting Brackets look very similar but are unique.

DF: Driver Front
DC: Driver Center
DR: Driver Rear

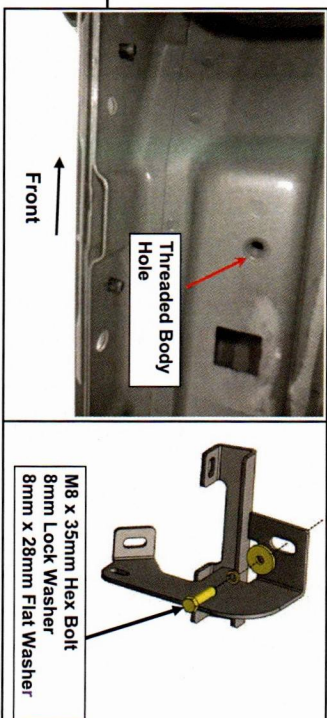
PF: Passenger Front
PC: Passenger Center
PR: Passenger Rear

STEP 2



Identify each running board by identifier on the front. **Notice:** "D" for Driver/Left Side; "P" for Passenger/Right Side.

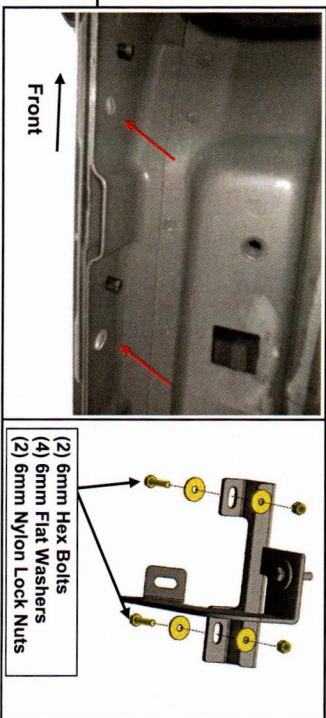
STEP 3



Start installation toward the front of the Passenger/Right side of the vehicle.

Loosely fit the (1) Passenger Front step bracket to the vehicle threaded body hole using (1) M8 x 35mm hex bolt, (1) M8 lock washer, and (1) M8 x 28mm flat washer. Do not fully tighten to allow for later adjustments. Repeat this step for all step brackets.

STEP 4



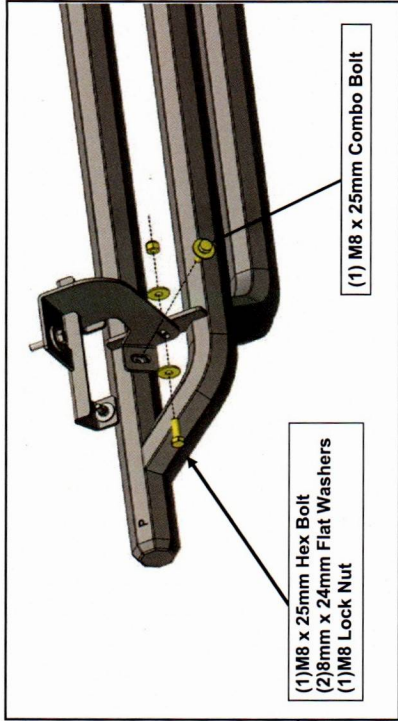
Loosely fit the Passenger Front reinforcement bracket to the **inside of the vehicle pinch weld** using (2) M6 x 25mm hex bolts, (4) M6 flat washers, and (2) M6 nylon lock nuts. Do not fully tighten to allow for later adjustments.

Repeat this step for all step brackets.

TC4 HD RUNNING BOARDS

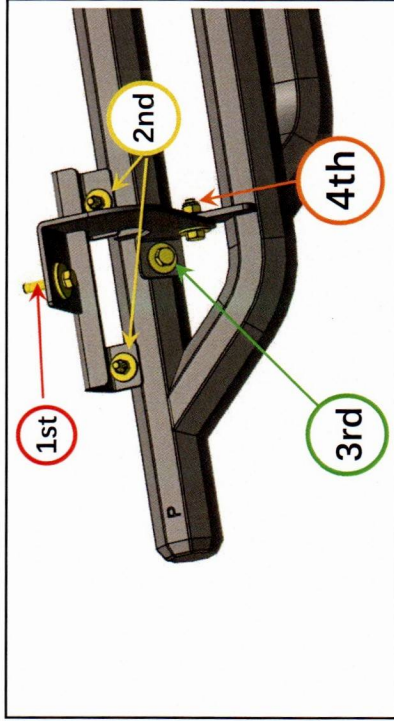
(2018-2025+ WRANGLER JL 4 DOOR)

STEP 5



With all brackets loosely mounted to the vehicle, fit the running board onto the front bracket, and loosely secure into place using (1) M8 x 25mm combo bolt, (1) M8 x 25mm hex bolt, (2) M8 x 24mm flat washer, (1) M8 lock nut. Repeat the step for other (2) PS step brackets.

STEP 6



Tighten the mounting brackets to the vehicle. Adjust the running board to the desired angle, and tighten the bolts to secure the step into place. See photo for tightening order visual.

Repeat steps 1-6 for the remaining running board.
Installation is now complete.

INSTALLATION INSTRUCTIONS

CONTENTS

- (1) LH Running Board
- (1) RH Running Board
- (3) LH Step Brackets [DF, DC, DR]
- (3) RH Step Brackets [PF, PC, PR]
- (6) M8 x 25mm Combo Bolts
- (6) M8mm x 25mm Hex Bolts
- (6) M8mm x 35mm Hex Bolts
- (6) M8 Lock Washers
- (6) M8 Lock Nuts
- (6) M8 x 28mm OD x 3mm Flat Washers
- (12) M8 x 24mm OD x 2mm Flat Washers
- (12) M6 x 25mm Hex Bolts
- (24) M6 x 22mm OD x 2mm Flat Washers
- (12) M6 Nylon Lock Nuts

TOOLS REQUIRED

- 10mm, 13mm,
Sockets/Wrenches
- Ratchet