

Instructions Body Lift Kit

N.B: This instruction sheet should be used in conjunction with the workshop manual and proper safety procedures followed.

Stage 1 - Relocate fan shroud

1. Remove engine fan and fan shroud.
Loosen the fan belt to do this.

2. Drill new support holes in radiator - these holes need to be lowered 1 inch (approx. 25mm) from original holes to cater for the lift.

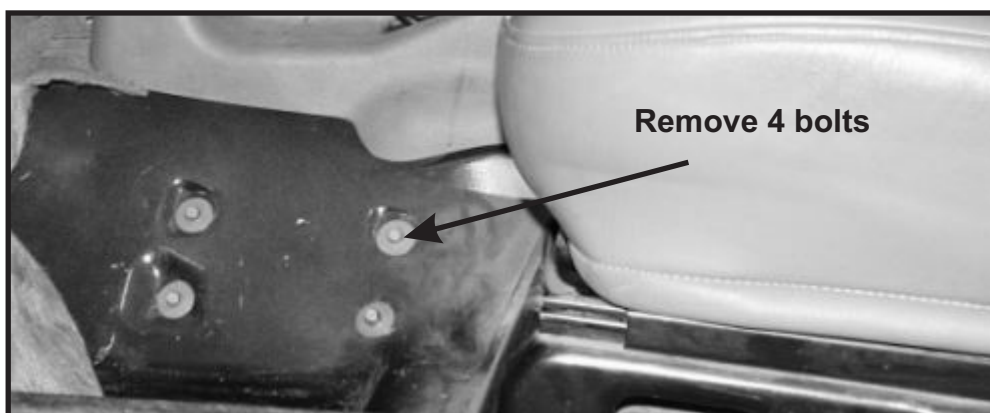
As the shroud will now sit 1 inch lower on radiator, you will have to cut out sections at the bottom to cater for radiator and trans cooler hoses.

Best to re-fit fan shroud at end of body mount install.

Stage 2 - Adapter plate for 4WD selector

1. Lift carpet on LHS to access the 4 bolts - see image below.
2. Remove the 4 bolts and bracket from vehicle.
3. Once removed, remove the smaller linkage plate.
4. Drill out the 2 holes to 5/16" (8mm), then bolt up the supplied plate with supplied counter-sunk bolts and nuts.

Re-fit to vehicle at end of body mount install



N.B: It is recommended that a licenced workshop or tradesperson carry out the above procedure and that workshop manual and relevant safety procedures are followed in addition to the above.

Instructions Body Lift Kit

N.B: This instruction sheet should be used in conjunction with the workshop manual and proper safety procedures followed.

Stage 3 - Install of body mounts

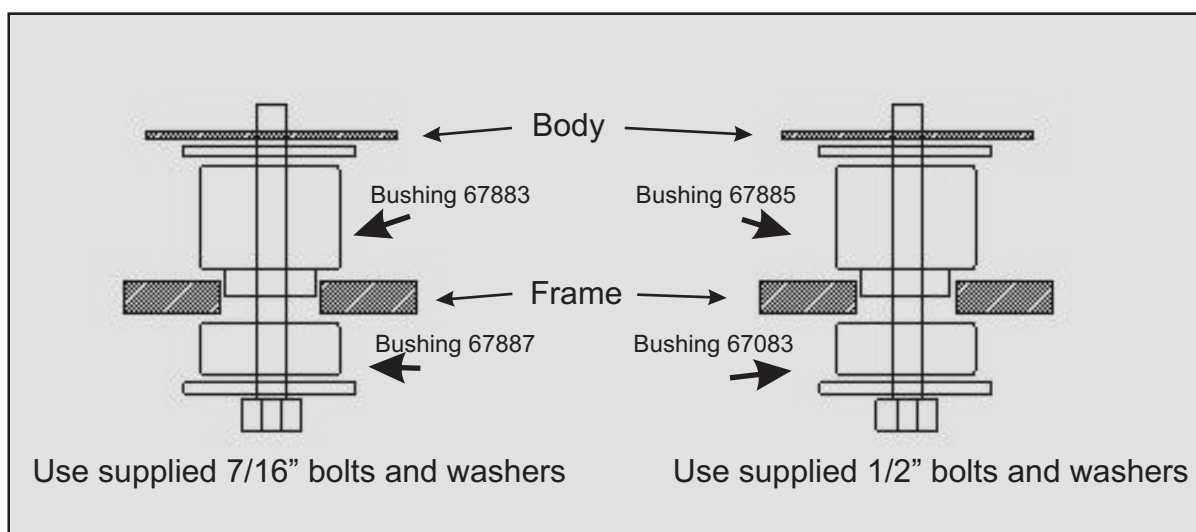
Careful of any wiring and brake/fuel lines when lifting body.

1. Loosen all body mounts. Lubricant may be required. Remove bolts from positions 1 and 5 - refer diagram. (This will aid with fitment process)
2. Install body mounts on one side at a time (opposite side to be loose though).
3. In addition to a Jack, it may be best to add soft material between body and jack, such as wood (to protect the body and increase lifting surface area). Only lift body high enough to install each mount.

Refer image below and on page 3 for bushing position.

**Reference for
positions 1, 5, 6**

**Reference for
positions 2,3, 4**

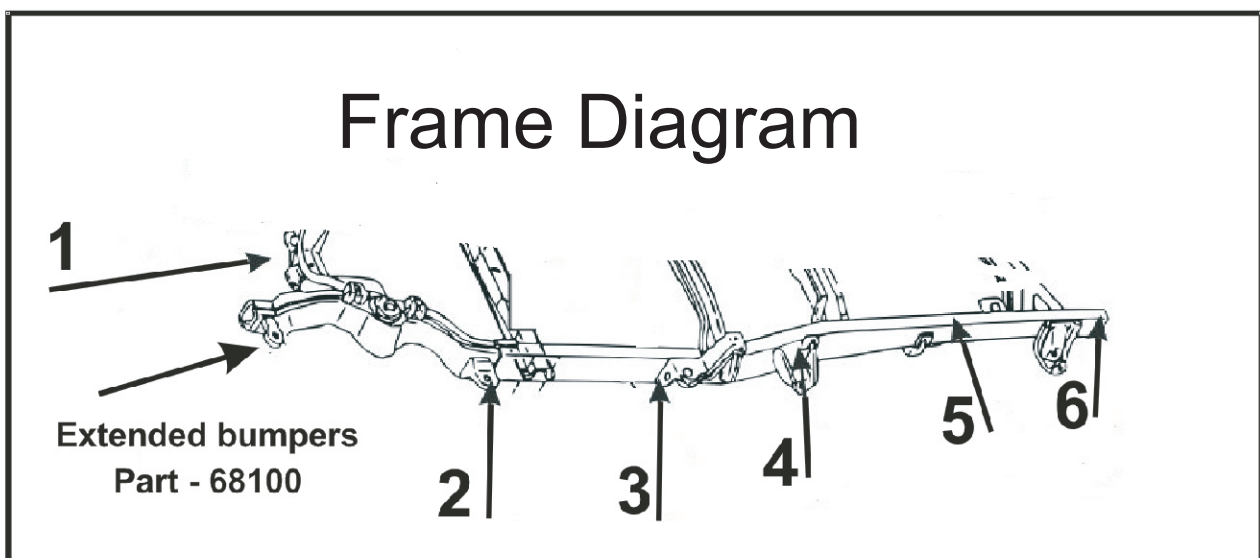


N.B: It is recommended that a licenced workshop or tradesperson carry out the above procedure and that workshop manual and relevant safety procedures are followed in addition to the above.

Instructions Body Lift Kit

N.B: This instruction sheet should be used in conjunction with the workshop manual and proper safety procedures followed.

BUSHING	DESCRIPTION		QTY	POSITION
67883	Upper bushing		5	1, 5, 6
67887	Lower bushing		5	1, 5, 6
67885	Upper bushing		6	2, 3, 4
67803	Lower bushing		6	2, 3, 4



Stage 4

1. Remove and replace front bumpers/bump stops (under grill) with supplied extended units - part 68100.
2. Re-fit 4WD selector bracket.
3. Re-fit fan shroud.
4. Check all areas for clearance inc brake and fuel lines
Tighten all hardware.

Recheck all bolts after 500km/miles travelled.

N.B: It is recommended that a licenced workshop or tradesperson carry out the above procedure and that workshop manual and relevant safety procedures are followed in addition to the above.