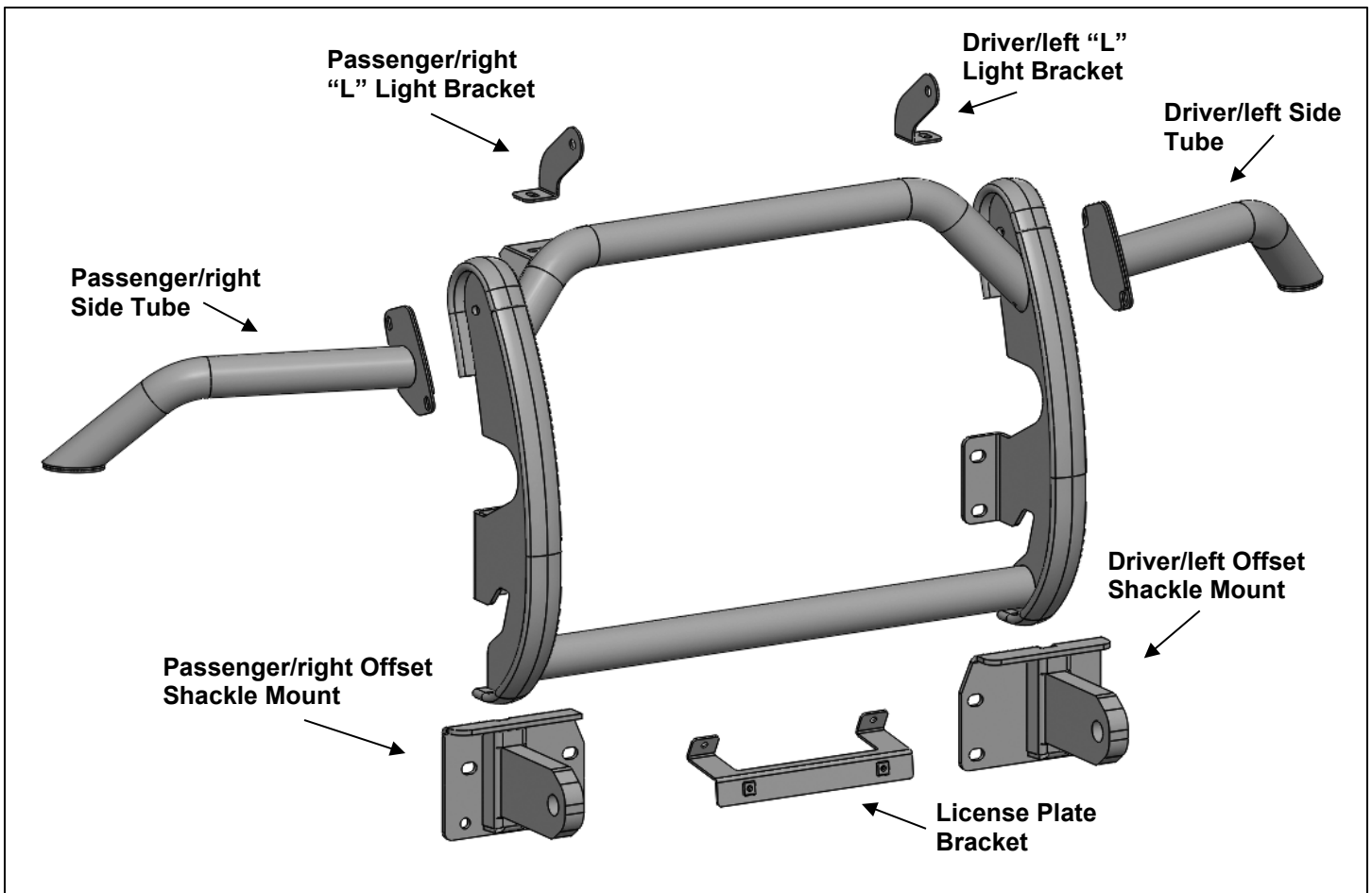


## Installation Instructions

### PARTS LIST:

Qty	Item Description	Qty	Item Description
1	Push Bar	1	5mm Wrench
1	Driver/left Side Tube	2	8-1.25mm x 30mm Hex Combo Bolts
1	Passenger/Right Side Tube	4	8-1.25mm x 25mm Button Head Bolts
1	Driver/left Offset Shackle Mount	6	8mm x 22mm x 2mm Flat Washers
1	Passenger/Right Offset Shackle Mount	4	8mm x 16mm x 1.6mm Flat Washers
1	Driver/left LED "L" Bracket	2	8-1.25mm x 25mm Hex Bolt
1	Passenger/Right LED "L" Bracket	2	8-1.25mm x 16mm Hex Bolt
1	License Plate Bracket	8	8mm Lock Washers
2	Plastic Plugs for License Plate	6	8mm Hex Nuts
4	Plastic Hole Plugs	2	6-1.0mm x 20mm Combo Bolts
1	4mm Wrench		



## TOOLS REQUIRED



Ratchet



13 & 19mm Socket

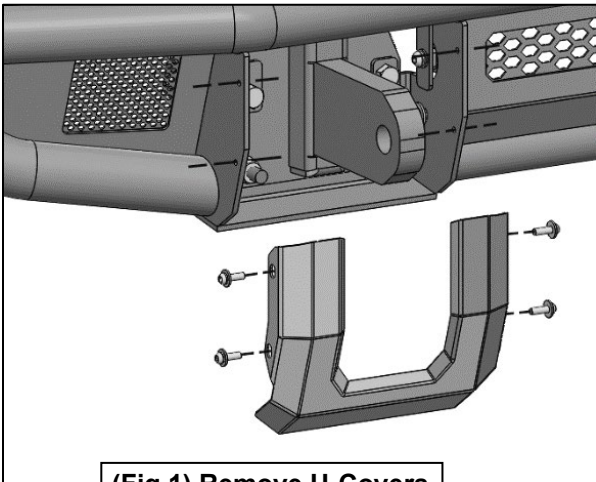


Extensions

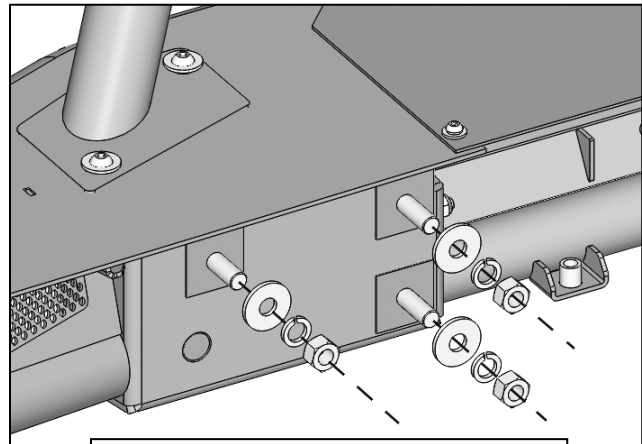


Wrench

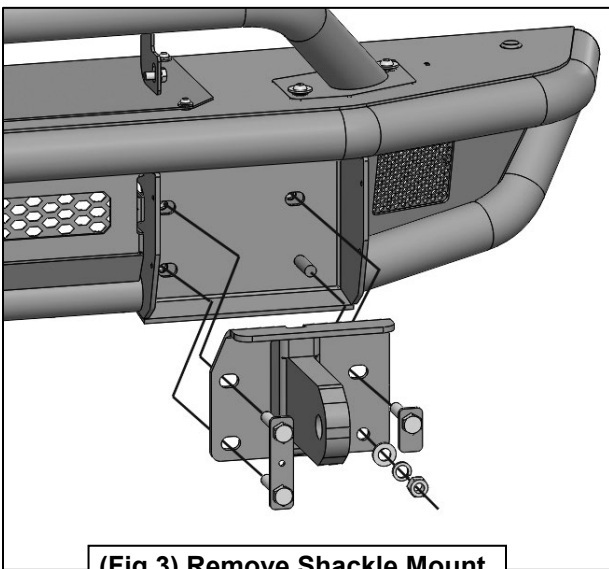
- 1 Follow (Fig 1 – 4) to remove standard U-Covers, Shackle Mounts, and other hardware to prepare for Push Bar Installation.



(Fig 1) Remove U-Covers



(Fig 2) Remove hardware attaching Shackle Mount to bumper



(Fig 3) Remove Shackle Mount

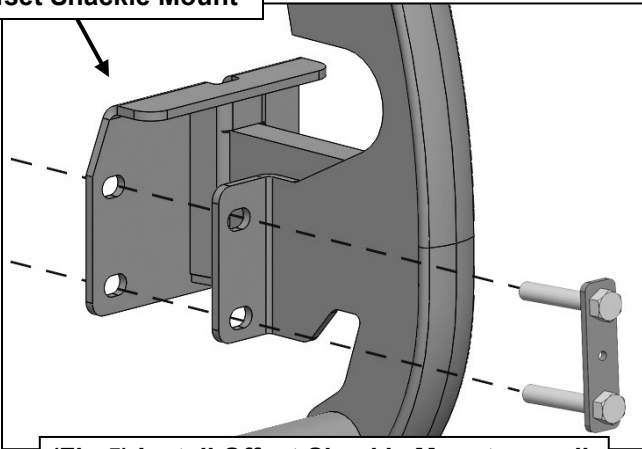


(Fig 4) Remove Plastic Plug for Push Bar installation

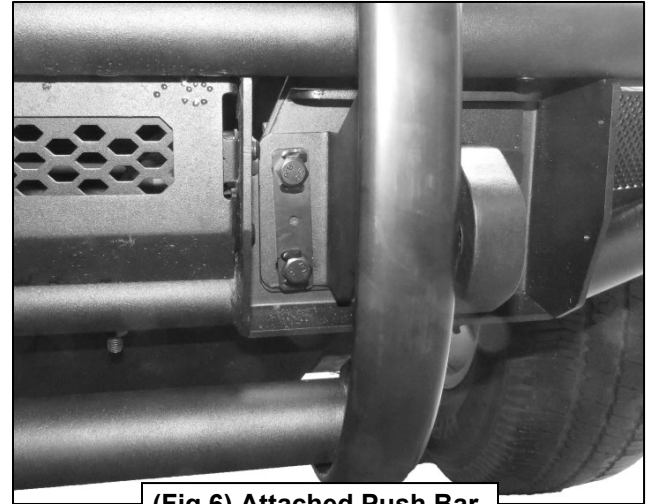
2

Follow (Fig 5 – 12) to attach Offset Shackle Mounts, then install Push Bar and connect Push Bar Wings. Then reinstall U-covers. Ensure fasteners are hand tight at this point.

Offset Shackle Mount

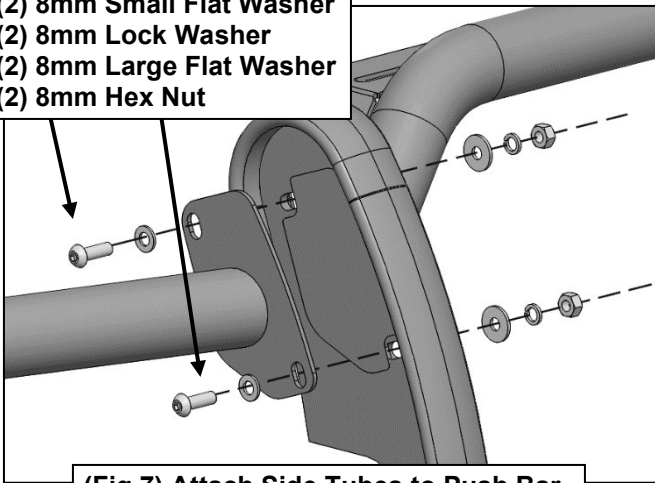


(Fig 5) Install Offset Shackle Mount as well as Push Bar reusing Double Bolt Plate



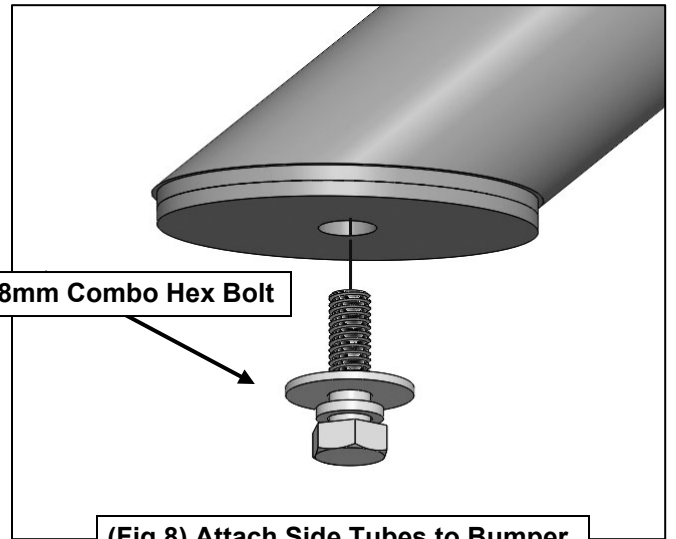
(Fig 6) Attached Push Bar and Offset Shackle Mount

- (2) 8mm Button Head Bolts
- (2) 8mm Small Flat Washer
- (2) 8mm Lock Washer
- (2) 8mm Large Flat Washer
- (2) 8mm Hex Nut



(Fig 7) Attach Side Tubes to Push Bar

(1) 8mm Combo Hex Bolt

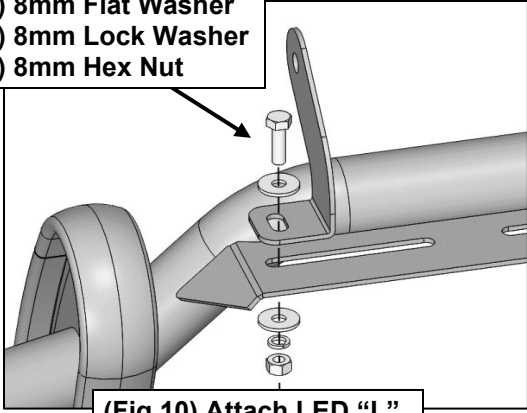


(Fig 8) Attach Side Tubes to Bumper



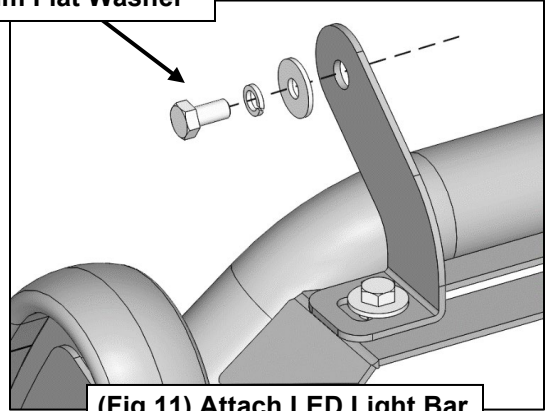
(Fig 9) Attached Side Tube

- (1) 8mm Hex Nut
- (2) 8mm Flat Washer
- (1) 8mm Lock Washer
- (1) 8mm Hex Nut

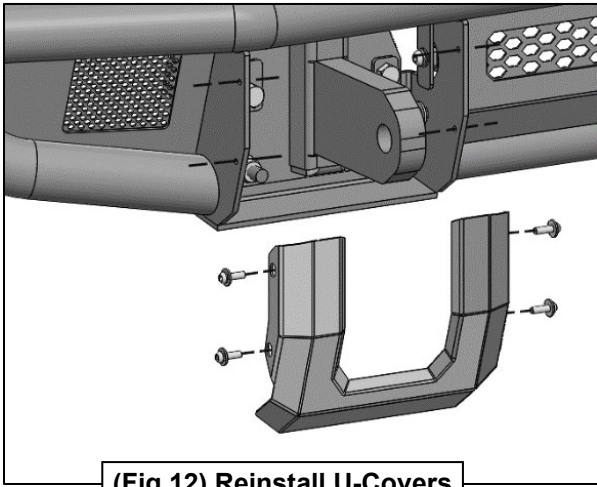


(Fig 10) Attach LED "L" Bracket to slots in rear

- (1) 8mm Hex Nut
- (1) 8mm Lock Washer
- (1) 8mm Flat Washer



(Fig 11) Attach LED Light Bar (Not included) to "L" Bracket



(Fig 12) Reinstall U-Covers

**3**

Ensure Push Bar is level and properly fit, then tighten all fasteners. Installation is complete. Do periodic inspections to the installation to make sure that all hardware is secure and tight.



Completed Installation