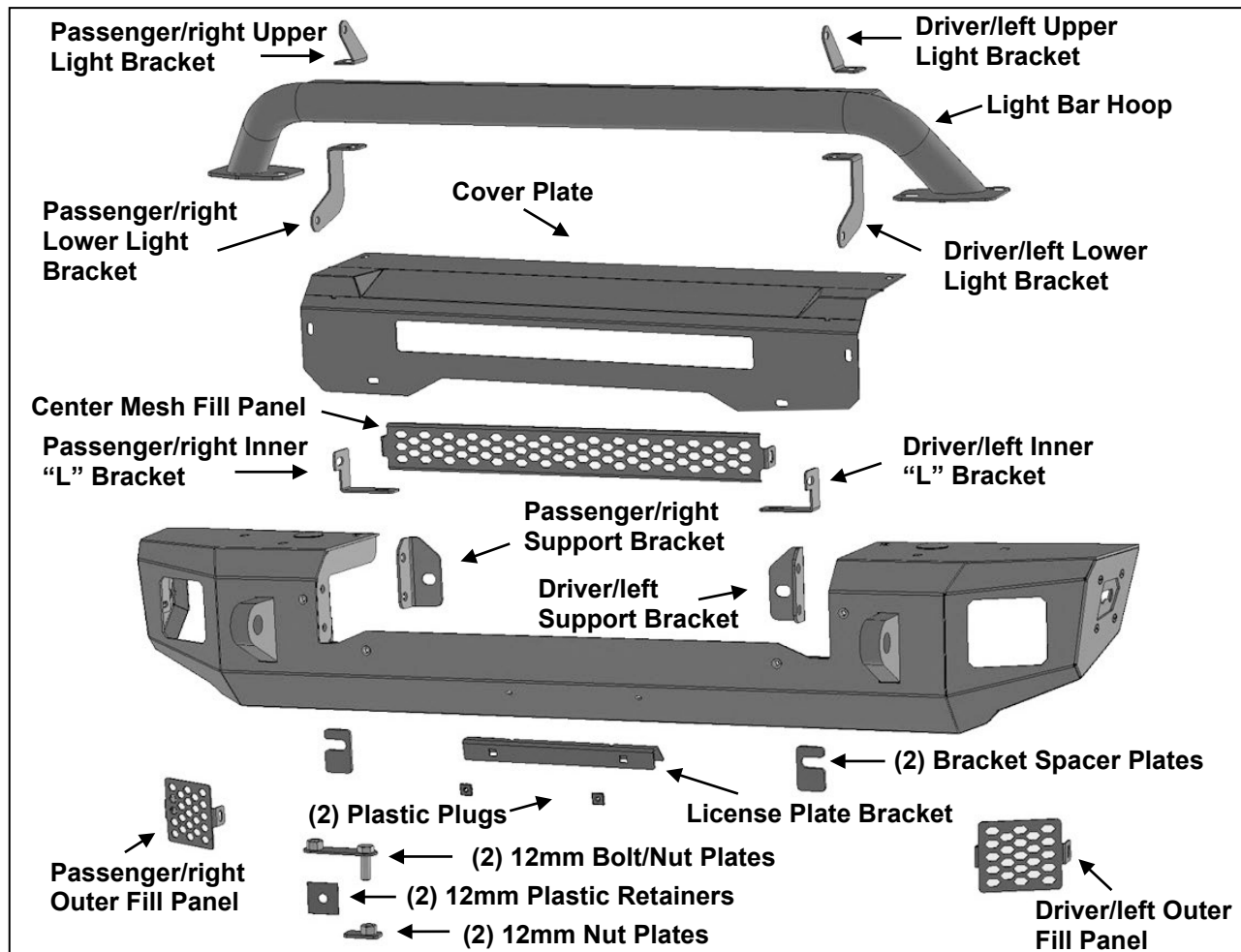


PARTS LIST: J195713 J195714

1	Front Bumper Assembly	2	12mm Nut Plate
1	Cover Plate	6	12mm x 40mm Hex Bolts
1	Light Bar Hoop	10	12mm x 37mm x 3mm Flat Washers
1	Center Fill Panel	8	12mm Lock Washers
1	Driver/left Outer Fill Panel	4	12mm Hex Nuts
1	Passenger/right Outer Fill Panel	4	10mm x 30mm Hex Bolts
1	Driver/left Bumper Support Bracket	4	10mm x 20mm x 2mm Flat Washers
1	Passenger/right Bumper Support Bracket	4	10mm Lock Washers
1	Driver/left Upper "L" Light Bracket	4	8-1.25mm x 25mm Button Head Bolts
1	Passenger/right Upper "L" Light Bracket	6	8-1.25mm x 25mm Hex Bolts
1	Driver/left Lower "L" Light Bracket	4	8-1.25mm x 16mm Hex Bolts
1	Passenger/right Lower "L" Light Bracket	20	8mm x 24mm x 2mm Flat Washers
1	Driver/left Inner "L" Light Bracket	14	8mm Lock Washers
1	Passenger/right Inner "L" Light Bracket	6	8mm Hex Nuts
1	License Plate Bracket	4	8mm Flange Nuts
2	Plastic Plugs	12	6mm x 20mm Button Head Combo Bolts
2	Bracket Spacer Plates	6	6mm Flange Nuts
2	12mm Plastic Retainers	1	5mm Wrench
2	12mm Bolt/12mm Nut Plates	1	4mm Wrench



PROCEDURE:

REMOVE CONTENTS FROM BOX. VERIFY ALL PARTS ARE PRESENT. READ INSTRUCTIONS CAREFULLY BEFORE STARTING INSTALLATION. CUTTING/DRILLING MAY BE REQUIRED. ASSISTANCE IS RECOMMENDED.

1. Start under the front bumper of the vehicle and remove the plastic lower splash guard or skid plate, **(Figure 1)**. **NOTE:** Splash guard or skid plate cannot be reinstalled.
2. On models with factory fog lights, unplug wiring harness leading to the bumper.
3. With assistance, remove the front bumper hardware and bumper, **(Figures 2—4)**. Move the factory bumper to a stable surface.
4. Carefully unwrap the HD3 Bumper and Light Bar Hoop. Select the Light Bar Hoop. Attach the Hoop to the top of the Bumper with the included (4) 8mm x 25mm Button Head Bolts, (4) 8mm Lock Washers, (4) 8mm Flat Washers and (4) 8mm Flange Nuts, **(Figure 5)**. Tighten hardware.
5. Select (1) 12mm Bolt/Nut Plate and (1) 12mm Plastic Retainer. Insert the Bolt/Nut Plate into the outer mounting holes in the inner bumper bracket welded to the back of the Bumper, **(Figure 6)**. Thread the Plastic Retainer onto the “Bolt” in the Bolt/Nut Plate to hold the Bolt/Nut Plate in position on the Bumper, **(Figure 7)**. Repeat this **Step** to install the remaining 12mm Bolt/Nut Plate on the passenger/right side of the Bumper.
6. With assistance, hold the Bumper up to the end of the frame. Line up the Bolt/Nut Plates in the Bumper with the top outer mounting holes in the bumper mounting plates on the end of the frame. Attach the Bolt/Nut Plates to the frame with (2) 12mm Flat Washers, (2) 12mm Lock Washers and (2) 12mm Hex Nuts, **(Figure 8)**. Leave hardware loose at this time.
7. Rotate each Bolt on the (2) Bolt/Nut Plates to line up the Nut with the bottom mounting hole in the Bumper and bumper bracket on the frame. Attach the “Nut” on the Bolt/Nut Plate to the frame with the included (2) 12mm x 40mm Hex Bolts, (2) 12mm Lock Washers and (2) 12mm Flat Washers, **(Figures 8—10)**. Do not fully tighten hardware at this time.
8. Select the driver/left Support Bracket, **(Figure 11)**. Attach the Support Bracket to the inner side of the Bumper with the included (2) 10mm x 30mm Hex Bolts, (2) 10mm Lock Washers and (2) 10mm Flat Washers, **(Figure 12)**. Repeat this **Step** to attach the passenger/right Support Bracket.
9. Attach the driver/left Support Bracket to the end of the frame with the included (1) 12mm x 40mm Hex Bolt, (2) 12mm Flat Washers, (1) 12mm Lock Washer and (1) 12mm Hex Nut, **(Figures 13, 14A & 14B)**. **IMPORTANT:** On some JK model years, the **top inner mounting holes** in the frame brackets may require drilling to clear the 12mm Hex Bolt. Use a 1/2” drill bit to open up the mounting holes for the 12mm hardware. Do not fully tighten hardware at this time.
10. Next, select (1) Spacer Plate. Insert the Spacer Plate between the frame and the inner lower mounting tab on the back of the Bumper, **(Figures 14A & 14B)**. Hold (1) 12mm Nut Plate up to the inside of the mounting tab. From the back of the mounting plate on the frame, insert (1) 12mm x 40mm Hex Bolt, (1) 12mm Lock Washer and (1) 12mm Flat Washer through the mount on the frame, the Spacer Plate and into the Nut Plate, **(Figures 14A & 14B)**. Do not fully tighten hardware at this time.
11. Repeat **Steps 9 & 10** to attach the passenger/right side of the Bumper to the frame and Support Bracket.
12. Align and adjust the Bumper to the vehicle as required and fully tighten all hardware.
13. Determine if accessory lights, (not included), or Screen Fill Panels will be installed at this time.

Outer Screen Fill Panel Installation (do not install fill panels if installing lights).

- a. Attach (1) Screen Fill Panel to the tabs on the back of the driver/left side of the Bumper with the included (2) 6mm Button Head Combo Bolts and (2) 6mm Flange Nuts, **(Figure 15)**. Fully tighten Fill Panel hardware at this time. Repeat this **Step** to install the remaining Fill Panel on the passenger/right side of the Bumper.

Outer LED cube style light installation, (lights not included).

- a. Attach lights to the mounting tabs at the top of the opening in the Bumper, **(Figure 15)**.
- b. Follow the light manufacturer’s instruction to properly wire lights once Bumper is installed.

Inner Mesh Fill Panel installation (do not install fill panel if installing light).

- a. Select the driver/left “L” Inner Light Bar Bracket, **(Figure 16)**. Attach the “L” Bracket to the slot on the back of the Bumper with (1) 8mm x 25mm Hex Bolt, (2) 8mm Flat Washers, (1) 8mm Lock Washer and (1) 8mm Hex Nut, **(Figure 16)**. Repeat this **Step** to install the remaining “L” Bracket on the passenger/right side of the Bumper.

- b. Attach the Fill Panel to the “L” Brackets with the included (2) 8mm x 25mm Hex Bolts, (4) 8mm Flat Washers, (2) 8mm Lock Washers and (2) 8mm Hex Nuts, **(Figure 17 & 18)**. Do not fully tighten hardware at this time.
- c. Place Cover Plate in position on top of the Bumper, **(Figure 20)**. Attach Cover to Bumper with the included (6) 6mm Button Head Combo Bolts.
- d. Push Mesh Fill Panel up against back of Cover
- e. Adjust the Fill Panel to the Cover and fully tighten all hardware.

Inner center LED bar style light installation (light not included).

- a. Select the driver/left “L” Inner Light Bar Bracket, **(Figure 16)**. Attach the “L” Bracket to the slot on the back of the Bumper with (1) 8mm x 25mm Hex Bolt, (2) 8mm Flat Washers, (1) 8mm Lock Washer and (1) 8mm Hex Nut, **(Figure 16)**. Repeat this **Step** to install the remaining “L” Bracket on the passenger/right side of the Bumper.
 - b. Attach bar style light to Brackets with included (2) 8mm x 16mm Hex Bolts, (2) 8mm Lock Washers and (2) 8mm Flat Washers, **(Figure 19)**.
 - c. Place Cover Plate in position on top of the Bumper, **(Figure 20)**. Attach Cover to Bumper with the included (6) 6mm Button Head Combo Bolts.
 - d. Adjust the light to the Cover and fully tighten all hardware.
- 14.** Determine if accessory lights, (not included), will be installed on the Bull Nose Hoop at this time. **NOTE:** Bull Nose assembly is designed to be compatible with most Bar Style LED lights, individual cube lights or any individual accessory light with a maximum of 8mm or 5/16” mounting hardware. Modifying the Bull Nose assembly for hardware larger than 8mm (5/16”) will damage the finish and is not recommended.

LED bar style light installation below bar (light not included).

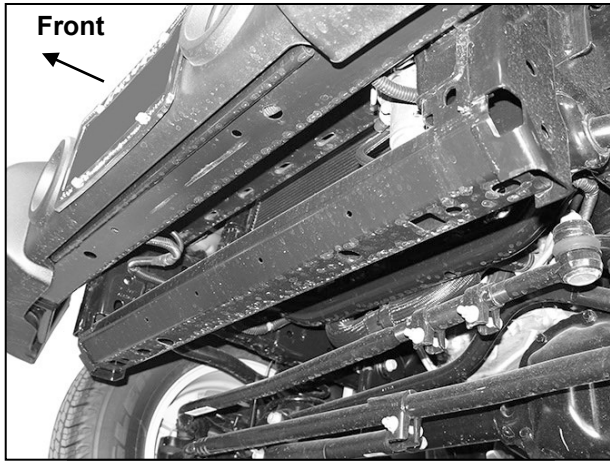
- a. Measure mounting slot width on Bull Nose Hoop before purchasing light to verify fitment.
- b. Select the driver/left Lower “L” Light Bar Bracket, **(Figure 21)**.
- c. Attach the “L” Bracket to the slot on the back of the Bull Nose assembly with (1) 8mm x 25mm Hex Bolt, (2) 8mm Flat Washers, (1) 8mm Lock Washer and (1) 8mm Hex Nut, **(Figure 21)**. Repeat this **Step** to install the remaining “L” Bracket.
- d. Attach the light to the “L” Brackets with the included (2) 8mm x 16mm Hex Bolts, (2) 8mm Lock Washers and (2) 8mm Flat Washers or use the hardware included with the light, **(Figure 21)**. Do not fully tighten hardware at this time.

LED bar style light installation above bar (light not included).

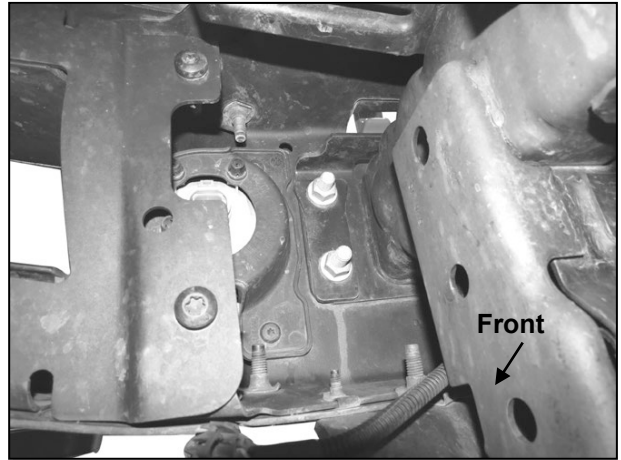
- a. Measure mounting slot width on Bull Nose Hoop before purchasing light to verify fitment.
 - b. Select the driver/left Upper “L” Light Bar Bracket, **(Figure 22)**.
 - c. Attach the “L” Bracket to the slot on the back of the Bull Nose assembly with (1) 8mm x 25mm Hex Bolt, (2) 8mm Flat Washers, (1) 8mm Lock Washer and (1) 8mm Hex Nut, **(Figure 22)**. Repeat this **Step** to install the remaining “L” Bracket.
 - d. Attach the light to the “L” Brackets with the included (2) 8mm x 16mm Hex Bolts, (2) 8mm Lock Washers and (2) 8mm Flat Washers or use the hardware included with the light, **(Figure 22)**. Do not fully tighten hardware at this time.
- 15.** On models requiring front license plate, attach License Plate Bracket to front of Bumper with the included (2) 6mm Button Head Combo Bolts and (2) 6mm Flange Nuts, **(Figure 23)**. Push the included (2) Plastic Plugs into the square holes in the Bracket.
- 16.** Do periodic inspections of the installation to make sure that all hardware is secure and tight.

To protect your investment, Do not use any type of polish or wax that may contain abrasives that could damage the finish. Mild soap may be used to clean the Front Bumper.

Driver/left Side Installation Pictured



(Fig 1) Remove plastic splash guard or skid plate from bottom of bumper



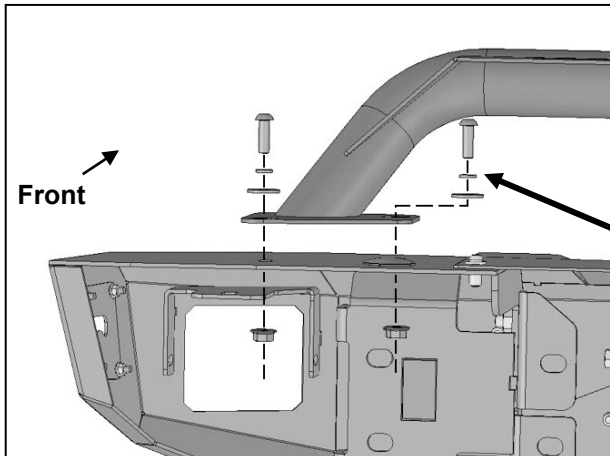
(Fig 2) Remove front bumper assembly (driver side JK outer bumper bolts pictured)



(Fig 3) Front Bumper and splash guard removed from 2007-18 JK model pictured



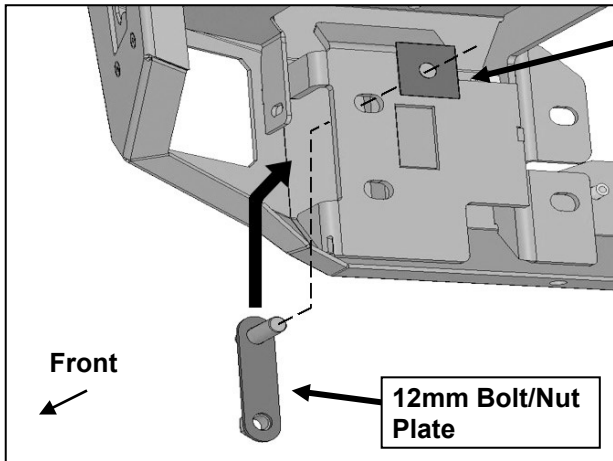
(Fig 4) Front Bumper and splash guard removed from 2018-on JL model pictured



- (2) 8mm x 25mm Button Head Bolts
- (2) 8mm Lock Washers
- (2) 8mm Flat Washers
- (2) 8mm Flange Nuts

(Fig 5) Attach Light Bar Hoop to top of Bumper

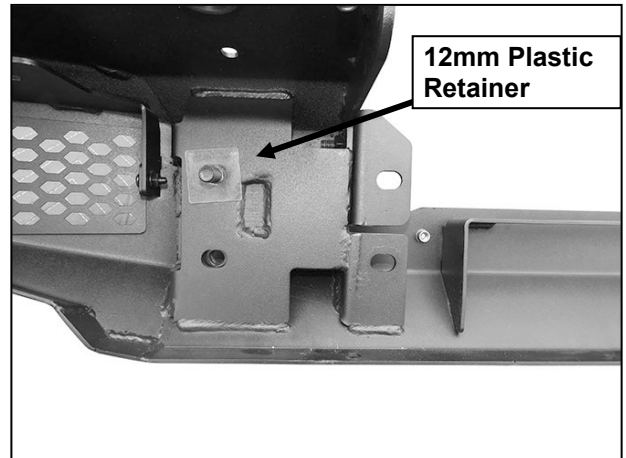
Driver/left Side Installation Pictured



12mm Plastic Retainer

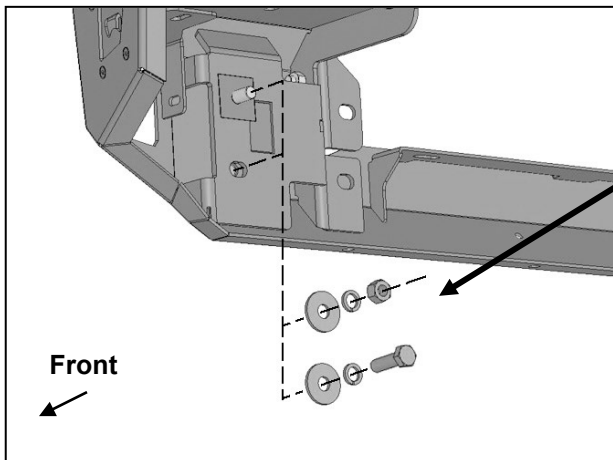
12mm Bolt/Nut Plate

(Fig 6) Insert the 12mm Bolt/Nut Plate into opening in back of Bumper bracket. Push Bolt out through outer top mounting hole.



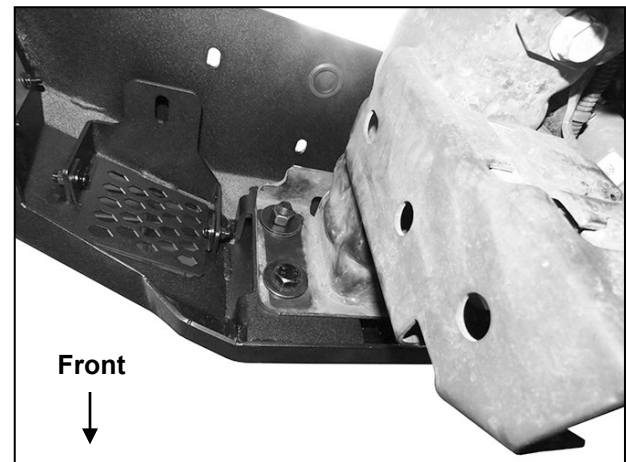
12mm Plastic Retainer

(Fig 7) 12mm Bolt/Nut Plate installed on back of driver/left side of Bumper. Thread Plastic Retainer onto Bolt Plate

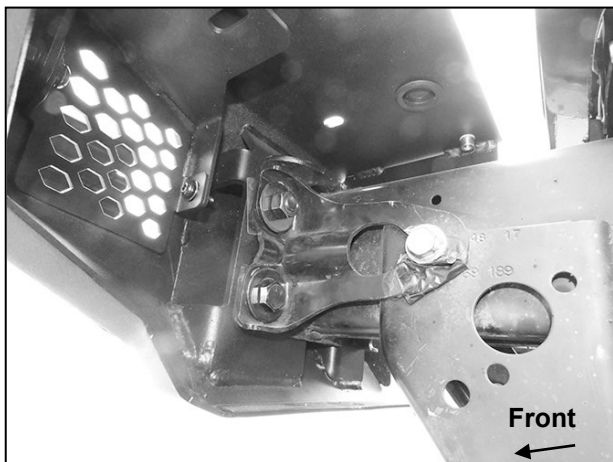


- (2) 12mm Flat Washers
- (2) 12mm Lock Washers
- (1) 12mm Hex Nut
- (1) 12mm x 40mm Hex Bolt

(Fig 8) Attach Bumper with Bolt/Nut Plates to end of frame (driver/left side illustrated)

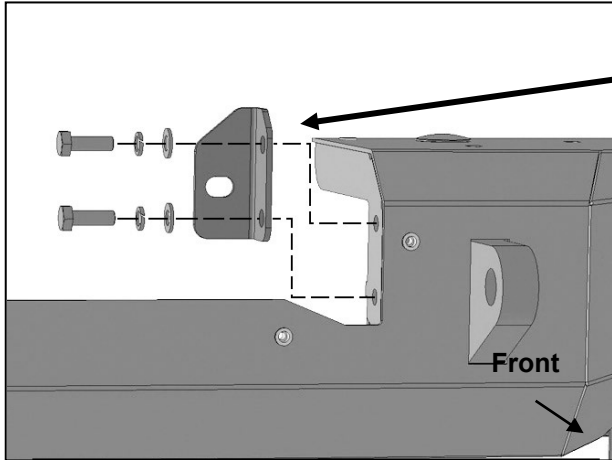


(Fig 9) Driver/left side of JK model pictured



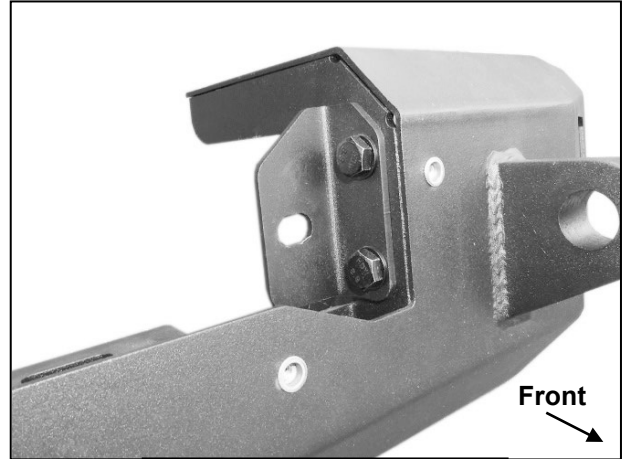
(Fig 10) Driver/left side of JL/JT model pictured

Driver/left Side Installation Pictured



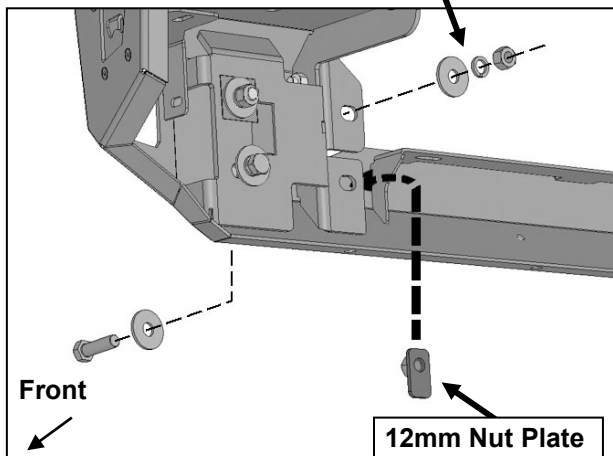
- (2) 10mm x 30mm Hex Bolts
- (2) 10mm Lock Washers
- (2) 10mm Flat Washers

(Fig 11) Attach driver/left Bumper Support Bracket to inside of opening in Bumper



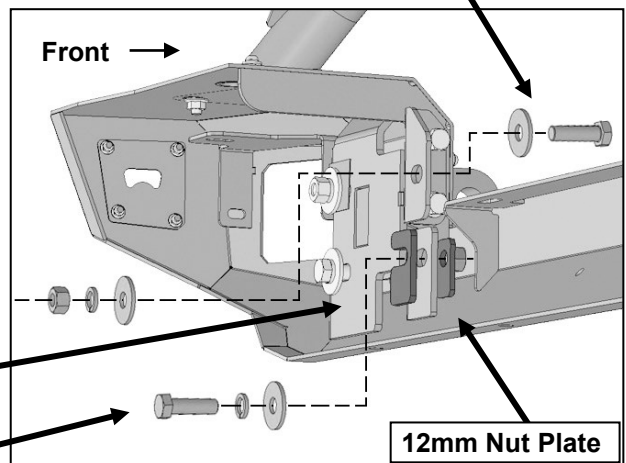
(Fig 12) Driver/left Bumper Support Bracket installed

- 12mm x 40mm Hex Bolt
- (2) 12mm Flat Washers
- 12mm Lock Washer
- 12mm Hex Nut



(Fig 13) Attach driver/left Support Bracket on Bumper to frame. Insert 12mm Nut Plate into back of mounting tab on Bumper

- 12mm x 40mm Hex Bolt
- (2) 12mm Flat Washers
- 12mm Lock Washer
- 12mm Hex Nut



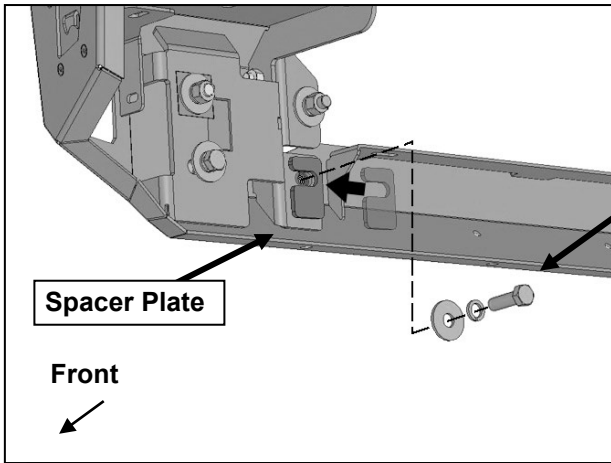
Spacer Plate

- 12mm x 40mm Hex Bolt
- 12mm Lock Washer
- 12mm Flat Washer

12mm Nut Plate

(Fig 14A) Slide Bracket Spacer Plate between frame and lower tab on Bumper.

Driver/left Side Installation Pictured

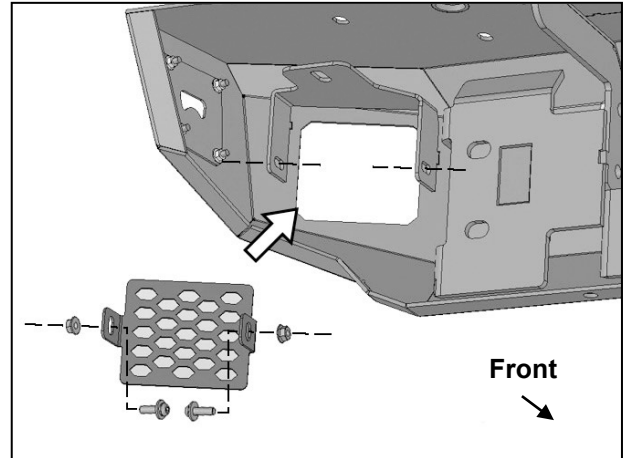


12mm x 40mm Hex Bolt
12mm Lock Washer
12mm Flat Washer

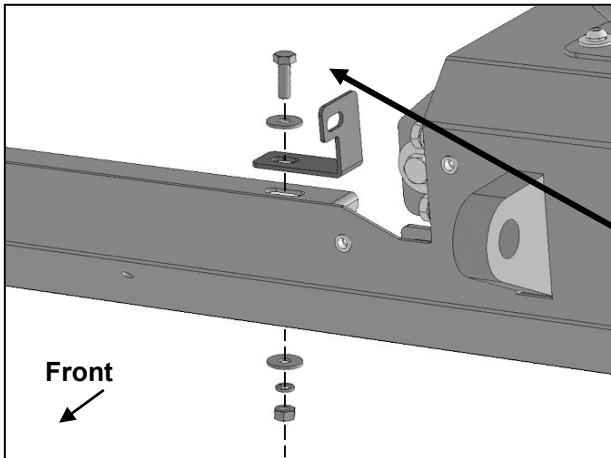
Spacer Plate

Front

(Fig 14B) Slide Bracket Spacer Plate between frame and lower tab on Bumper.



(Fig 15) Attach the Outer Mesh Panels to the tabs on the back of the Bumper

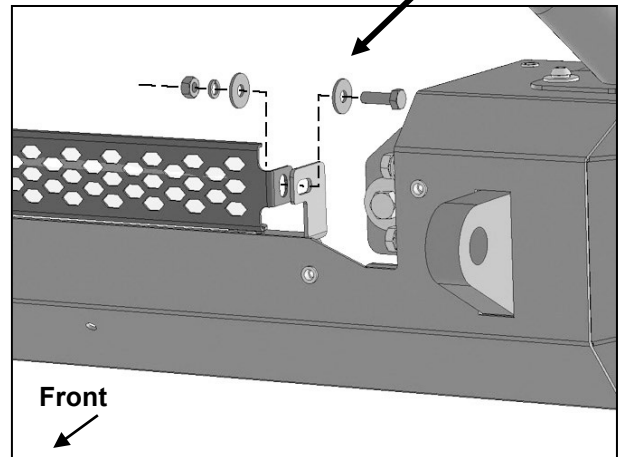


8mm x 25mm Hex Bolts
(2) 8mm Flat Washers
8mm Flat Washer
8mm Hex Nut

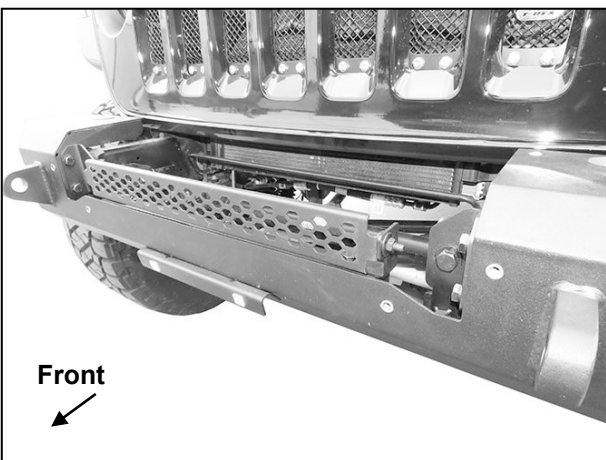
8mm x 25mm Hex Bolt
(2) 8mm Flat Washers
8mm Lock Washer
8mm Hex Nut

Front

(Fig 16) Attach driver/left Inner "L" Bracket to slot on back of Bumper



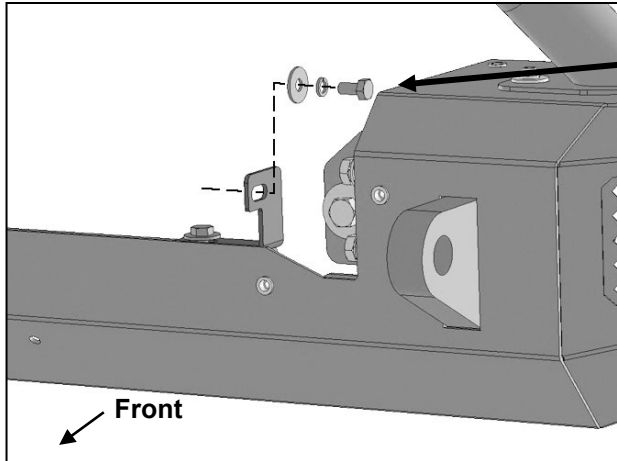
(Fig 17) Attach Center Fill Panel to driver/left Inner "L" Bracket



Front

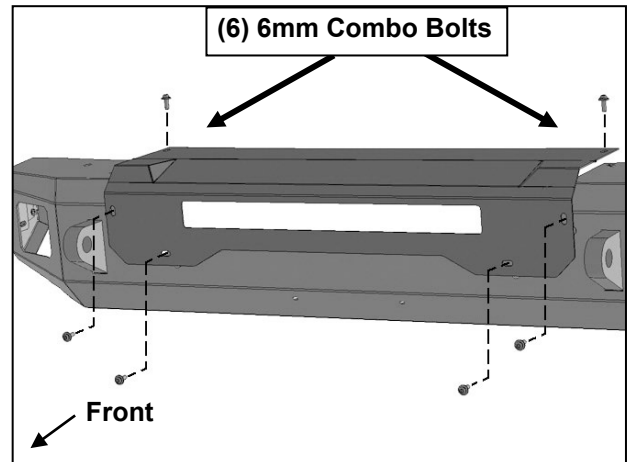
(Fig 18) Center Fill Panel installed

Driver/left Side Installation Pictured



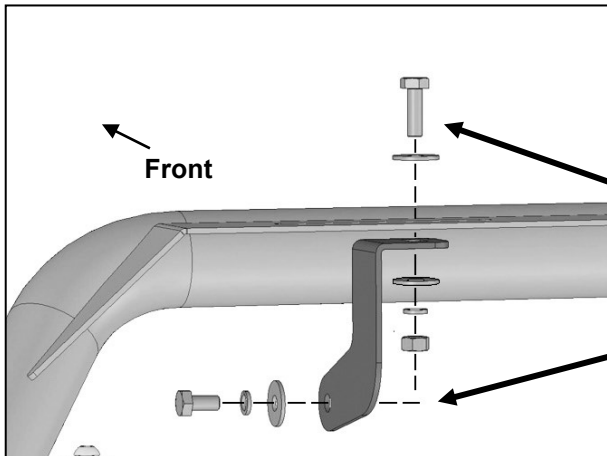
- 8mm x 16mm Hex Bolt
- 8mm Lock Washer
- 8mm Flat Washer

(Fig 19) Attach bar style LED light to Inner "L" Brackets (light not included)



- (6) 6mm Combo Bolts

(Fig 20) Attach Cover Panel to top of Bumper

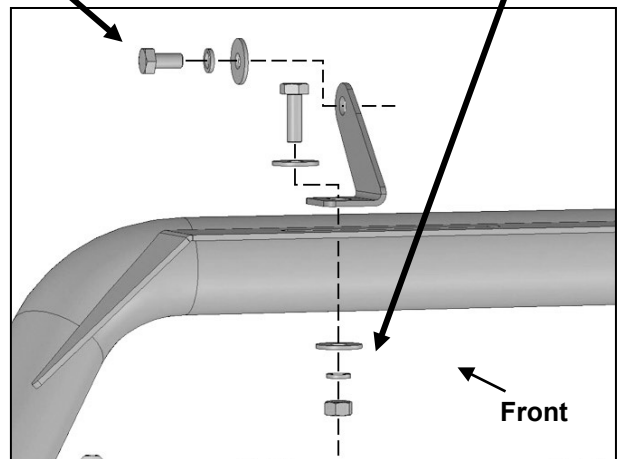


- 8mm x 25mm Hex Bolt
- (2) 8mm Flat Washers
- 8mm Lock Washer
- 8mm Hex Nut

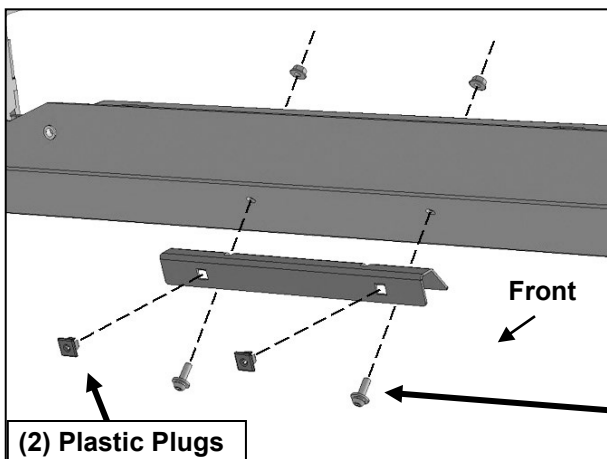
- 8mm x 16mm Hex Bolt
- 8mm Lock Washer
- 8mm Flat Washer

- 8mm x 25mm Hex Bolt
- (2) 8mm Flat Washers
- 8mm Lock Washer
- 8mm Hex Nut

(Fig 21) Attach Lower "L" Light Brackets to bottom of Bull Nose Hoop assembly



(Fig 22) Attach Upper "L" Light Brackets to top of Bull Nose Hoop assembly



- (2) Plastic Plugs

- (2) 6mm Combo Bolts
- (2) 6mm Flange Nuts

(Fig 23) Attach License Plate Bracket to the front of the Bumper