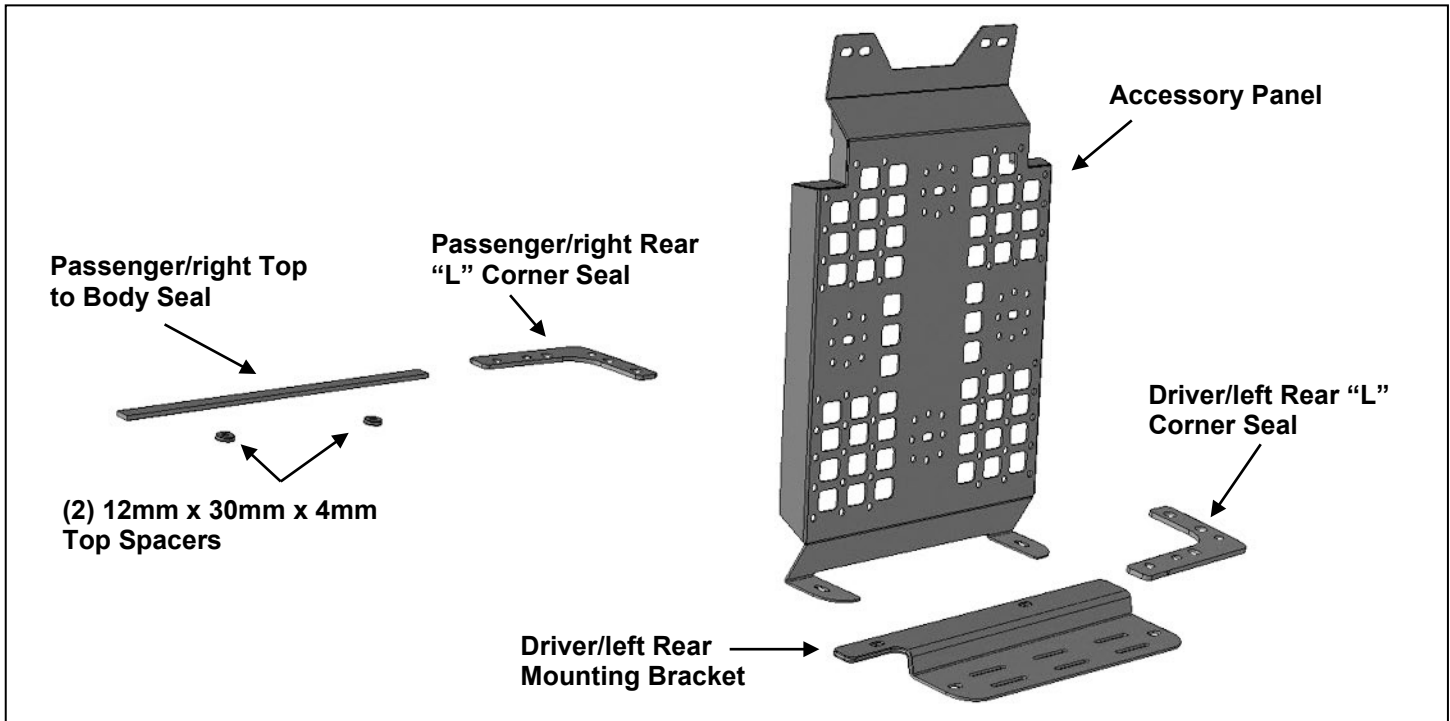


PARTS LIST: J193887

1	Accessory Side Panel	2	12mm x 30mm x 4mm Spacer Washers
1	Driver/left Mounting Bracket	6	10-1.50mm x 30mm Button Head Bolts
1	Driver/Left Rear "L" Foam Seal	12	10mm x 30mm x 2.5mm Flat Washers
1	Passenger/Right Rear "L" Foam Seal	6	10mm Nylon Lock Nuts
1	Passenger/Right Top to Body Foam Seal	1	6mm Wrench



PROCEDURE:

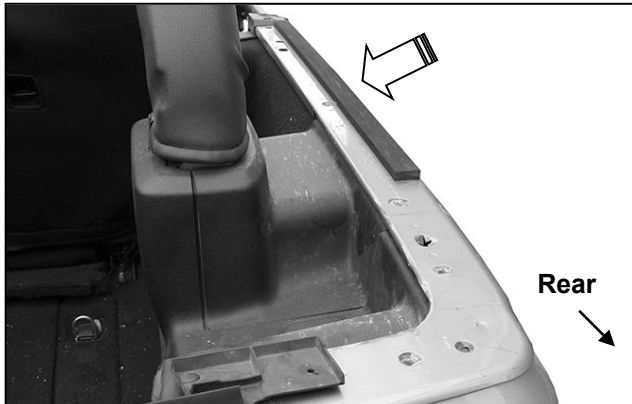
REMOVE CONTENTS FROM BOX. VERIFY ALL PARTS ARE PRESENT. READ INSTRUCTIONS CAREFULLY. ASSISTANCE IS REQUIRED.

1. Start installation by removing the roof panels and hard top assembly. See owner's manual for instructions to remove the roof panels and top.
2. Move to the passenger/right rear of the vehicle. Remove the factory seal from the top of the body, **(Figure 1)**. Clean surface with isopropyl alcohol, (not included). Select the passenger/right Rear "L" Foam Corner Seal, **(Figure 2)**. Apply the Seal to the rear corner of the body. Line up the holes in the Foam Seal with the mounting holes in the body, **(Figure 3)**.
3. Next, select the long top to body Foam Seal, **(Figure 2)**. Line up the Foam Seal against the previously installed Corner Seal and along body in same location as factory seal, **(Figure 3)**. Trim as required.
4. Move to the driver/left side of the vehicle. Repeat **Step 2** to install the driver/left Rear "L" Foam Corner Seal, **(Figure 5)**.
5. Reinstall hardtop and top panels. **IMPORTANT:** before reinstalling top, place the included (2) 12mm x 30mm x 4mm Spacer Washers over the threaded holes in passenger/right side of the body, between the top and the body, **(Figures 2 & 4)**. Insert the factory roof bolts down through the passenger/right side of the top, through the Spacers and into the body to support the top.
6. Lift up the driver/left side of the top. Insert the Bottom Mounting Bracket between the top and the body, **(Figure 6)**. Insert the top mounting bolts down through the top, through the Bracket and into the body. Do not fully tighten top hardware at this time.
7. Select the PS Rack Accessory Panel. Insert the top of the panel behind the side panel on the rack, **(Figure 7)**. Attach the top of the Panel to the rack with the included (4) 10mm x 30mm Button Head Bolts, (8) 10mm Flat Washers and (4) 10mm Nylon Lock Nuts. Leave hardware loose.

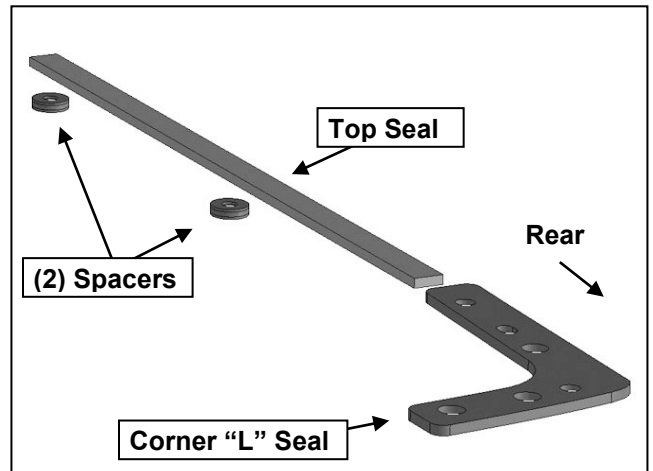
8. Attach the bottom of the Panel to the top of the Bracket with the included (2) 10mm x 30mm Button Head Bolts, (4) 10mm Flat Washers and (2) 10mm Nylon Lock Nuts, **(Figure 8)**. Leave hardware loose.
9. Align the top to the vehicle and fully tighten all top hardware first, then tighten the Accessory Panel hardware.
10. Do periodic inspections to the installation to make sure that all hardware is secure and tight.

To protect your investment, Do not use any type of polish or wax that may contain abrasives that could damage the finish. Mild soap may be used to clean the Accessory Panel.

Passenger/right Side Installation Pictured



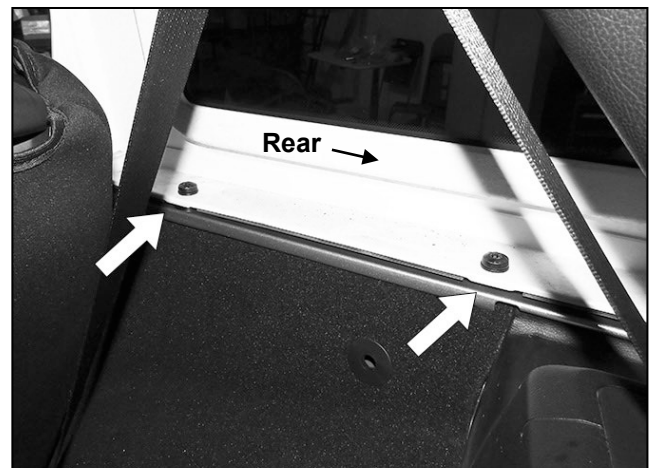
(Fig 1) Passenger/right rear mounting location. Remove side to top seal (arrow)



(Fig 2) Attach passenger/right rear Corner "L" Seal and longer Top Seal to top of body

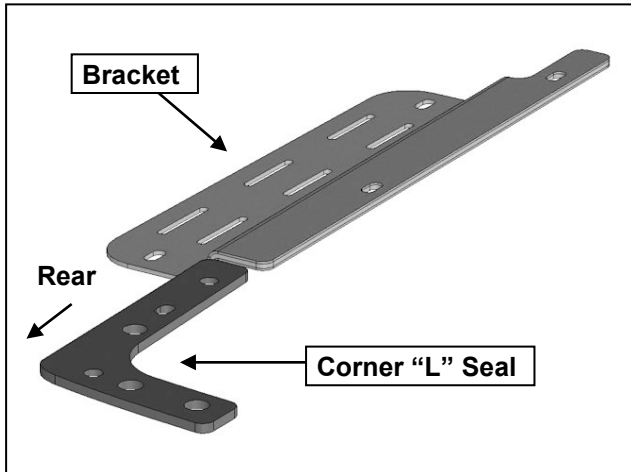


(Fig 3) Passenger/right Top and Corner Seal installed



(Fig 4) Insert (2) Spacer Washers between top and body (arrows), over mounting holes (Fig 2)

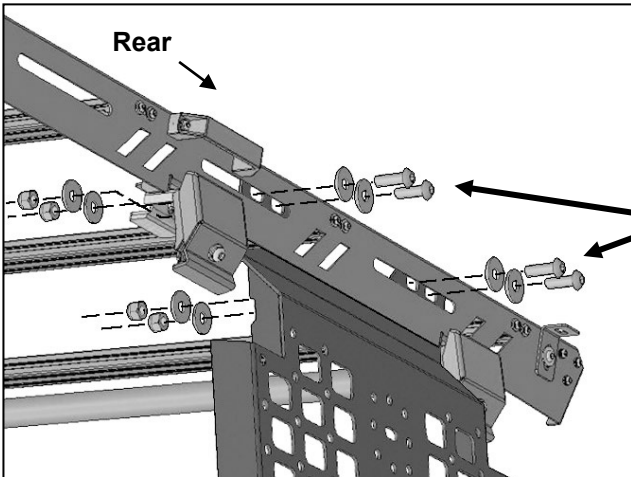
Driver/left Side Installation Pictured



(Fig 5) Attach driver/left rear Corner "L" Seal to top of body. Insert Bracket between top and



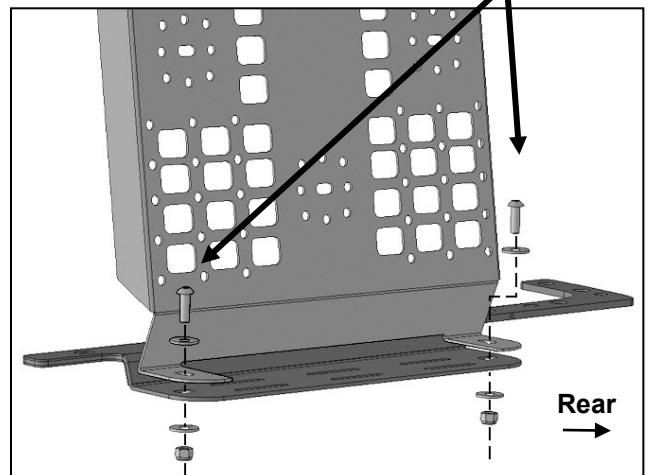
(Fig 6) Reinstall top with Bracket between top and body



(Fig 7) Attach top of Accessory Panel to back of Side Panel on Rack

- (4) 10mm x 30mm Button Head Bolts
- (8) 10mm Flat Washers
- (4) 10mm Nylon Lock Nuts

- (2) 10mm x 30mm Button Head Bolts
- (4) 10mm Flat Washers
- (2) 10mm Nylon Lock Nuts



(Fig 8) Attach bottom of Accessory Panel to top of Mounting Bracket

