

INSTALLATION INSTRUCTIONS

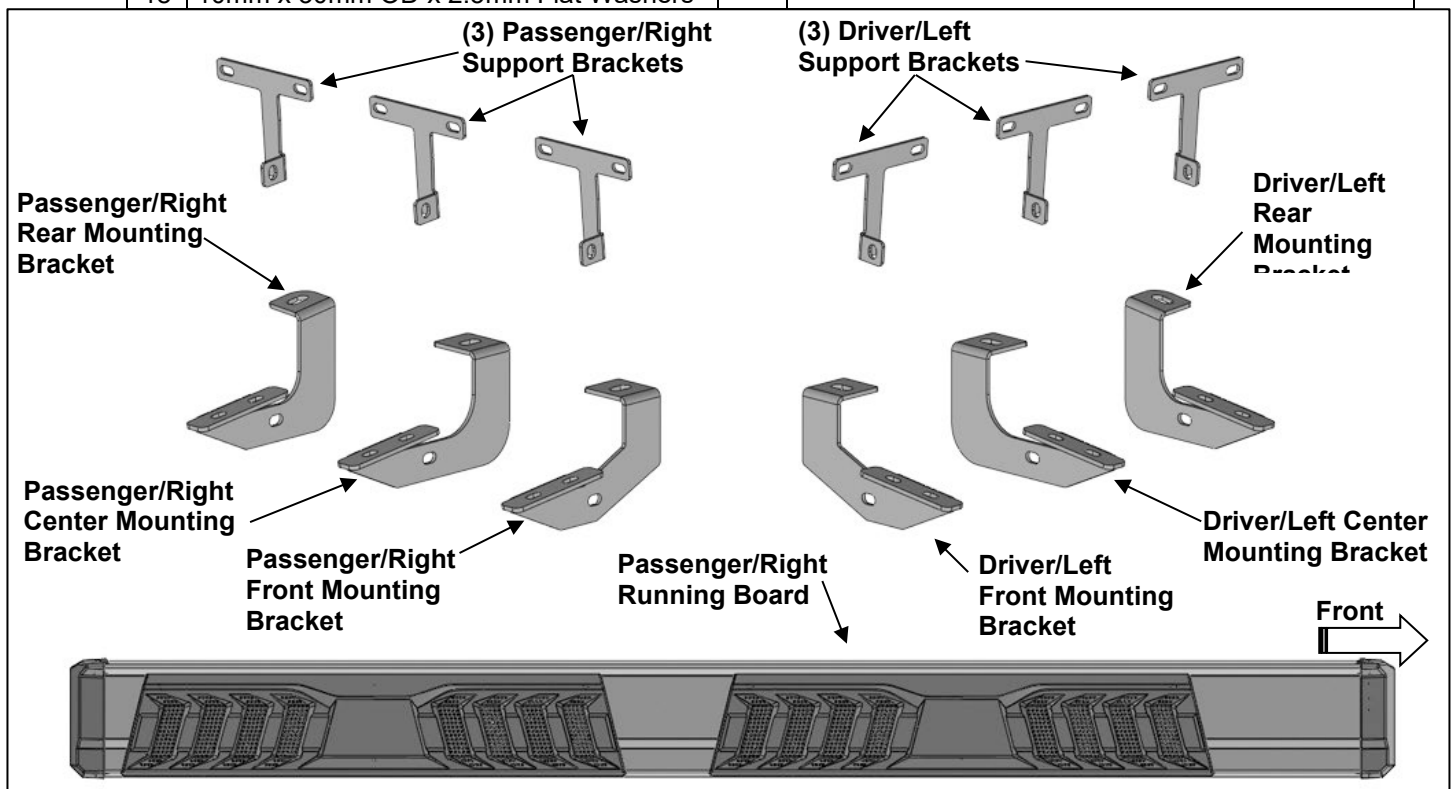
S6 RUNNING BOARDS

2007-18 JEEP WRANGLER JK 4 DOOR

J178881

PARTS LIST:

1	Driver/Left S6 Running Board	12	10mm Lock Washers
1	Passenger/Right S6 Running Board	6	10mm Hex Nuts
1	Driver/Left Front Mounting Bracket	6	10mm Nut Plates
1	Passenger/Right Front Mounting Bracket	6	8mm x 35mm Double Bolt Plates
1	Driver/Left Center Mounting Bracket	6	8mm x 35mm Hex Bolts
1	Passenger/Right Center Mounting Bracket	6	8mm x 28mm OD x 3mm Flat Washers
1	Driver/Left Rear Mounting Bracket	12	8mm x 24mm OD x 2mm Flat Washers
1	Passenger/Right Rear Mounting Bracket	6	8mm Lock Washers
3	Driver/Left Support Brackets	12	8mm Nylon Lock Nuts
3	Passenger/Right Support Brackets	12	6mm x 25mm Hex Bolts
6	10mm x 35mm Hex Bolts	24	6mm x 22mm OD x 2mm Flat Washers
6	10mm x 30mm Hex Bolts	12	6mm Nylon Lock Nuts
18	10mm x 30mm OD x 2.5mm Flat Washers		



PROCEDURE:

- REMOVE CONTENTS FROM BOX. VERIFY ALL PARTS ARE PRESENT. READ INSTRUCTIONS CAREFULLY. FACTORY INSTALLED OR AFTERMARKET PRODUCT MUST BE REMOVED.**
- Start installation toward the front of the Passenger/Right side of the vehicle, **(Figure 1)**.
- Determine if vehicle is equipped with threaded mounting inserts**

Vehicles without threaded inserts:

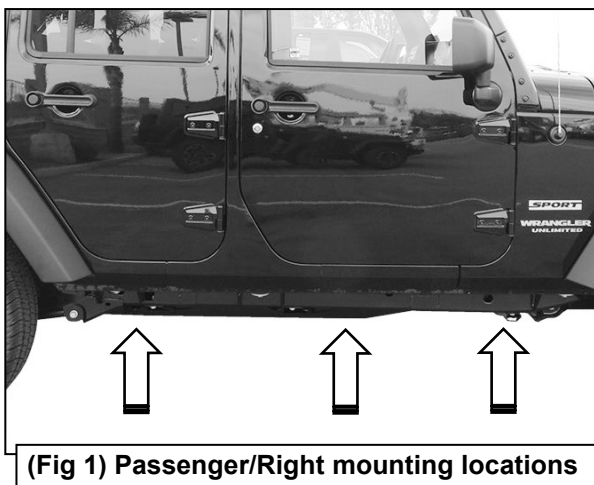
 - Insert (1) 10mm Nut Plate into the large square opening in the floor panel. Line up the threaded nut with the hole in between the pair of holes on the pinch weld, **(Figures 2A & 2B)**.
 - Select the Passenger/Right Front Mounting Bracket.
 - Attach the Bracket to the Nut Plate with (1) 10mm x 35mm Hex Bolt, (1) 10mm Lock Washer and (1) 10mm Flat Washer, **(Figure 3)**. Do not tighten hardware.

Vehicles with factory threaded hole in floor panel:

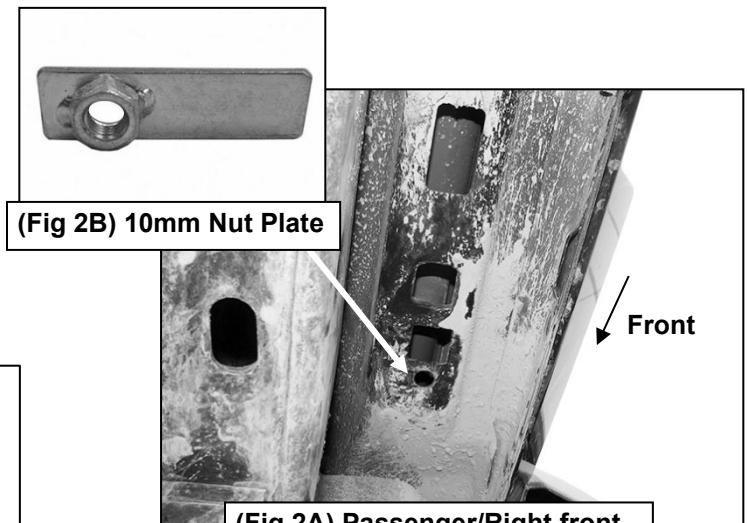
 - Locate the front, center and rear mounting locations, **(Figure 1)**.
 - Select the Passenger/Right Front Mounting Bracket.

- c. Attach the Bracket to the front mounting location with (1) 8mm Hex Bolt, (1) 8mm Lock Washer and (1) 8mm Flat Washer, **(Figure 4)**. Do not tighten hardware.
 4. Select (1) Passenger/Right Support Bracket. Attach the Support Bracket to the pinch weld with (2) 6mm Hex Bolts, (4) 6mm Flat Washers and (2) 6mm Nylon Lock Nuts, **(Figure 5)**. Attach the Support Bracket to the Mounting Bracket with (1) 10mm x 30mm Hex Bolt, (2) 10mm Flat Washers and (1) 10mm Nylon Lock Nuts, **(Figure 6)**. Do not tighten hardware.
 5. Repeat **Steps 3 & 4** to attach the Passenger/Right Mounting Brackets and Support Brackets to the center and rear locations, **(Figures 7A, 7B & 8)**. Do not tighten hardware.
 6. Unwrap the Passenger/Right S6 Running Board. Select (3) 8mm Double Bolt Plates. Insert the Bolt Plates into the channel in the bottom of the Running Board, **(Figure 9)**.
 7. Place the Running Board on top of the (3) Mounting Brackets. Lift the Running Board up and guide the studs down through the Brackets. **IMPORTANT:** Do not slide the Running Board on the Brackets, (front to back), or the finish on the Running Board may be damaged.
 8. Attach the Running Board to the Brackets with (6) 8mm Flat Washers and (6) 8mm Nylon Lock Nuts, **(Figure 9)**. Do not tighten hardware.
 9. Level and adjust the Running Board and tighten all hardware.
 10. Repeat **Steps 1—9** to attach the Driver/Left Running Board.
 11. Do periodic inspections to the installation to make sure that all hardware is secure and tight.
- To protect your investment,** Do not use any type of polish or wax that may contain abrasives that could damage the finish. Mild soap may be used to clean the Running Boards.

Passenger/Right Side Installation Pictured

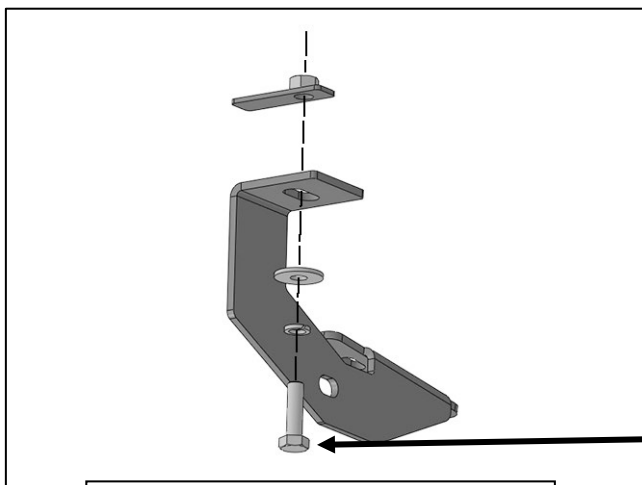


(Fig 1) Passenger/Right mounting locations



(Fig 2B) 10mm Nut Plate

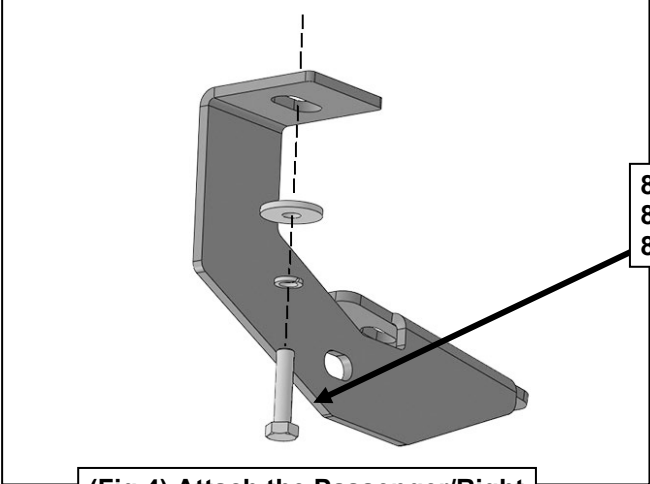
(Fig 2A) Passenger/Right front mounting location (Models without threaded insert shown)



(Fig 3) Attach the Passenger/Right Front Mounting Bracket to the Nut Plate in the front location

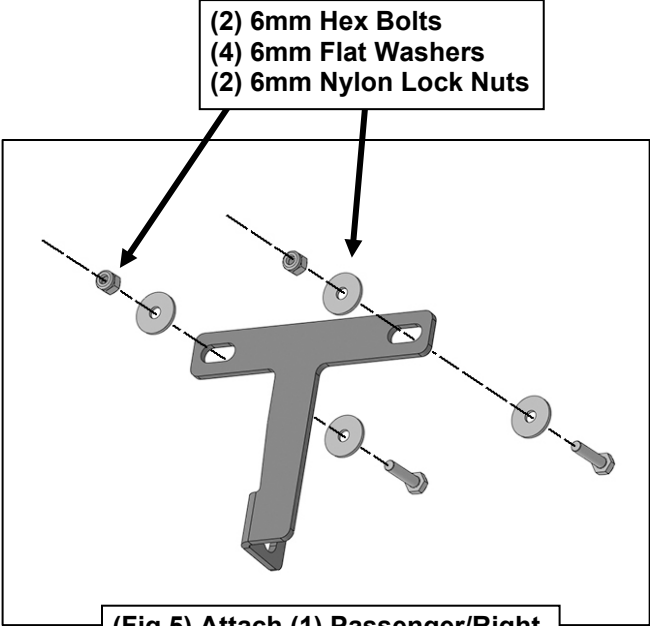
- 10mm x 35mm Hex Bolt
- 10mm Lock Washer
- 10mm Flat Washer
- 10mm Nut Plate

Passenger/Right Side Installation Pictured



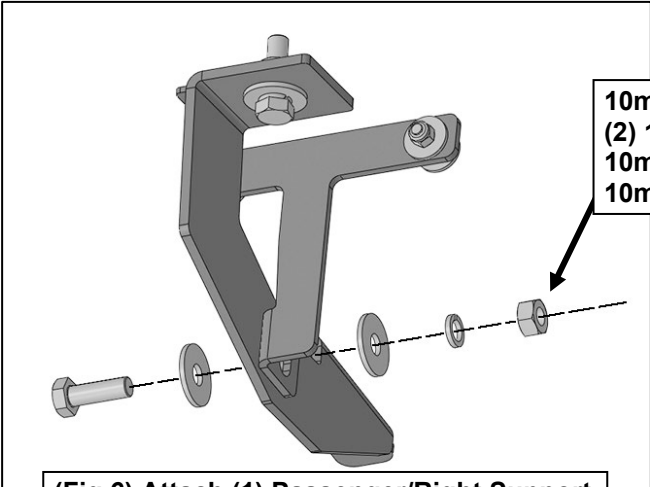
8mm Hex Bolt
8mm Lock Washer
8mm x 28mm Flat Washer

(Fig 4) Attach the Passenger/Right Front Mounting Bracket to the threaded hole in the front location



(2) 6mm Hex Bolts
(4) 6mm Flat Washers
(2) 6mm Nylon Lock Nuts

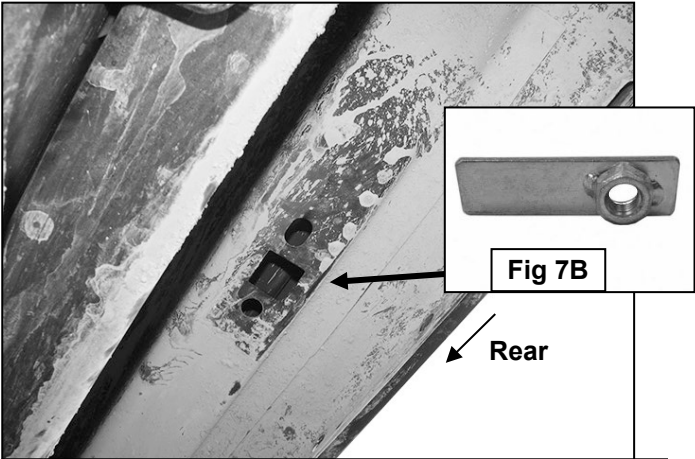
(Fig 5) Attach (1) Passenger/Right Support Bracket to the (2) holes in the pinch trim in the front location



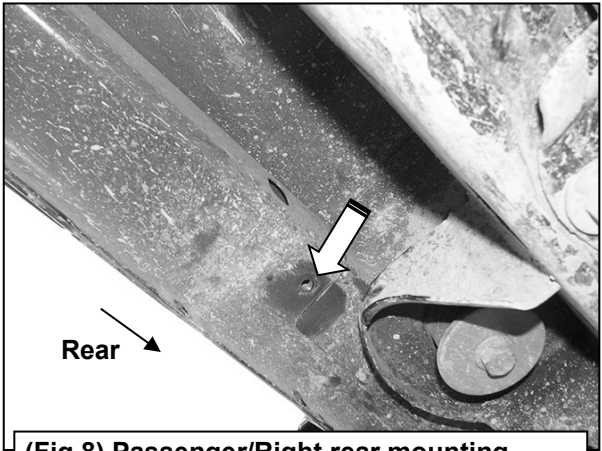
10mm x 30mm Hex Bolt
(2) 10mm Flat Washers
10mm Nylon Lock Nut
10mm Lock Washer

(Fig 6) Attach (1) Passenger/Right Support Bracket to the Front Mounting Bracket

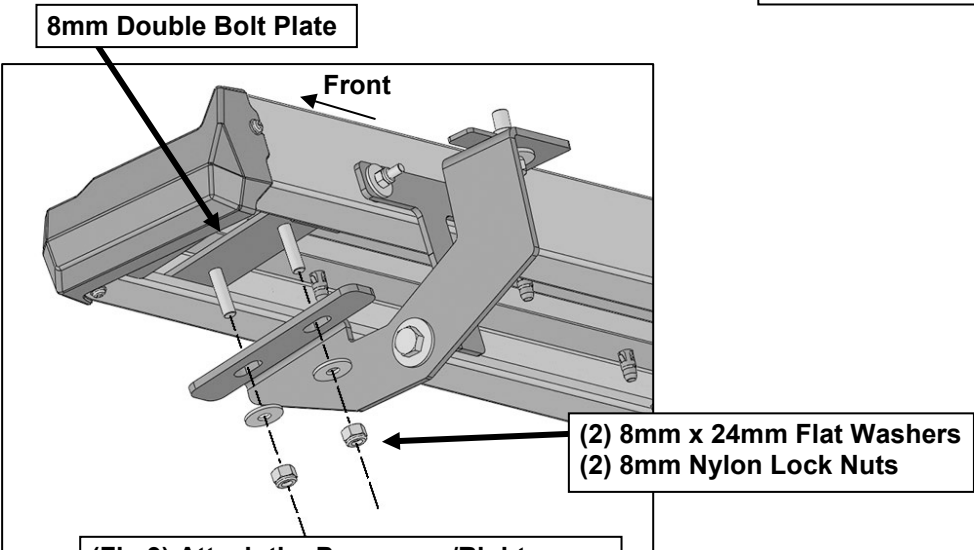
Passenger/Right Side Installation Pictured



(Fig 7A) Passenger/Right center mounting location (Model without threaded insert shown)



(Fig 8) Passenger/Right rear mounting location (Model with threaded inset shown)



(Fig 9) Attach the Passenger/Right Running Board to the Mounting Brackets