

INSTALLATION INSTRUCTIONS

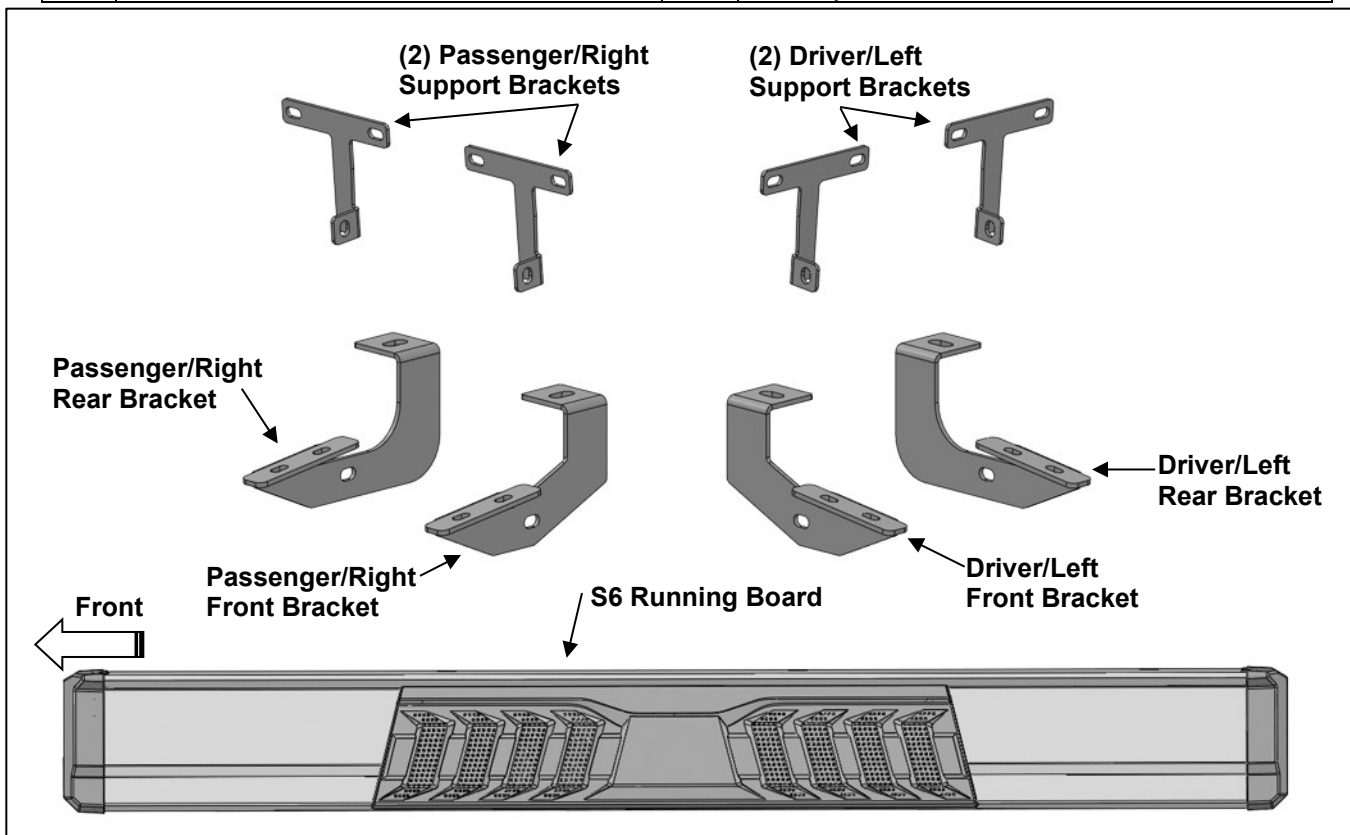
S6 RUNNING BOARDS

2007-18 JEEP WRANGLER JK 2 DOOR

J178880

PARTS LIST:

2	S6 Running Board	4	10mm Hex Nuts
1	Driver/Left Front Mounting Bracket	4	10mm Nut Plates
1	Passenger/Right Front Mounting Bracket	4	8mm x 35mm Double Bolt Plates
1	Driver/Left Rear Mounting Bracket	4	8mm x 35mm Hex Bolts
1	Passenger/Right Rear Mounting Bracket	4	8mm x 28mm OD x 3mm Flat Washers
2	Driver/Left Support Brackets	8	8mm x 24mm OD x 2mm Flat Washers
2	Passenger/Right Support Brackets	4	8mm Lock Washers
4	10mm x 35mm Hex Bolts	8	8mm Nylon Lock Nuts
4	10mm x 30mm Hex Bolts	8	6mm x 25mm Hex Bolts
12	10mm x 30mm OD x 2.5mm Flat Washers	16	6mm x 22mm OD x 2mm Flat Washers
8	10mm Lock Washers	8	6mm Nylon Lock Nuts



PROCEDURE:

- REMOVE CONTENTS FROM BOX. VERIFY ALL PARTS ARE PRESENT. READ INSTRUCTIONS CAREFULLY. FACTORY INSTALLED OR AFTERMARKET "ROCK RAILS," SIDE STEPS OR RUNNING BOARDS MUST BE REMOVED.**
- Start installation toward the front of the Driver/Left side of the vehicle. Determine if the vehicle has an open floor panel or a threaded hole in the floor panel, **(Figures 1 & 5)**.

Vehicles with open mounting location:

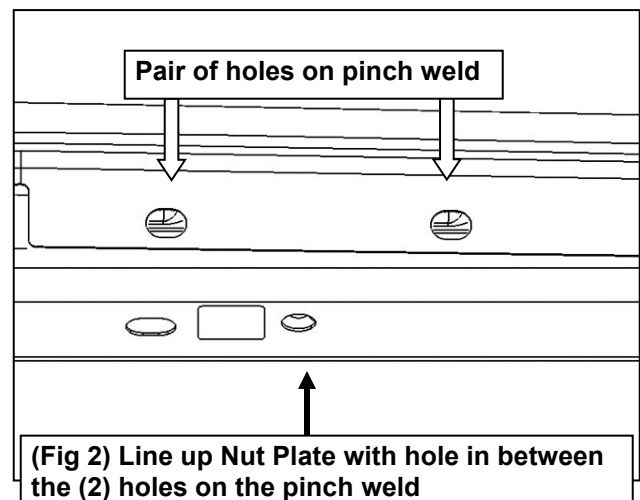
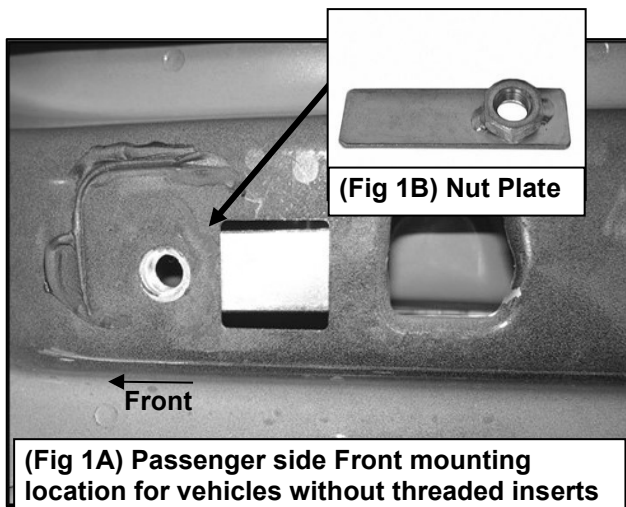
- Insert (1) 10mm Nut Plate into the large square opening in the floor panel. Line up the threaded nut with the hole in between the pair of holes on the pinch weld, **(Figures 1A, 1B & 2)**.
- Move along to the rear mounting location, **(Figure 3)**. Repeat previous **Step** to insert the Nut Plate into the rear opening on the floor panel.
- Select the Driver/Left Front Mounting Bracket. Attach the Bracket to the Nut Plate with (1) 10mm x 35mm Hex Bolt, (1) 10mm Lock Washer and (1) 10mm Flat Washer, **(Figure 4)**. Do not tighten hardware.
- Repeat previous **Step** to attach the Driver/Left Rear Mounting Bracket.
- Continue to **Step 3**.

Vehicles with factory threaded hole in floor panel:

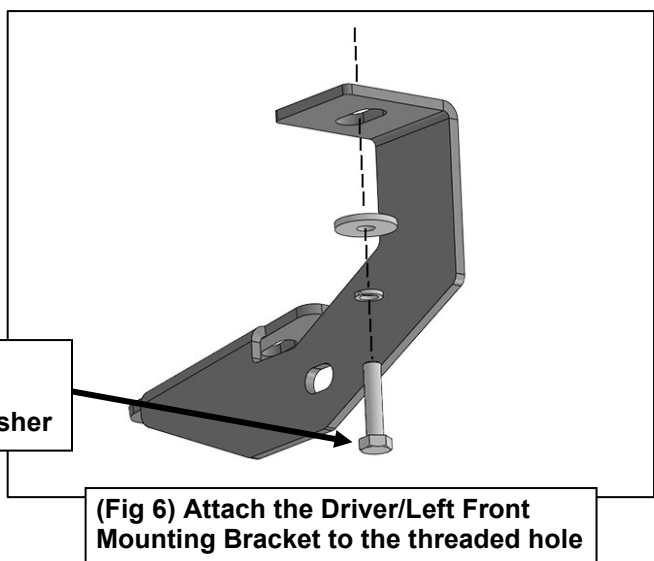
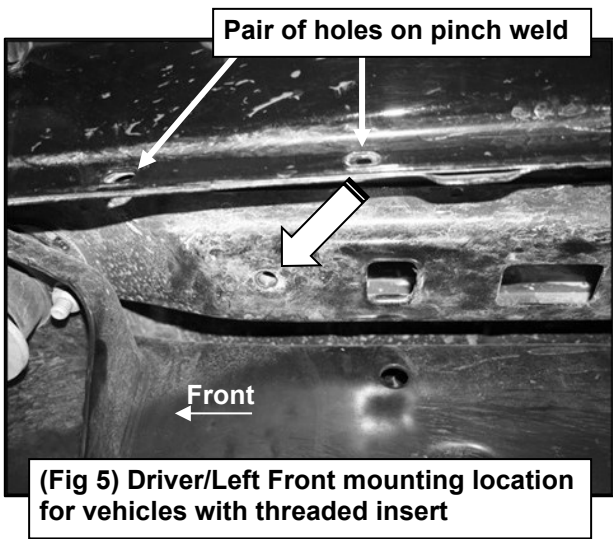
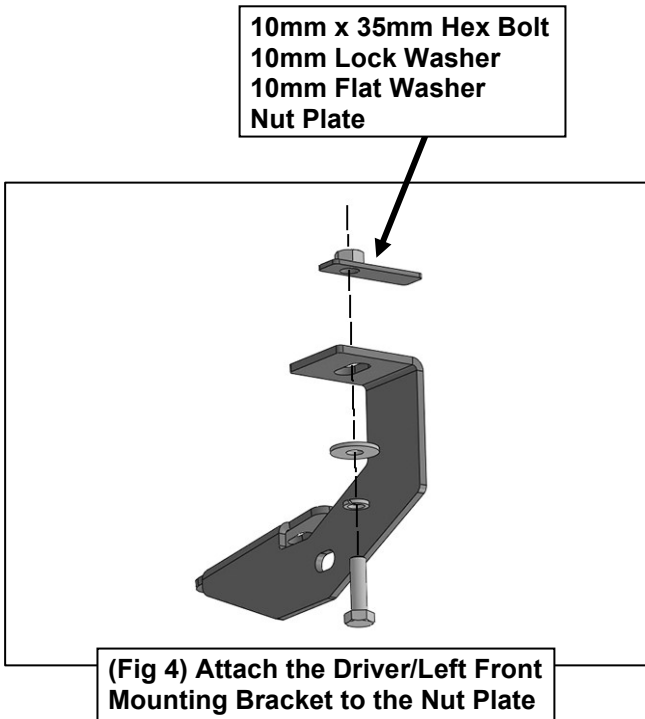
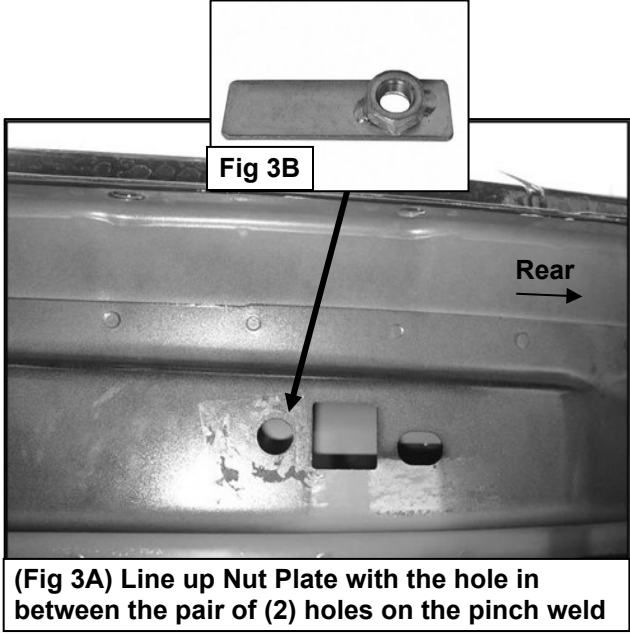
- a. Locate the front and rear mounting locations, **(Figures 5 & 7)**.
 - b. Select the Driver/Left Front Mounting Bracket. Attach the Mounting Bracket to the threaded hole with (1) 8mm Hex Bolt, (1) 8mm Lock Washer and (1) 8mm Flat Washer, **(Figure 6)**. Do not tighten hardware.
 - c. Repeat previous **Step** to attach the Driver/Left Rear Mounting Bracket.
 - d. Continue to **Step 3**.
3. Select (1) Driver/Left Support Bracket. Attach the Support Bracket to the pinch trim with (2) 6mm Hex Bolts, (4) 6mm Flat Washers and (2) 6mm Nylon Lock Nuts, **(Figure 8)**. Attach the Support Bracket to the Mounting Bracket with (1) 10mm x 30mm Hex Bolt, (2) 10mm Flat Washers and (1) 10mm Nylon Lock Nut, (1) 10mm Lock Washer **(Figure 9)**. Do not tighten hardware.
 4. Repeat **Step 3** to attach the remaining (1) Driver/Left Support Bracket to the rear location.
 5. Unwrap the Driver/Left S6 Running Board. Select (2) 8mm Double Bolt Plates. Insert the Bolt Plates into the channel in the bottom of the Running Board, **(Figure 10)**.
 6. Place the Running Board on top of the (2) Mounting Brackets. Lift the Running Board up and guide the studs down through the Brackets. **IMPORTANT:** Do not slide the Running Board on the Brackets, (front to back), or the finish on the Running Board may be damaged.
 7. Attach the Running Board to the Brackets with (4) 8mm Flat Washers and (4) 8mm Nylon Lock Nuts, **(Figure 10)**. Do not tighten hardware.
 8. Level and adjust the Running Board and tighten all hardware.
 9. Repeat **Steps 2—8** to attach the Passenger/Right Running Board.
 10. Do periodic inspections to the installation to make sure that all hardware is secure and tight.

To protect your investment, Do not use any type of polish or wax that may contain abrasives that could damage the finish. Mild soap may be used to clean the Running Boards.

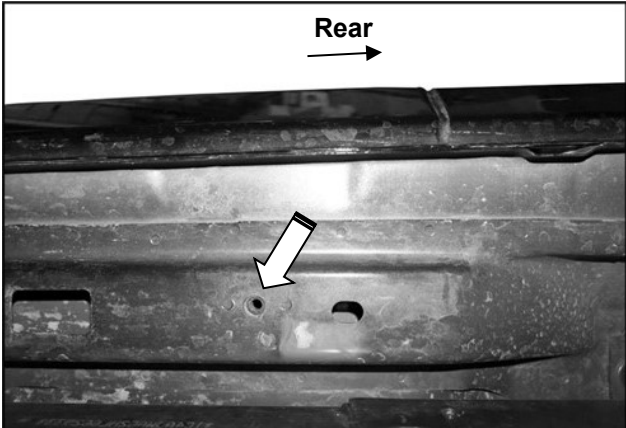
Driver/Left Side Installation Pictured



Driver/Left Side Installation Pictured

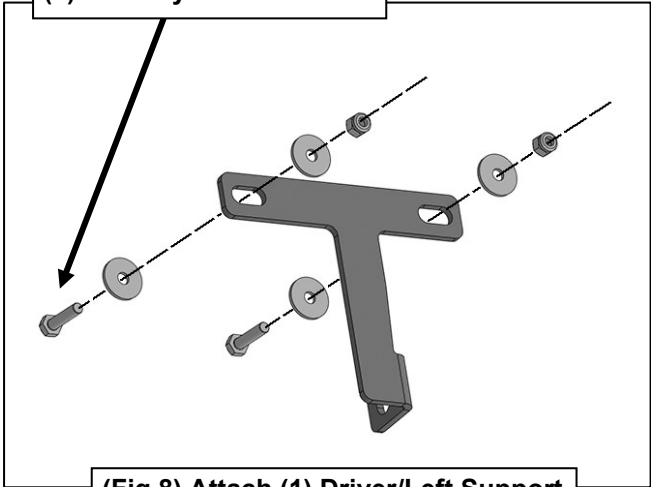


Driver/Left Side Installation Pictured

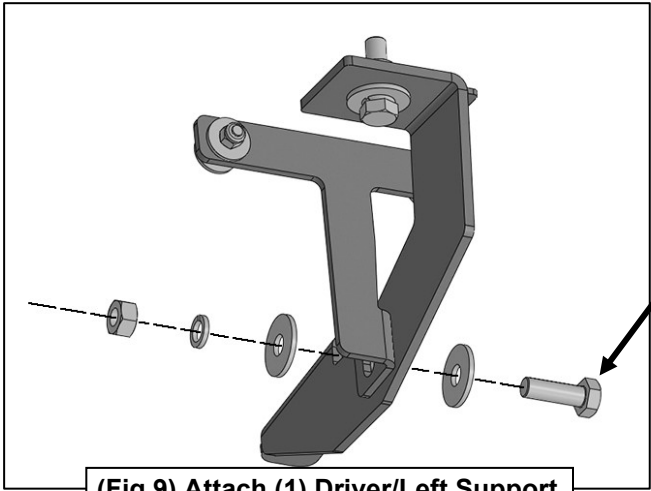


(Fig 7) Driver/Left Rear mounting location for vehicles with threaded insert

- (2) 6mm Hex Bolts
- (4) 6mm Flat Washers
- (2) 6mm Nylon Lock Nuts

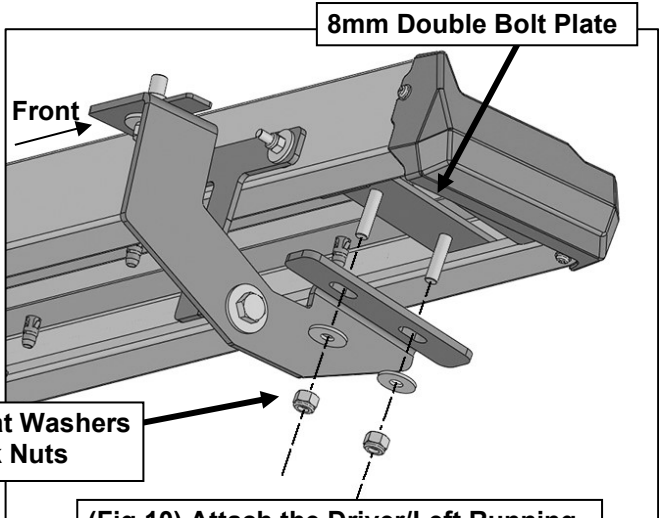


(Fig 8) Attach (1) Driver/Left Support Bracket to the pinch trim



(Fig 9) Attach (1) Driver/Left Support Bracket to the Mounting Bracket

- 10mm x 30mm Hex Bolt
- (2) 10mm Flat Washers
- 10mm Nylon Lock Nut
- 10mm Lock Washer



(Fig 10) Attach the Driver/Left Running Board to the (2) Mounting Brackets

- (2) 8mm x 24mm Flat Washers
- (2) 8mm Nylon Lock Nuts