

# **BARRICADE**

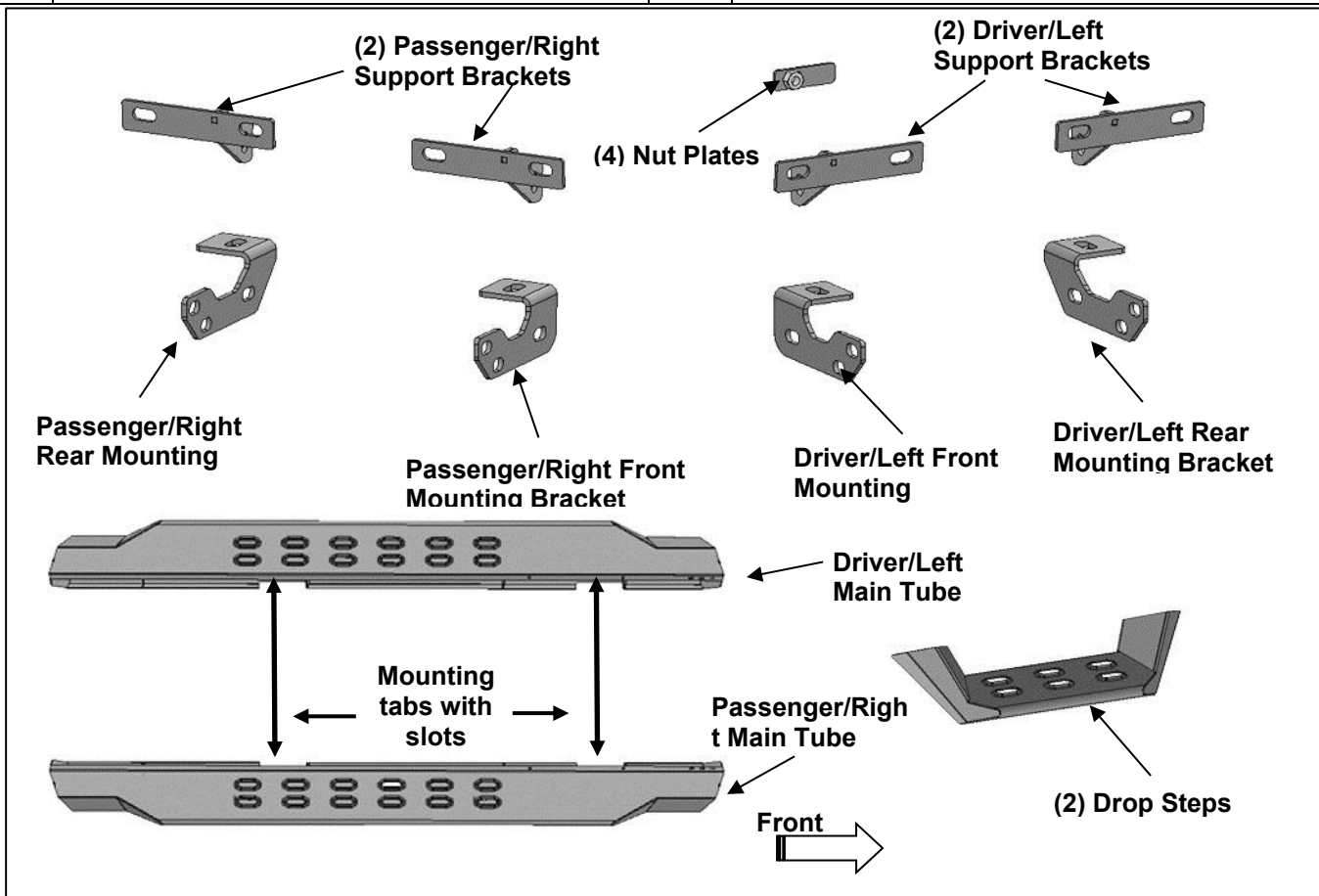
**INSTALLATION INSTRUCTIONS  
HD OVERLAND DROP SIDE STEP BARS**

**2007-2018 WRANGLER JK - 2 DOOR**

SKU # J176633

**PARTS LIST:**

1	Main Tube(DS)	24	10mm x 20mm x2mm Flat Washers
1	Main Tube(PS)	12	10mm Nylon Lock Nuts
2	Drop Steps	12	10mm x 30mm Hex Bolts
1	Driver/Left Front Mounting Bracket	4	10mm x 35mm Hex Bolts
1	Passenger/Right Front Mounting Bracket	4	8mm Lock Washers
1	Driver/Left Rear Mounting Bracket	4	8mm x 28mm x3mm Flat Washers
1	Passenger/Right Rear Mounting Bracket	4	8mm x 35mm Hex Bolts
2	Driver/Left Support Brackets	8	6mm x 25mm Hex Bolts
2	Passenger/Right Support Brackets	8	6mm Nylon Lock Nuts
4	8x25mm Bolts Plate	16	6mm x 22mm x2mm Flat Washers
4	10mm Nuts Plates	8	8mm x 22mm x 2mm Flat Washers (Drop Step Assembly)
4	10mm x 34mm x3mm Flat Washers	8	8mm Nylon Lock Nuts (Drop Step Assembly)
4	10mm Lock Washers		



**PROCEDURE:**

1. REMOVE CONTENTS FROM BOX. VERIFY ALL PARTS ARE PRESENT. READ INSTRUCTIONS CAREFULLY. FACTORY INSTALLED OR AFTERMARKET "ROCK RAILS," SIDE STEPS OR RUNNING BOARDS MUST BE REMOVED.
2. Start installation toward the front of the Driver/Left side of the vehicle. Determine if the vehicle has an open floor panel or a threaded hole in the floor panel, (Figures 1 & 3).

**Vehicles with open mounting location:**

- a. Insert (1) 10mm Nut Plate into the large square opening in the floor panel. Line up the threaded nut with the hole in between the pair of holes on the pinch weld, (Figures 1A, 1B & 2).

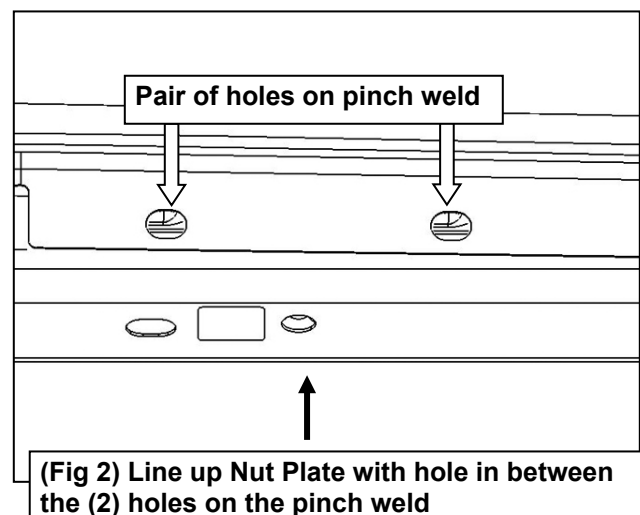
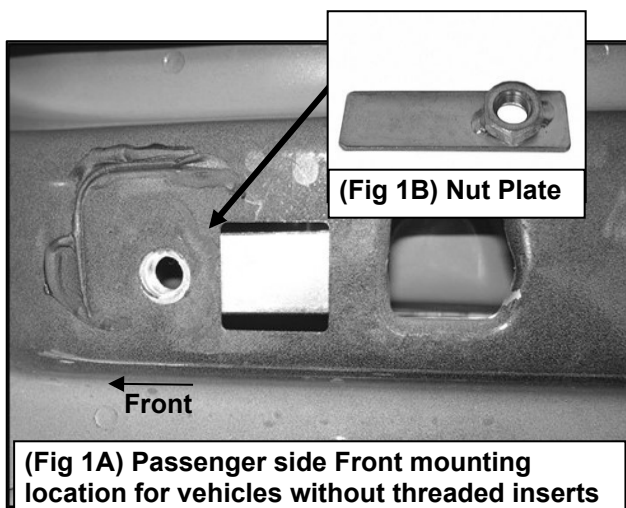
- b. Move along to the rear mounting location, **(Figure 3)**. Repeat previous **Step** to insert the Nut Plate into the rear opening on the floor panel.
- c. Select the Driver/Left Front Mounting Bracket. Attach the Bracket to the Nut Plate with (1) 10mm x 35mm Hex Bolt, (1) 10mm Lock Washer and (1) 10mm x 34mm Flat Washer, **(Figure 4)**. Do not tighten hardware.
- d. Repeat previous **Step** to attach the Driver/Left Rear Mounting Bracket, **(Figure 8)**.
- e. Continue to **Step 3**.

**Vehicles with factory threaded hole in floor panel:**

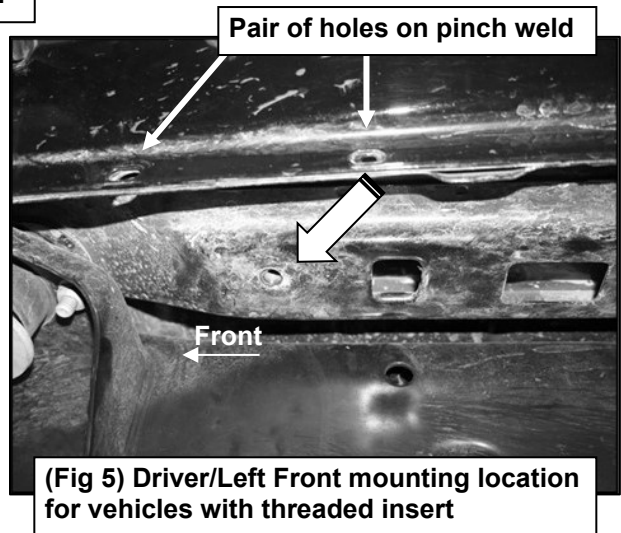
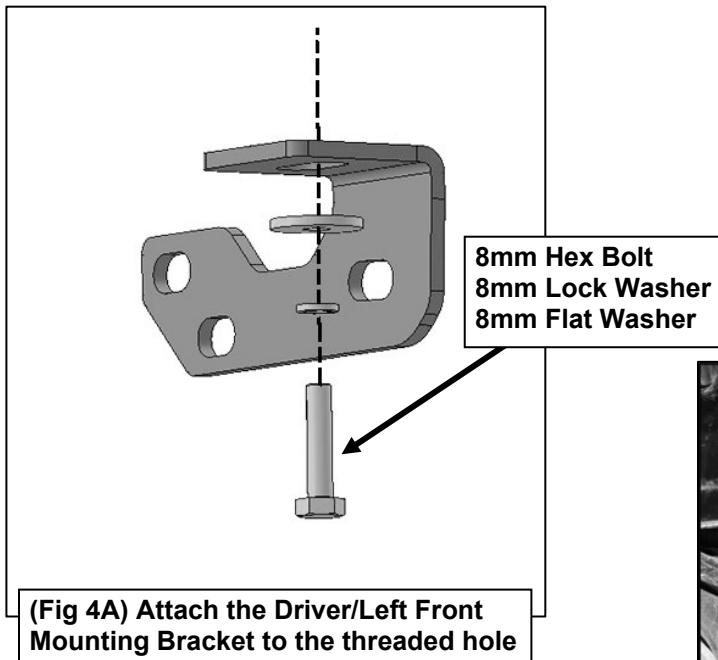
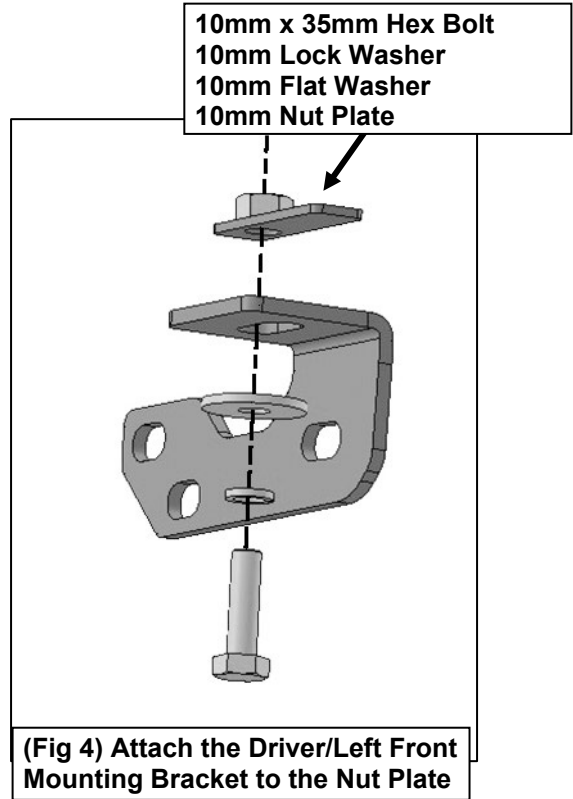
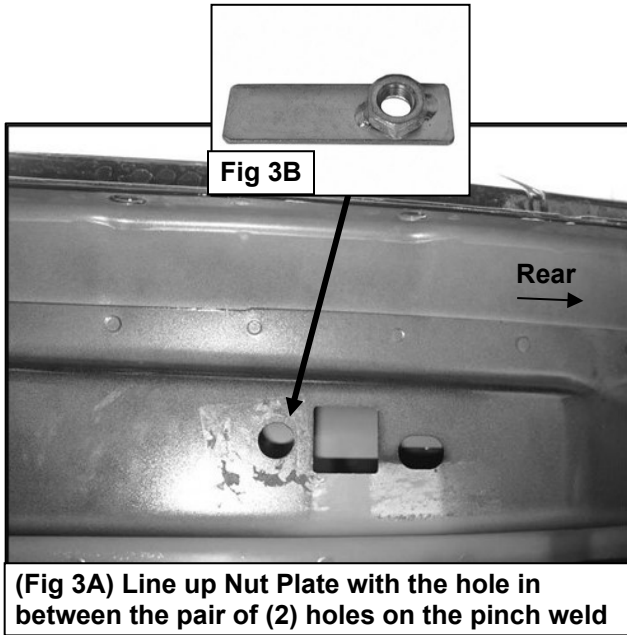
- a. Locate the front and rear mounting locations, **(Figures 5 & 9)**.
  - b. Select the Driver/Left Front Mounting Bracket. Attach the Mounting Bracket to the threaded hole with (1) 8mm Hex Bolt, (1) 8mm Lock Washer and (1) 8mm Flat Washer, **(Figure 4A)**. Do not tighten hardware.
  - c. Repeat previous **Step** to attach the Driver/Left Rear Mounting Bracket, **(Figure 8A)**.
  - d. Continue to **Step 3**.
3. Select (1) Driver/Left Support Bracket. Attach the Support Bracket to the pinch trim with (2) 6mm Hex Bolts, (4) 6mm Flat Washers and (2) 6mm Nylon Lock Nuts, **(Figure 6 & 10)**. Attach the Support Bracket to the Mounting Bracket with (1) 10mm x 30mm Hex Bolt, (2) 10mm x 20mm Flat Washers and (1) 10mm Nylon Lock Nut, **(Figure 7 & 11)**. Do not tighten hardware.
  4. Repeat **Step 3** to attach the remaining (1) Driver/Left Support Bracket to the rear location.
  5. Select the Driver/Left Main Tube. **IMPORTANT:** Use the illustration above to help identify the correct Main Tube. Insert (2) 8mm Bolt Plates into the front (2) sets of (2) holes, **(Figure 12)**. Attach (1) Drop Step to the (2) Bolt Plates with (4) 8mm x 22mm Flat Washers and (4) 8mm Nylon Lock Nuts, **(Figure 13)**. Do not tighten hardware.
  6. With assistance, line up the holes in the mounting tabs on the Running Board to the rear facing slots in the Mounting Brackets. Attach the Driver/Left Main Tube to the Mounting Brackets with (4) 10mm Hex Bolts, (8) 10mm Flat Washers and (4) 10mm Nylon Lock Nuts, **(Figure 14)**. Do not tighten hardware.
  7. Level and adjust the Running Board and tighten all hardware.
  8. Repeat **Steps 2—6** to attach the Passenger/Right Main Tube.
  9. Do periodic inspections to the installation to make sure that all hardware is secure and tight.

**To protect your investment:** Do not use any type of polish or wax that may contain abrasives that could damage the finish. Mild soap may be used to clean the Slider Drop Steps.

**Driver/Left Side Installation Pictured**

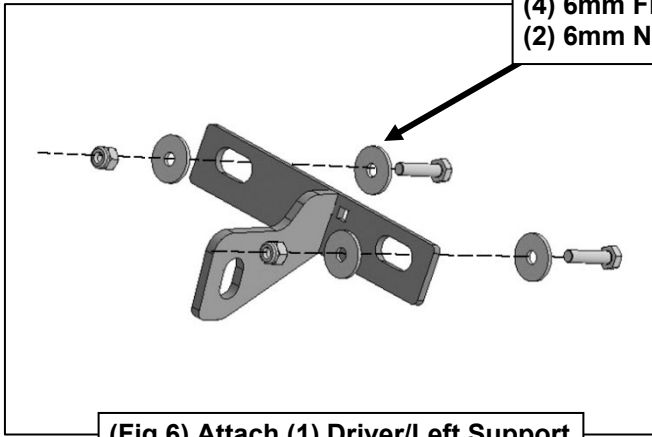


**Driver/Left Side Installation Pictured**



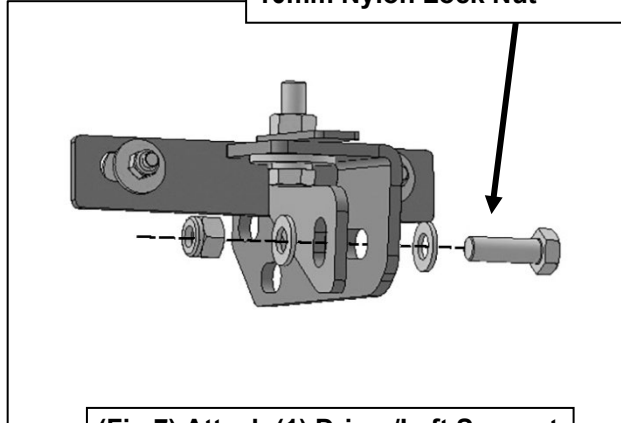
**Driver/Left Side Installation Pictured**

- (2) 6mm Hex Bolts
- (4) 6mm Flat Washers
- (2) 6mm Nylon Lock Nuts



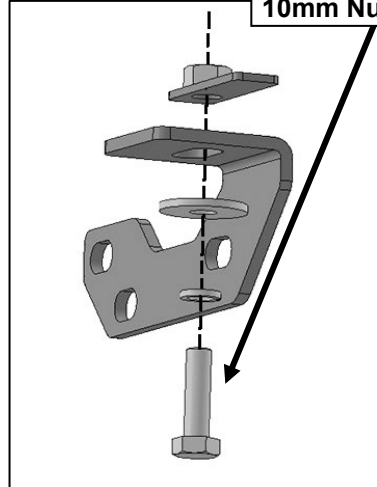
**(Fig 6) Attach (1) Driver/Left Support Bracket to the pinch trim**

- 10mm x 30mm Hex Bolt
- (2) 10mm x 20mm Flat Washers
- 10mm Nylon Lock Nut



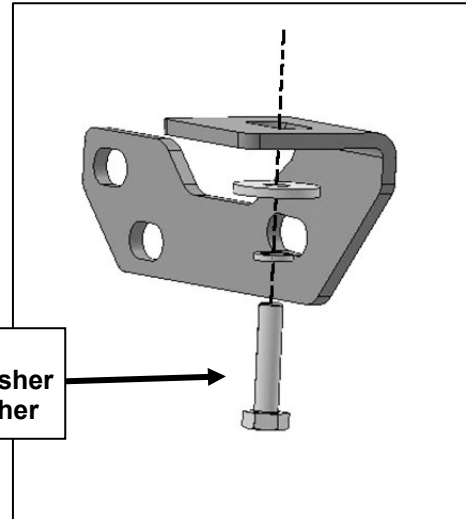
**(Fig 7) Attach (1) Driver/Left Support Bracket to the Mounting Bracket**

- 10mm x 35mm Hex Bolt
- 10mm Lock Washer
- 10mm Flat Washer
- 10mm Nut Plate

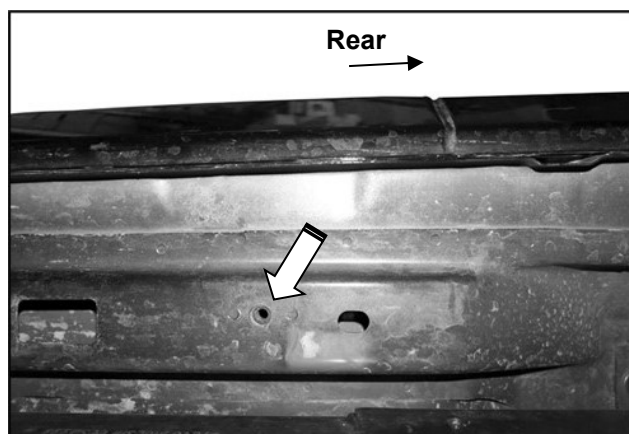


**(Fig 8) Attach the Driver/Left Rear Mounting Bracket to the Nut Plate**

- 8mm Hex Bolt
- 8mm Lock Washer
- 8mm Flat Washer



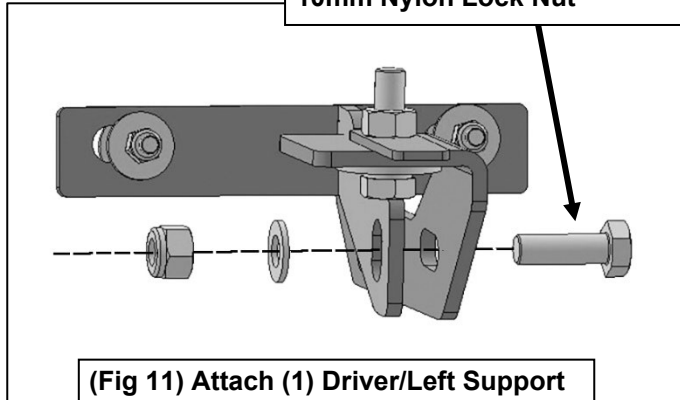
**(Fig 8A) Attach the Driver/Left Rear Mounting Bracket to the threaded hole**



**(Fig 9) Driver/Left Rear mounting location for vehicles with threaded insert**

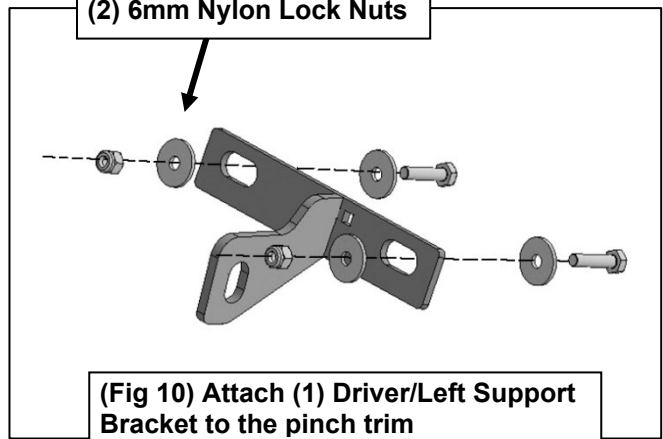
**Driver/Left Side Installation Pictured**

10mm x 30mm Hex Bolt  
(2) 10mm x 20mm Flat Washers  
10mm Nylon Lock Nut



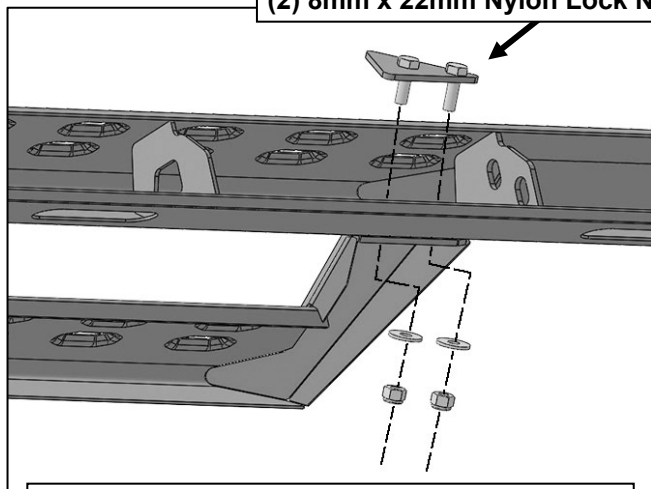
**(Fig 11) Attach (1) Driver/Left Support Bracket to the Mounting Bracket**

(2) 6mm Hex Bolts  
(4) 6mm Flat Washers  
(2) 6mm Nylon Lock Nuts

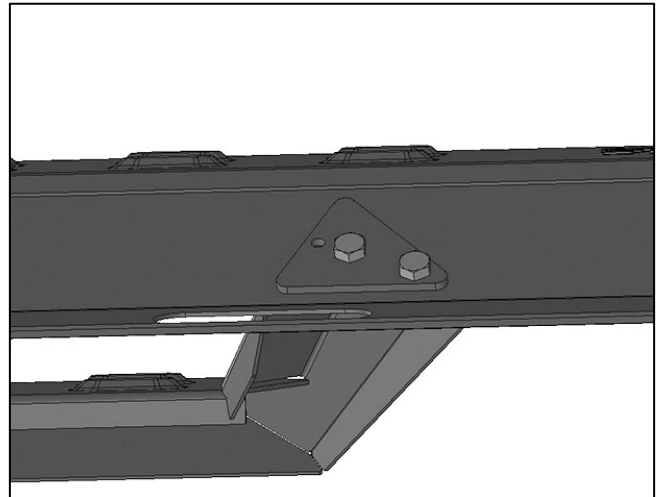


**(Fig 10) Attach (1) Driver/Left Support Bracket to the pinch trim**

(1) 8mm Bolt Plate  
(2) 8mm Flat Washers  
(2) 8mm x 22mm Nylon Lock Nuts

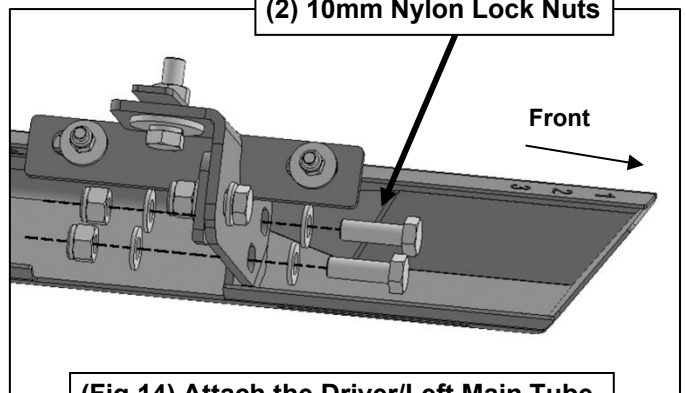


**(Fig 13) Attach (1) Drop Step to (2) Bolt Plates**



**(Fig 12) Insert (1) Bolt Plate into the holes in the Tube**

(2) 10mm Hex Bolts  
(4) 10mm Flat Washers  
(2) 10mm Nylon Lock Nuts



**(Fig 14) Attach the Driver/Left Main Tube to the Mounting Brackets**