



CLASSIC REAR BUMPER & TIRE CARRIER

(1987-1995 WRANGLER YJ)
(1997-2006 WRANGLER TJ)

INSTALLATION INSTRUCTIONS

CONTENTS

(1) Rear Bumper	(1) Tire Carrier Handle Bracket
(1) Tire Carrier	(1) Tire Carrier Cap
(2) D-Rings	(1) Tire Carrier Nylon Post Ring
(2) Upper Bumper Brackets	(1) Tire Carrier Post Washer
(2) Lower Bumper Brackets	(3) Lug Nuts
(1) Latch Assembly	(1) Allen Wrench
(1) Spare Tire Base	(1) Zerk Fitting
(1) Spare Tire Base Shim	(1) Thread Locker
(1) Spare Tire Mount	(2) M10x1.50 x 65mm Bolts
(3) Tire Carrier Handle Shims (2mm)	(2) M10x1.50 x 40mm Bolts
(3) Tire Carrier Handle Shims (3mm)	(1) M10x1.50 x 20mm Bolt
(20) M12x1.75 x 35mm Bolts	(4) M10 Lock Nuts
(2) M12x1.75 x 80mm Bolts	(9) M10 Flat Washers
(2) M12x1.75 x 30mm Bolts	(1) M10 Lock Washer
(42) M12 Flat Washers	
(2) M12 Lock Washers	
(20) M12 Lock Nuts	

TOOLS REQUIRED

1/2", 13mm, 16mm Sockets
Ratchets & Extensions
T9, T20, T25, T40, T50 Torx Bits
Trim Panel Removal Tool
Clean Towel
Cleaning Solution
Power Drill
3/8" Drill Bit

SKU # J174537



STEP 1

Remove the spare tire from the vehicle. Remove (5) 1/2" bolts securing the tire carrier.



STEP 2

Remove the (4) T-30 Torx screws holding each end caps on the rear bumper. Remove the end caps.



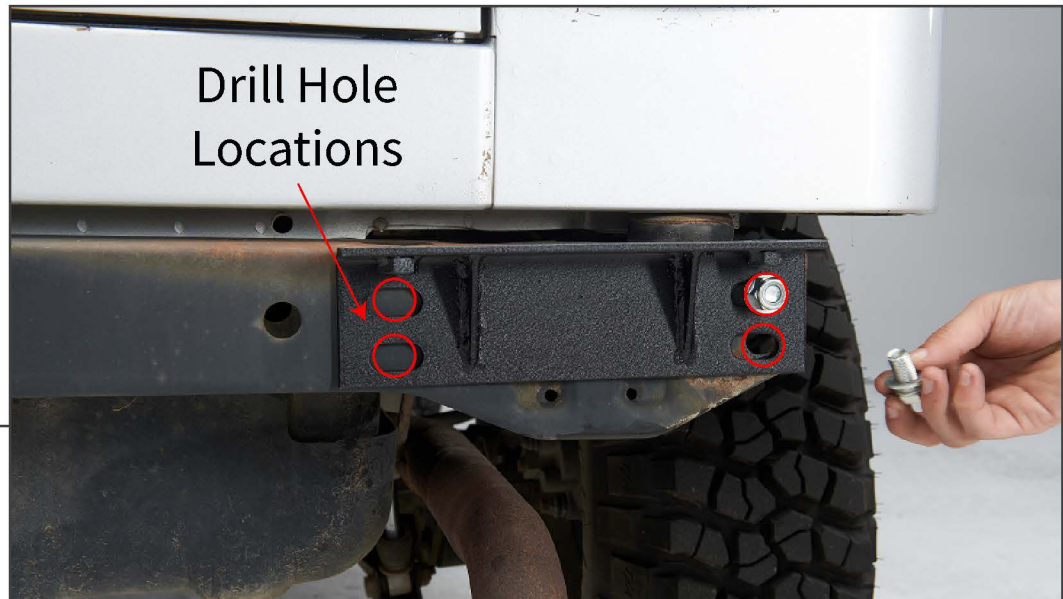
STEP 3

Using an 18mm socket, remove the (4) bolts securing the rear bumper.



STEP 4

Slide the bumper away from the back of the vehicle.



STEP 5

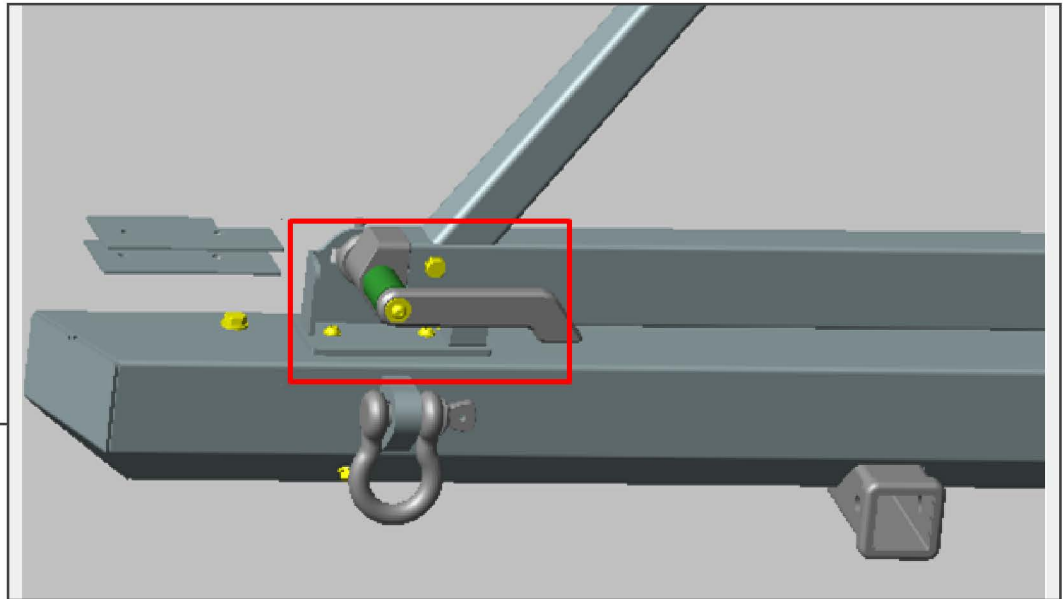
Using the supplied brackets and (12) M12 x 35mm bolts, (24) M12 flat washers, and (12) M12 lock nuts, mount them to the vehicle in the factory mounting holes as pictured. Install the lower bumper brackets to the bumper using (2) M12 x 35mm bolts, (4) M12 flat washers, and (2) M12 lock nuts.

****Note:** The (2) inner mounting holes locations will need to be drilled. Drill using a 3/8" drill bit & drill.



STEP 6

Slide the new bumper into position on the mounting brackets and align the 4 holes on the top of the bumper up with the 4 holes on the mounting plates.



STEP 7

Secure the (1) tire carrier handle bracket to the bumper using (2) M10 x 40mm bolts, (2) M10 lock washers, (4) M10 flat washers, and (2) M10 nuts. Tighten until secure. Use (2) included shims if necessary to add additional height.

****Note:** Remove (4) 10mm bolts to remove the license plate bracket, if additional clearance is necessary.



STEP 8

Using the supplied (6) M12 x 35mm bolts, (12) M12 flat washers, and (4) M12 lock nuts, install the rear bumper onto the vehicle, leaving it loose for adjustment. Once the bumper is in place and centered, tighten all the hardware.



STEP 9

Install the swing arm by sliding it over the post on the bumper.

****Note:** Bumper post and swing arm must be greased liberally and periodically to prevent corrosion.



STEP 10

Install the top cap and nylon washer, then secure the tire carrier to the bumper using (1) M10 x 20mm Allen bolt and (1) M10 lock washer.



STEP 11

Slide the latch assembly into the swing arm and secure into place using (2) M10 x 65mm bolts, (4) M10 flat washers, and (2) M10 lock nuts.



STEP 12

Install the spare tire base onto the rear swing arm using the (4) M12 x 35mm bolts, (8) M12 flat washers, and (4) M12 lock nuts. Install the spare tire mount & (1) spare tire mount shim to the base using (2) M12 x 80mm bolts, (4) M12 flat washers, and (2) M12 lock nuts. Install (2) M12 x 30mm bolts on the bottom of the base to secure the mount. Install the spare tire to the tire carrier.

Installation is now complete.