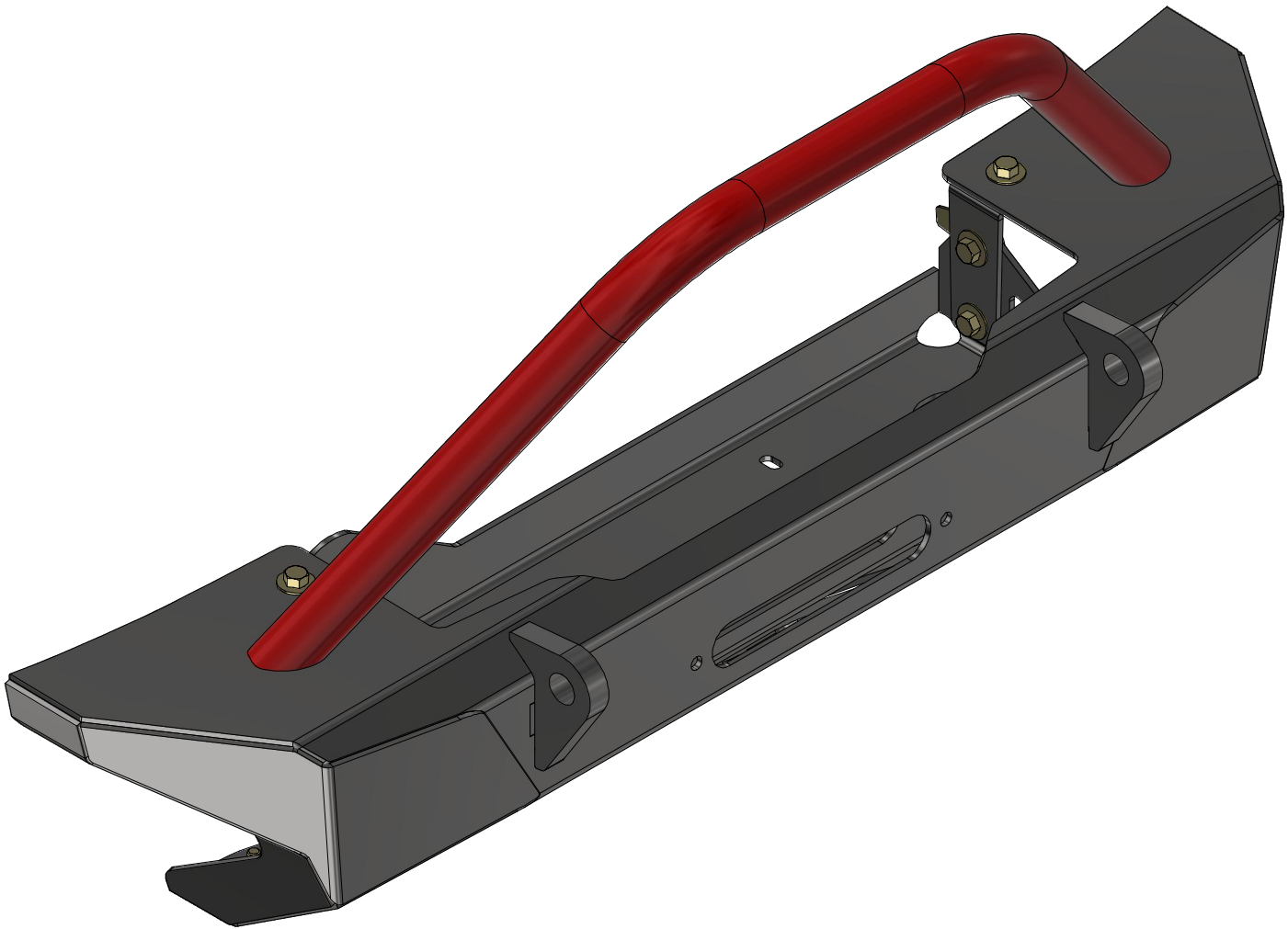


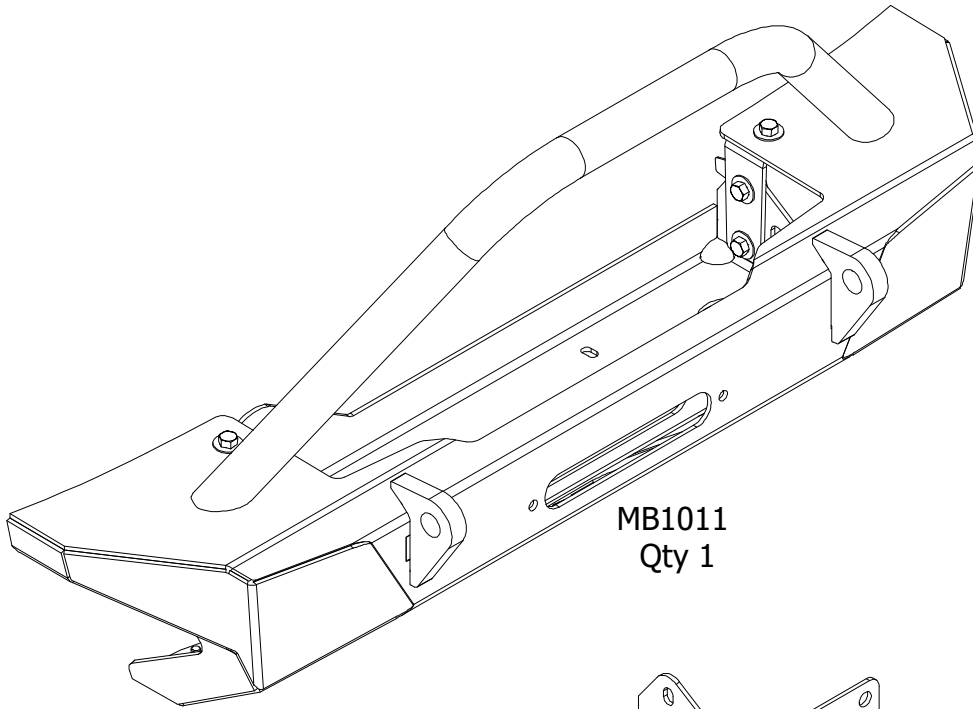
MB1011 - CRUSHER SERIES FRONT BUMPER FOR JEEP JK/JKU



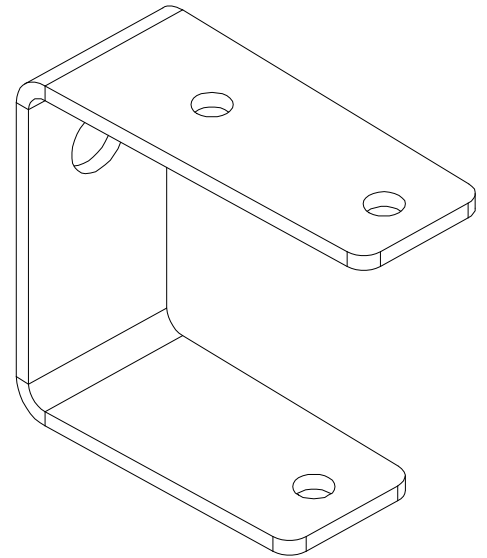
ASSEMBLY INSTRUCTIONS

MB1011 - Assembly Instructions Jeep JK Recessed Winch Front Bumper

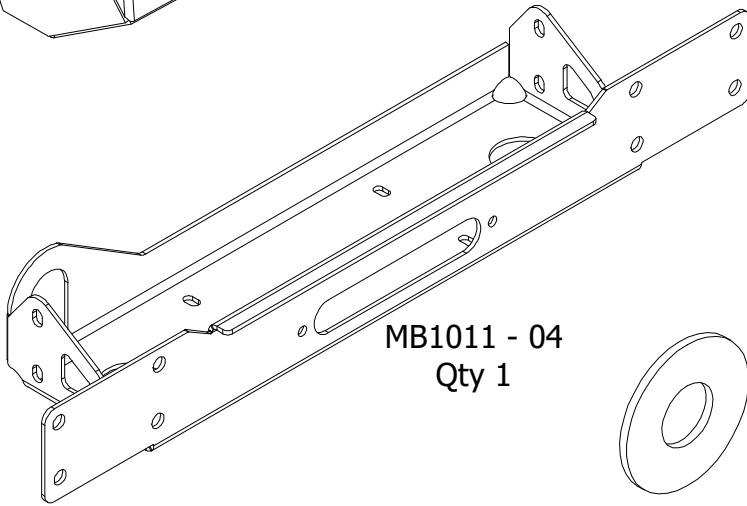
CONTENTS



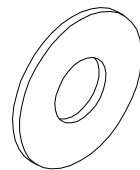
MB1011
Qty 1



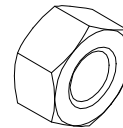
MB1011 - 08
Qty 2



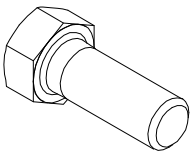
MB1011 - 04
Qty 1



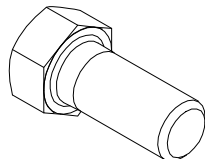
7/16"
FLAT WASHER
Qty 16



7/16" NYLOCK
HEX NUT
Qty 8



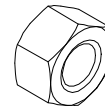
3/8" x 1"
HEX BOLT
Qty 4



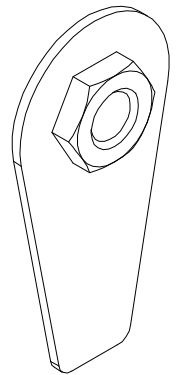
7/16" x 1"
HEX BOLT
Qty 8



3/8"
FLAT WASHER
Qty 4



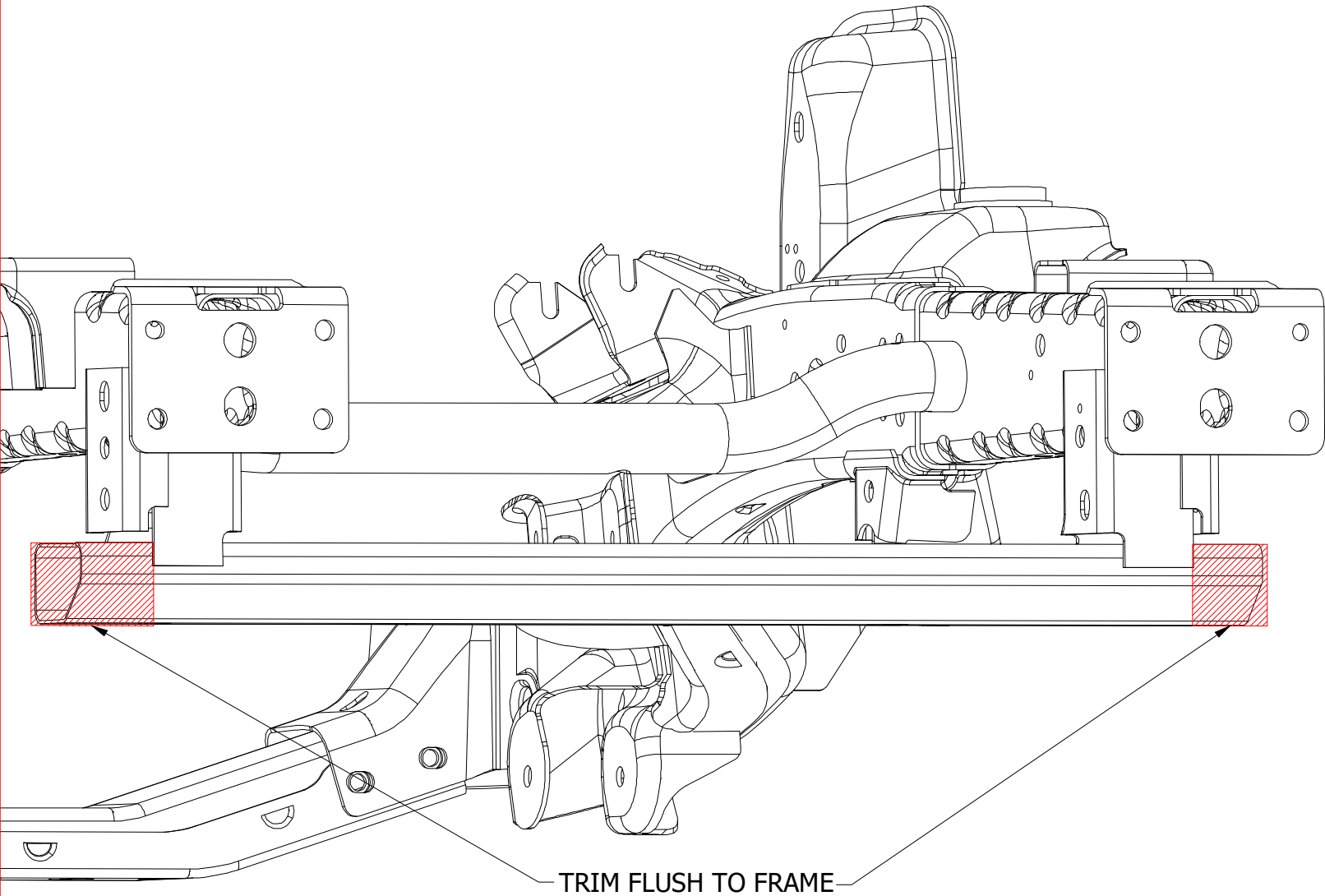
3/8" NYLOCK
HEX NUT
Qty 4

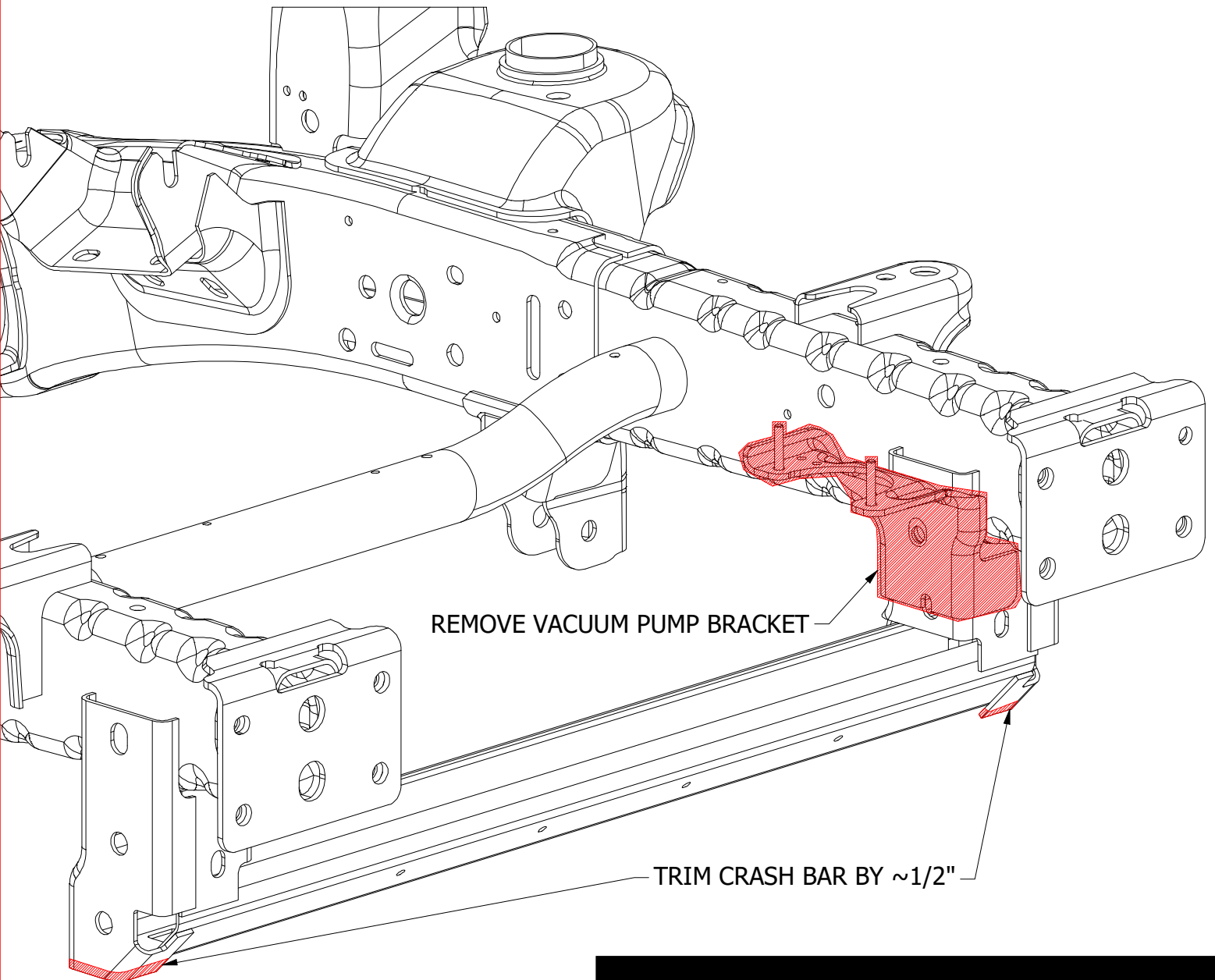


7/16" FLAG NUT
Qty 6

07JK Frame CATIA V5 STEP Exchange

**(2007 - 2011) JK
FRAME MODIFICATION**

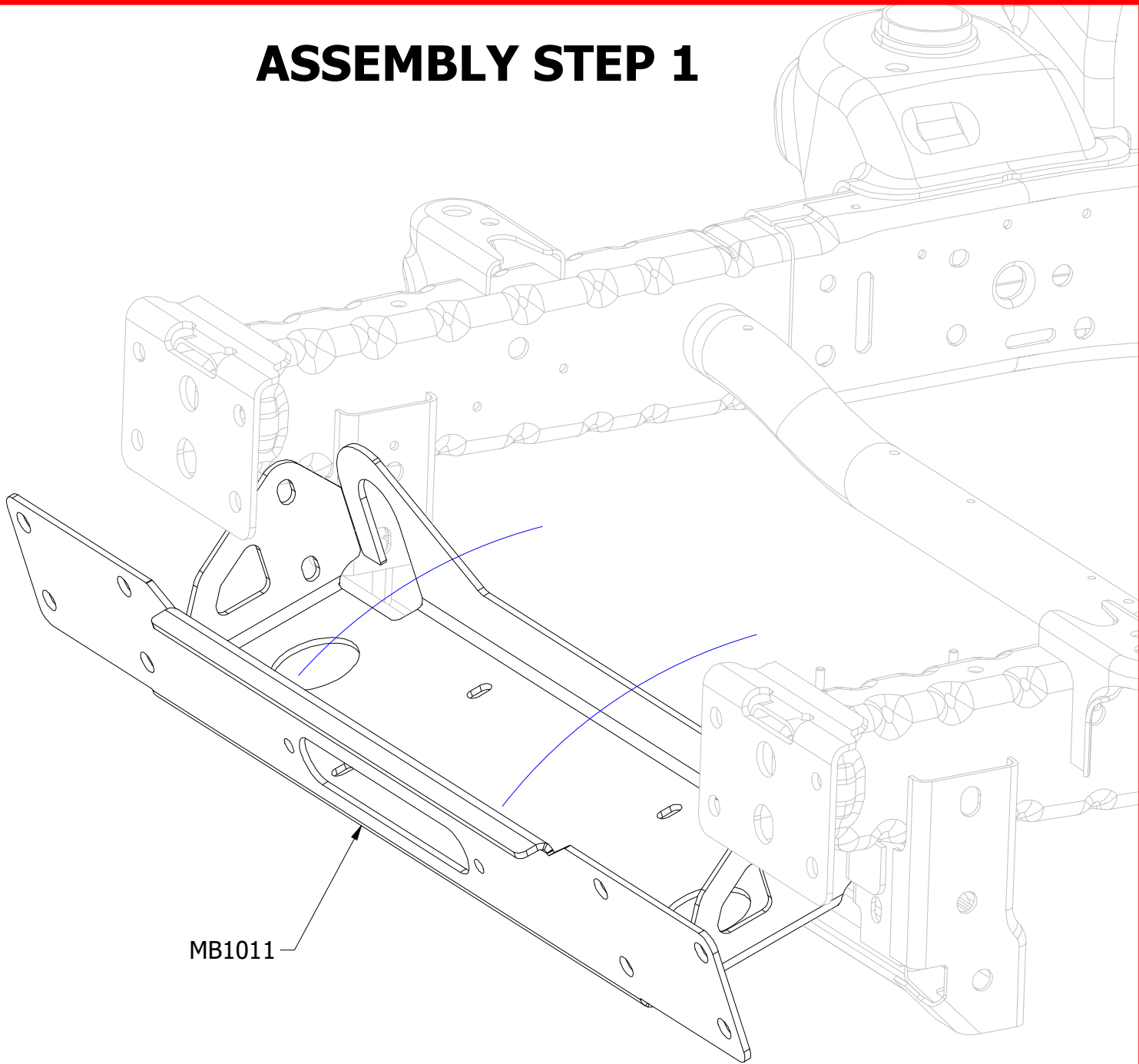


MB1011 - Assembly Instructions Jeep JK Recessed Winch Front Bumper**(2012 - 2018) JK
FRAME MODIFICATION**

**NOTE: THE VACUUM PUMP BRACKET
CAN BE REPLACED BY
MB2060 - VACUUM PUMP
RELOCATION BRACKET**

MB1011 - Assembly Instructions Jeep JK Recessed Winch Front Bumper

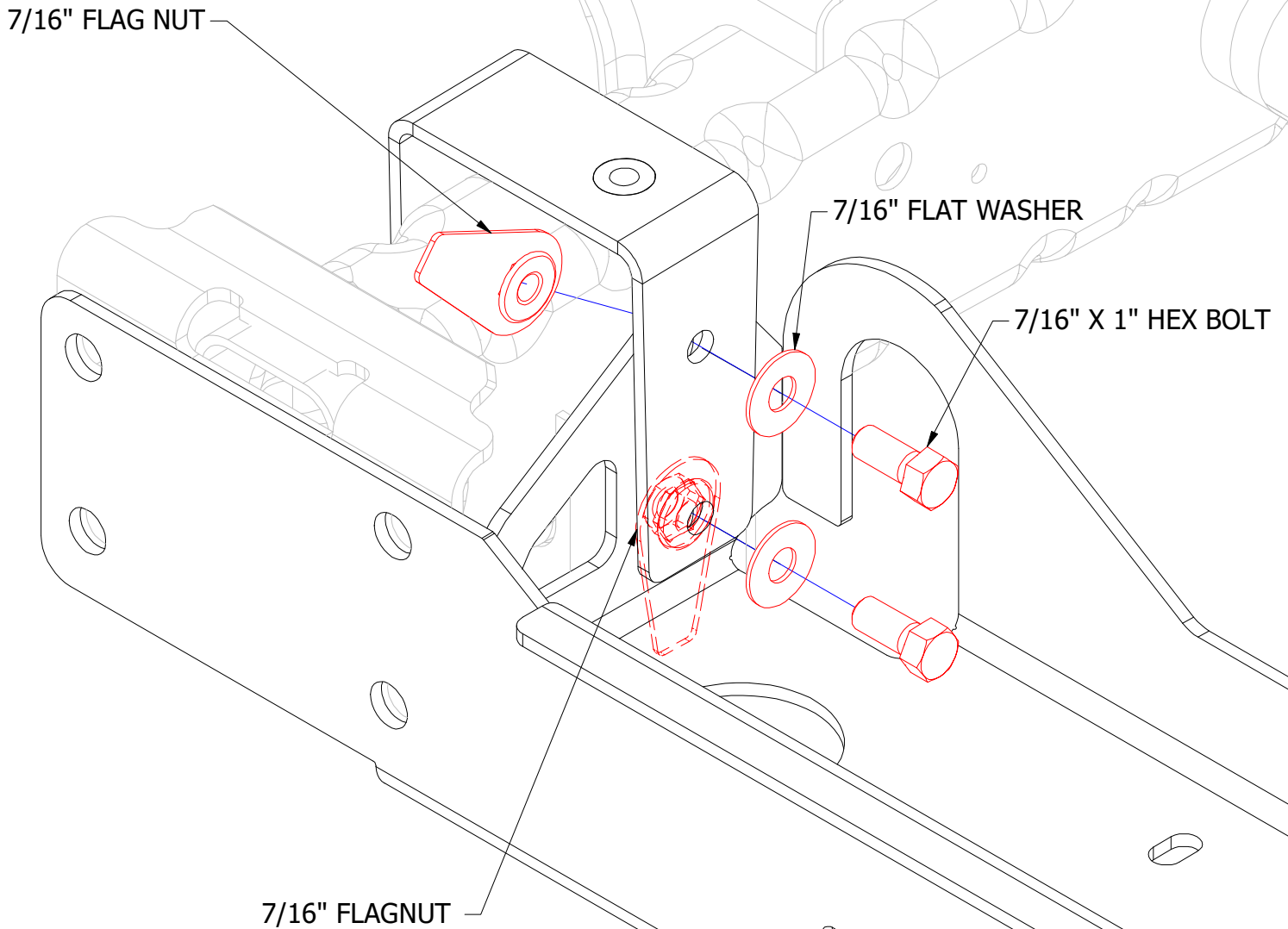
ASSEMBLY STEP 1



MB1011

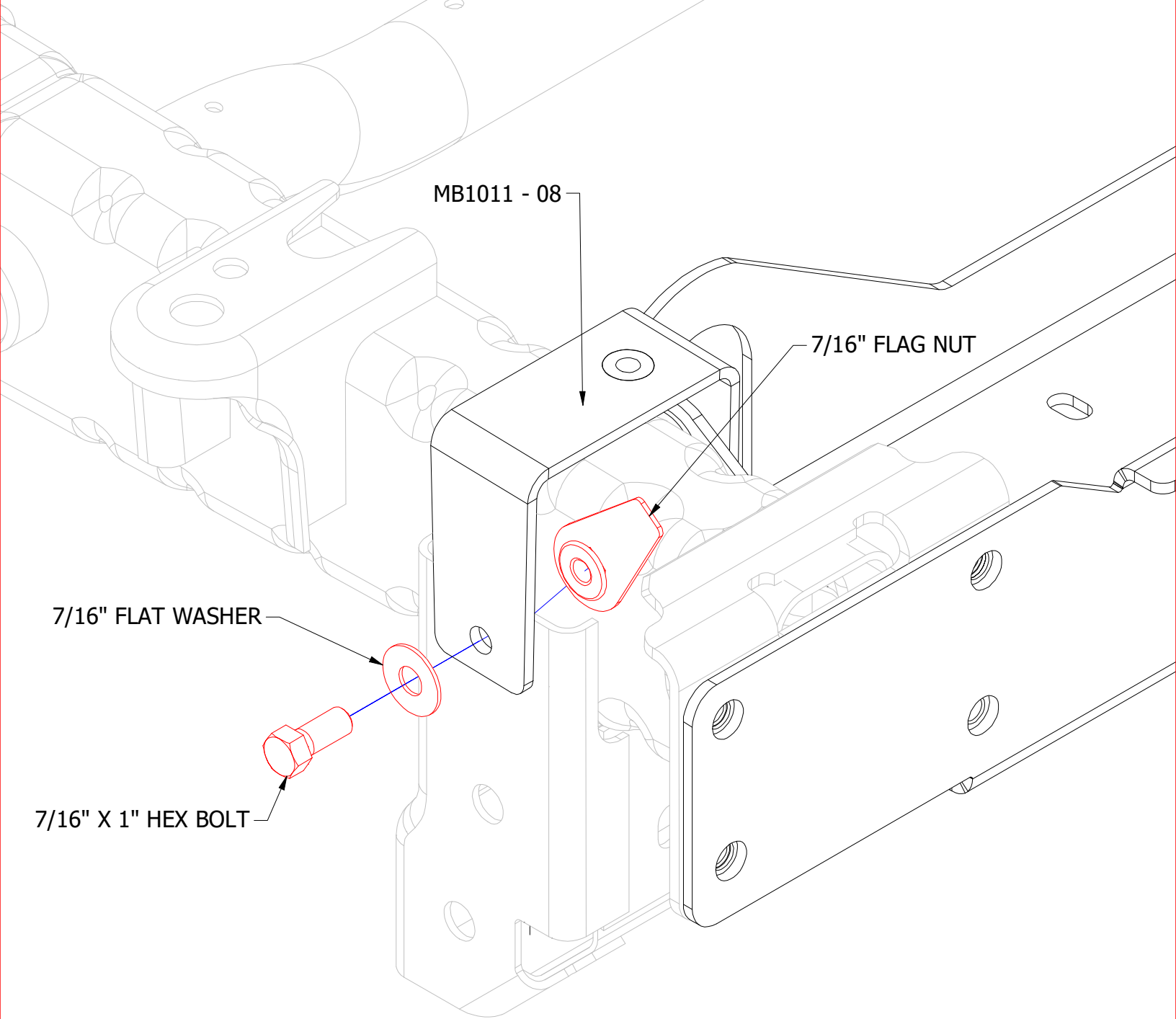
MB1011 - Assembly Instructions Jeep JK Recessed Winch Front Bumper

ASSEMBLY STEP 2



MB1011 - Assembly Instructions Jeep JK Recessed Winch Front Bumper

ASSEMBLY STEP 3



MB1011 - 08

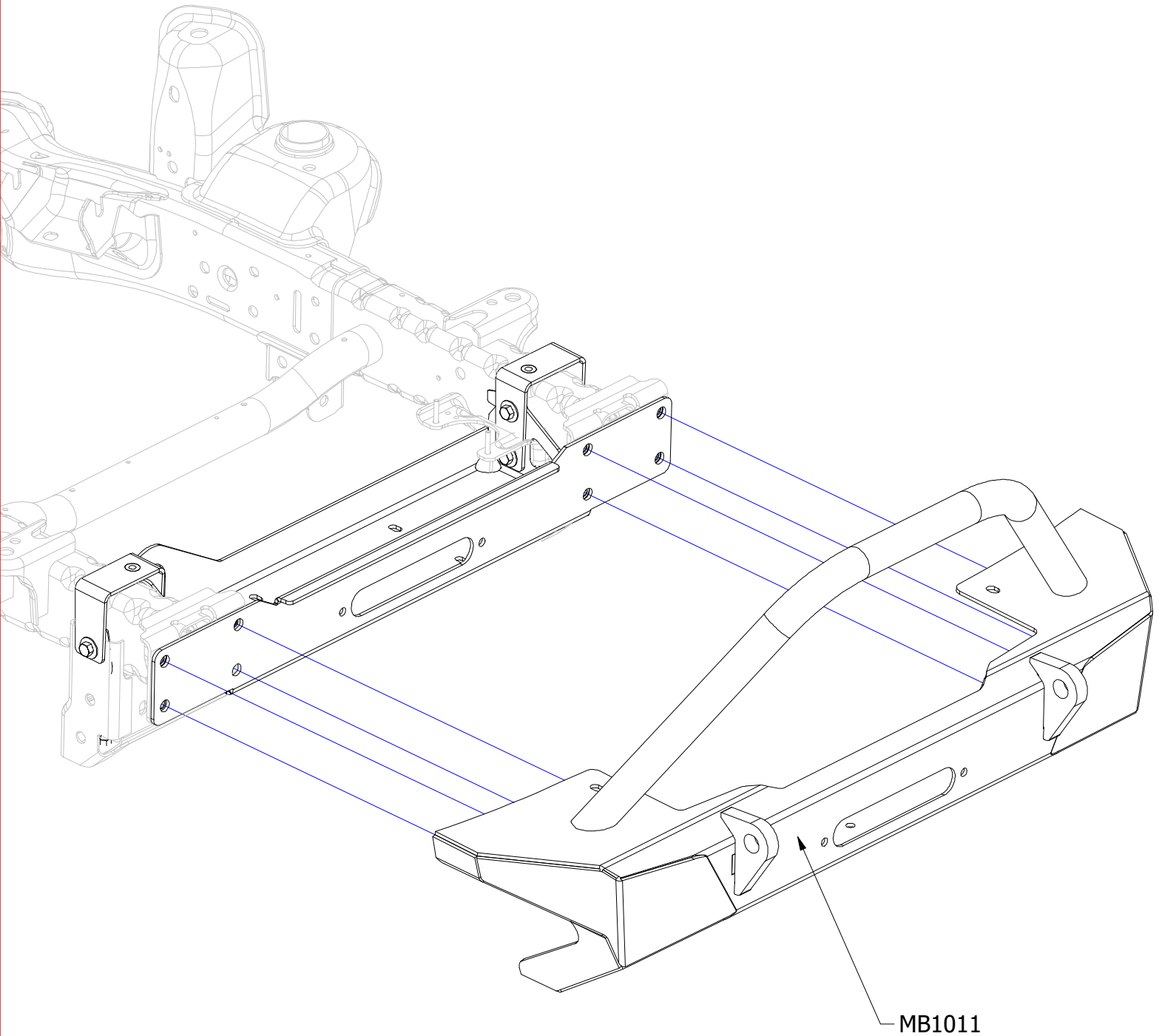
7/16" FLAG NUT

7/16" FLAT WASHER

7/16" X 1" HEX BOLT

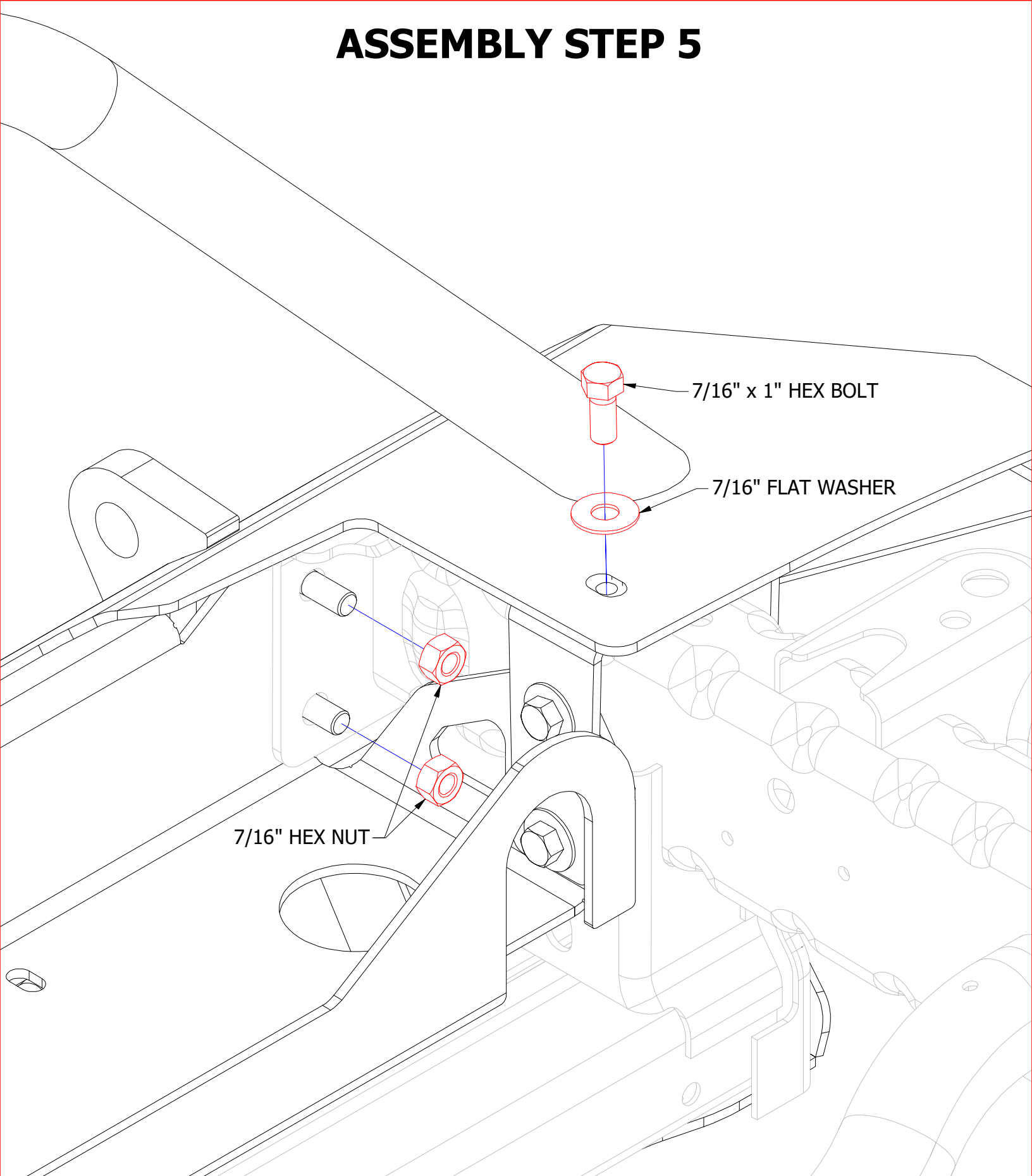
MB1011 - Assembly Instructions Jeep JK Recessed Winch Front Bumper

ASSEMBLY STEP 4



MB1011 - Assembly Instructions Jeep JK Recessed Winch Front Bumper

ASSEMBLY STEP 5



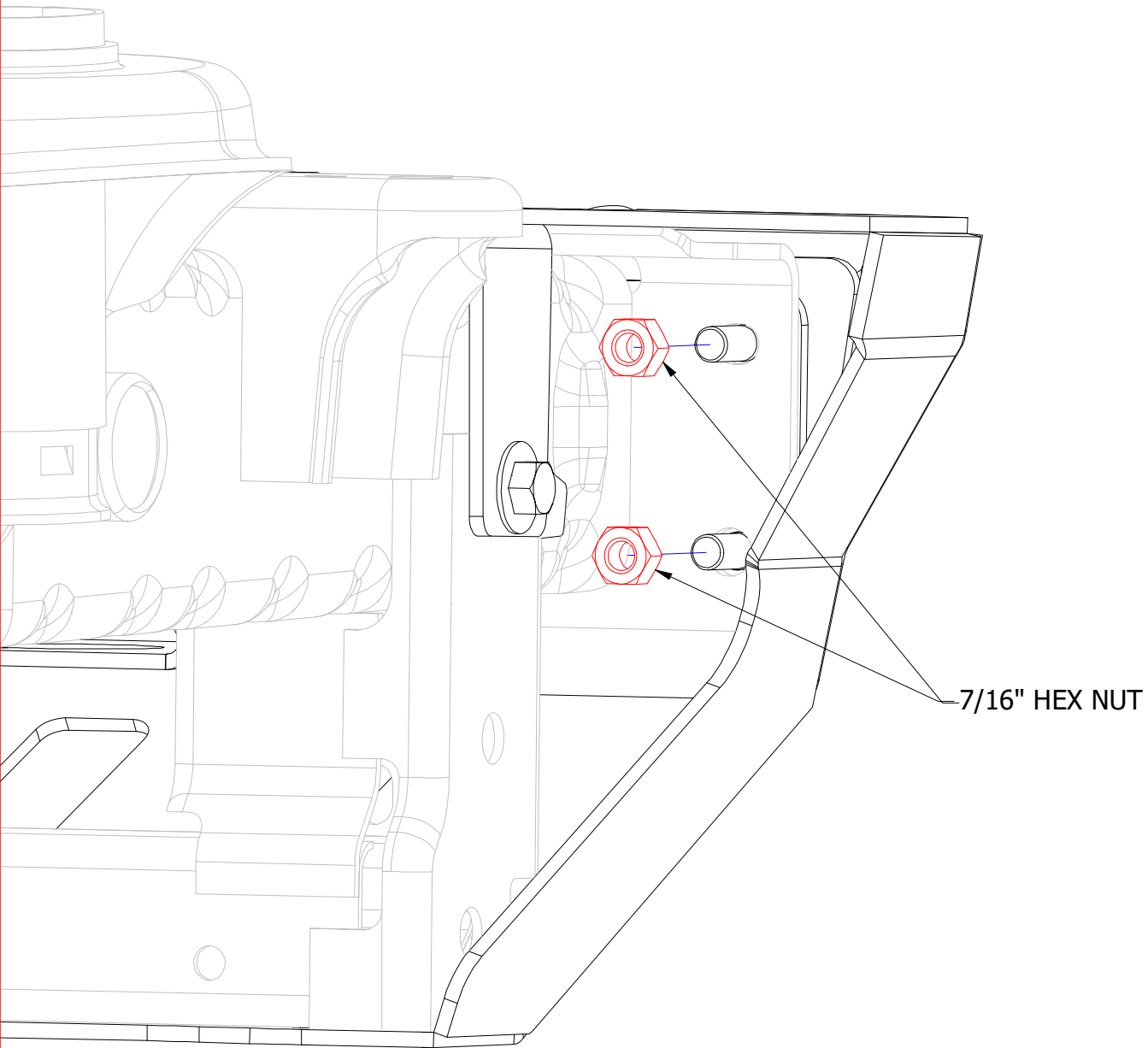
7/16" x 1" HEX BOLT

7/16" FLAT WASHER

7/16" HEX NUT

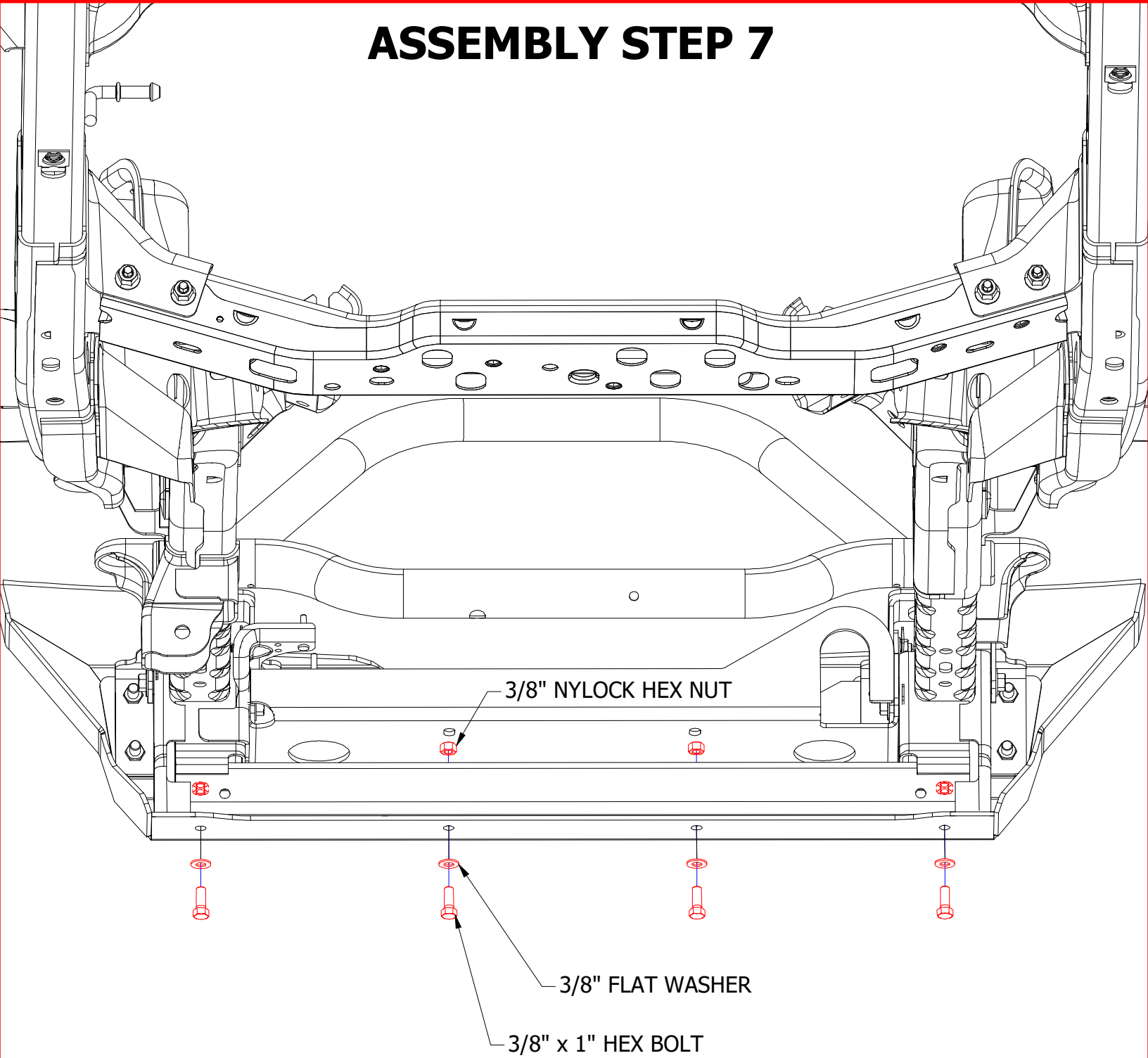
MB1011 - Assembly Instructions Jeep JK Recessed Winch Front Bumper

ASSEMBLY STEP 6



MB1011 - Assembly Instructions Jeep JK Recessed Winch Front Bumper

ASSEMBLY STEP 7



NOTE: HOLES MAY NEED TO BE DRILLED