



# KEY FOB CASE

(2018-2023+ WRANGLER JL)  
(2020-2023+ GLADIATOR JT)

---

## INSTALLATION INSTRUCTIONS

### CONTENTS

---

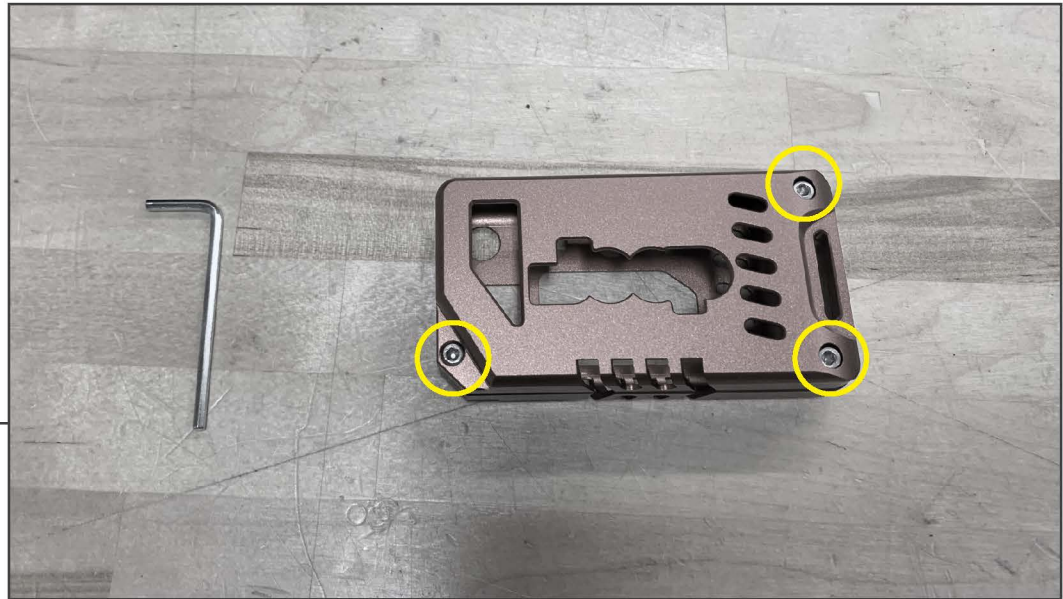
(1) Key Fob Case  
(1) Allen Key

### TOOLS REQUIRED

---

Allen Key (Provided)

SKU #  
J165231 / J165232 / J165233



## STEP 1

Remove the (3) Allen bolts from the key fob case using the included Allen Key. Allow the (2) halves of the case to separate.



## STEP 2

Remove any key rings from the vehicle key fob. Place the (2) key fob case halves around the vehicle key fob. Re-install the key fob case Allen bolts and tighten until secure. Install any key rings to the lower key ring cutout.

Installation is now complete.