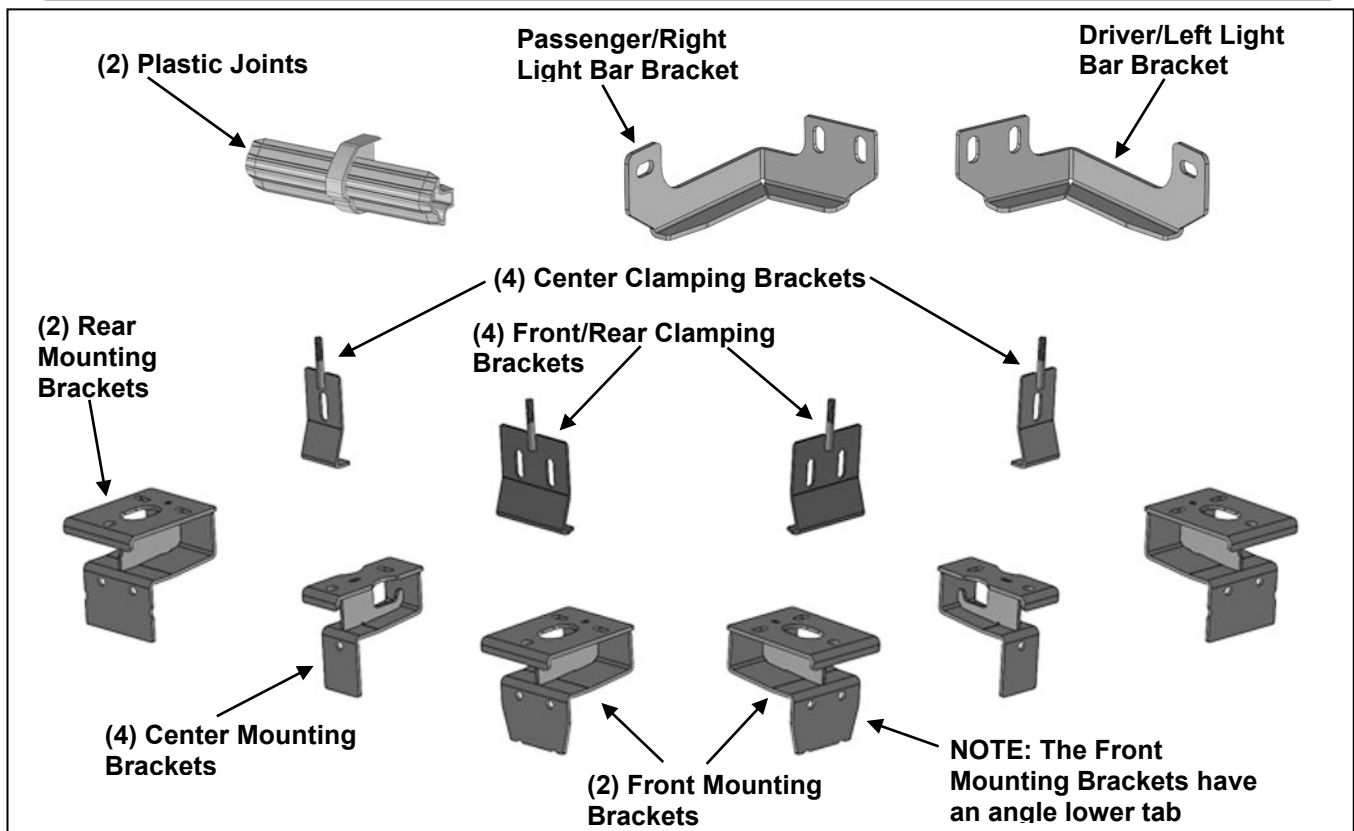


J142019

2	Front/Rear PR1 Platform	4	89mm Rubber Trims
2	Plastic Joints	4	50mm Rubber Trims
4	Front/Rear Clamping Brackets	4	8mm x 35mm Hex Bolts
4	Center Clamping Brackets	8	8mm x 25mm Combo Bolts
2	Front Mounting Brackets	2	8mm x 16mm Button Head Bolts
2	Rear Mounting Brackets	14	8mm x 24mm OD x 2mm Flat Washers
4	Center Mounting Brackets	6	8mm Lock Washers
1	Driver/Left Light Bar Bracket	8	8mm Nylon Lock Nuts
1	Passenger/Right Light Bar Bracket	8	8mm Plastic Hex Nut Caps
4	Cube Light Brackets	4	6mm x 25mm Double Bolt Plate
2	90mm x 24mm x 10mm Spacers	4	6mm x 20mm Hex Bolts
4	97mm x 115mm x 1mm Foam Strips	8	6mm x 20mm Combo Bolts
4	89mm x 35mm x 5mm Foam Strips	16	6mm x 18mm OD x 1.6mm Flat Washers
4	89mm x 30mm x 3mm Foam Strips	12	6mm Nylon Lock Nuts
4	50mm x 115mm x 1mm Foam Strips	1	5mm Hex Wrench
4	50mm x 35mm x 5mm Foam Strips	1	4mm Hex Wrench
4	50mm x 30mm x 3mm Foam Strips		

CAUTION: Recommended load rate is 300 lbs. Platform only, too much weight will greatly reduce the stability of the vehicle and increase the vehicle's tendency to overturn or damage roof. The manufacturer makes no representation or warranty as to the amount of weight that the vehicle can safely carry. For guidance, we recommend that you consult the vehicle manufacturer. Secure all payloads properly for safe transportation.

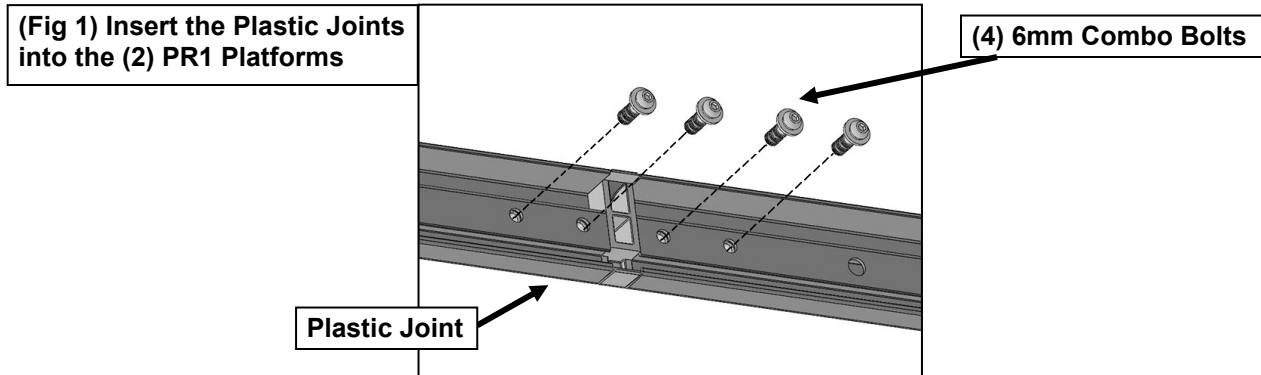


PROCEDURE: REMOVE CONTENTS FROM BOX. VERIFY ALL PARTS ARE PRESENT. READ INSTRUCTIONS CAREFULLY BEFORE STARTING INSTALLATION. ASSISTANCE RECOMMENDED.

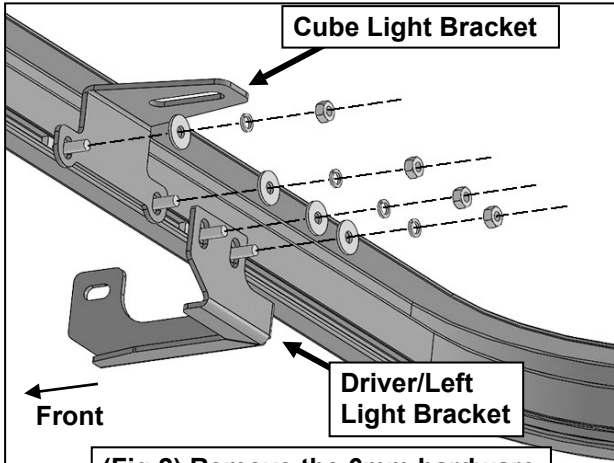
HD HARD TOP ROOF RACK

2018-26 JEEP WRANGLER JL/ 2020-26 GLADIATOR 4 DOOR WITH HARD TOP

1. Select the (2) Front/Rear PR1 Platforms. Use (2) Plastic Joints to attach the Platforms together with (8) 6mm Combo Bolts, **(Figure 1)**.
 2. Move to the front end of the Platform. Select the Light Bar Brackets and (2) Cube Light Brackets. Temporarily remove the 6mm hex nut, 6mm Flat washer, and 6mm Lock washer hardware from the 6mm T-Bolts. Reuse the hardware to attach the Light Brackets to the Platform, **(Figure 2)**.
 3. Next, select (1) Front Mounting Bracket.
 - a. Attach (1) 97mm x 115mm Foam Strip to the top of the Bracket, **(Figure 3)**.
 - b. Attach (1) 89mm x 35mm Foam Strip to the lower plate of the Bracket, **(Figure 3)**.
 - c. Attach (1) 89mm Rubber Trim to the bottom edge of the Bracket, **(Figure 3)**.
 4. Attach (1) Front Mounting Bracket to the front crossbar on the Platform with (1) 6mm Double Bolt Plate, (2) 6mm Flat Washers and (2) 6mm Nylon Lock Nuts, **(Figure 4)**. Do not tighten hardware.
 5. Attach (1) Center Mounting Bracket with (1) 6mm x 20mm Hex Bolt, (2) 6mm Flat Washers and (1) 6mm Nylon Lock Nut, **(Figure 5)**. Do not tighten hardware.
 6. Repeat **Steps 3—5** to attach the remaining (6) Mounting Brackets to the Platform. **NOTE:** The Center Mounting Brackets will use the shorter Foam Strips.
 7. With assistance, place the PR1 Platform on top of the vehicle and the bottoms of the Mounting Brackets in the rain gutters. **NOTE:** Place the rear mounting bracket of the platform approximately 5-11/32" in front of the rear end of the rain gutter. The measurement will be to the center of the rear mounting bracket **(Figure 6a)**.
 - a. Reference **(Figure 6b)** for the positioning of the front and center mounting brackets starting from the rear mounting bracket
 8. Select (1) Front/Rear Clamp Bracket. Attach (1) 89mm x 30mm Foam Strip into the bottom curve of the Bracket, **(Figure 7)**. Attach the Clamp Bracket to the Mounting Bracket and rain gutter of the vehicle with (1) 8mm x 24mm Flat Washer and (1) 8mm Nylon Lock Nut, **(Figure 8)**. Do not tighten hardware.
 9. Repeat **Step 8** for the remaining (7) Front and Center Clamp Brackets. **NOTE:** The Center Clamp Brackets will use the shorter Foam Strips.
 10. Tighten all Clamp Brackets while leveling the Platform. Once leveled, lock the Clamp Brackets in place with (8) 8mm Combo Bolts into the Front and Center Brackets, **(Figure 9)**. Do not tighten hardware.
 11. Secure the Rear Clamp Brackets to the Mounting Brackets with (4) 8mm x 35mm Hex Bolts, (4) 8mm Lock Washers, (4) 8mm Flat Washers and (2) 90mm Spacers, **(Figure 10)**. Do not tighten hardware.
 12. Level and adjust the PR1 Platform and tighten all hardware.
 13. Select 8mm Plastic Hex nut caps and install over the 8mm studs on the front, center, and rear clamping brackets. **(Figure 11)**
 14. **Light Bar installation, (Light Bar not included)**
 - a. Attach the Light Bar to the Light Bar Brackets with (2) 8mm x 16mm Button Head Bolts, (2) 8mm Lock Washers and (2) 8mm x 24mm Flat Washers, **(Figure 12)**.
 - b. Follow the Light Bar's manufacturer instructions for proper wiring.
- Light Cube installation, (Light Cube not included):**
- a. Attach (1) Light Cube to the Light Cube Brackets using the Light Cube manufacturer hardware
 - b. Follow the Light Cube's manufacturer instructions for proper wiring.
15. Do periodic inspections to the installation to make sure that all hardware is secure and tight.
- To protect your investment,** Do not use any type of polish or wax that may contain abrasives that could damage the finish. Mild soap may be used to clean the Roof Basket.

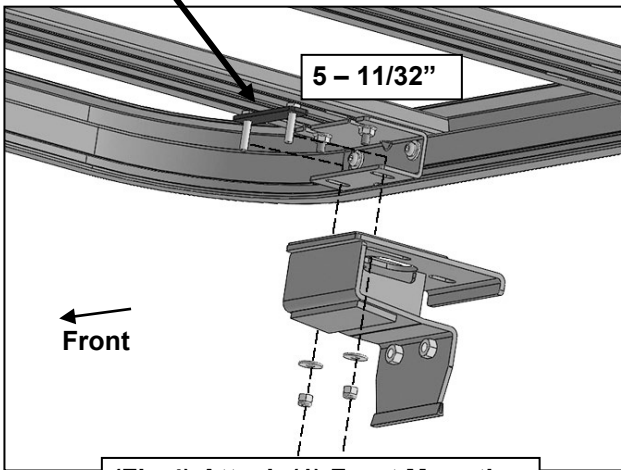


**HD HARD TOP ROOF RACK
2018-26 JEEP WRANGLER JL/ 2020-26 GLADIATOR 4 DOOR WITH HARD TOP**

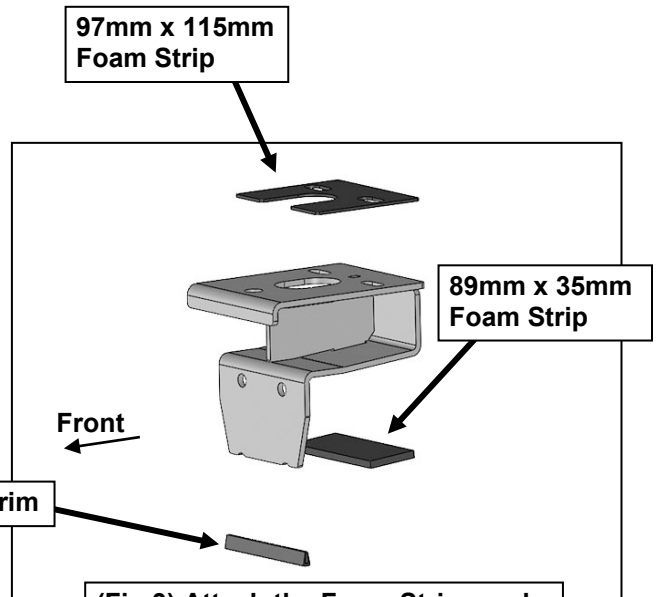


(Fig 2) Remove the 6mm hardware to attach the Light Brackets

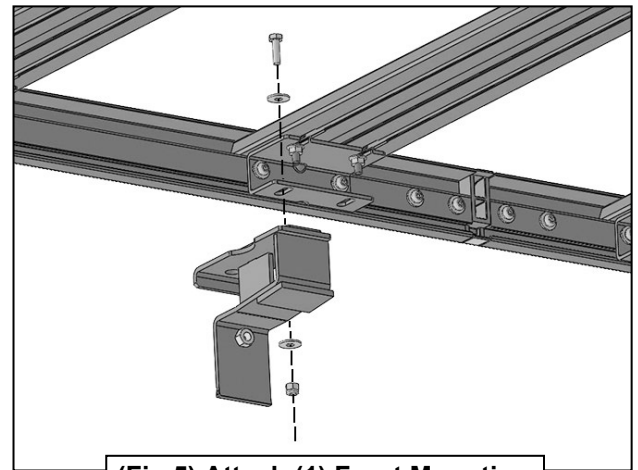
- 6mm Double Bolt Plate
- (2) 6mm Flat Washers
- (2) 6mm Nylon Lock Nuts



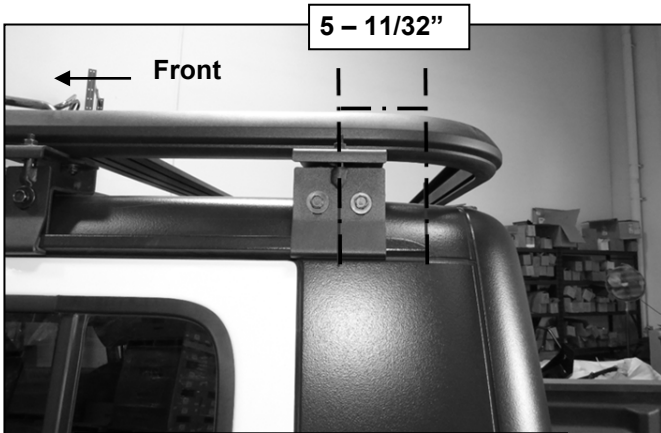
(Fig 4) Attach (1) Front Mounting Bracket to the front crossbar



(Fig 3) Attach the Foam Strips and Rubber Trim the Mounting Brackets (Front Mounting Bracket shown)

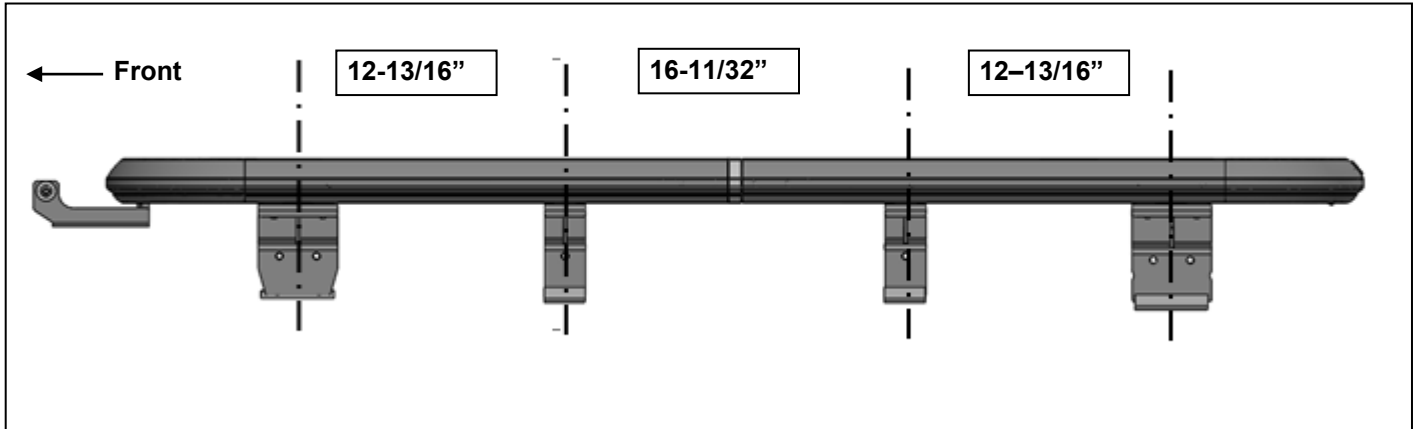


(Fig 5) Attach (1) Front Mounting Bracket to the front crossbar

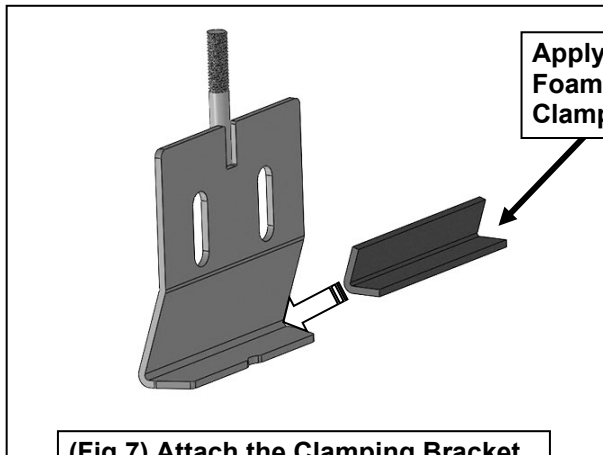


(Fig 6a) Position the rear mounting bracket to sit 5-11/32" in front of rear end of rain gutter

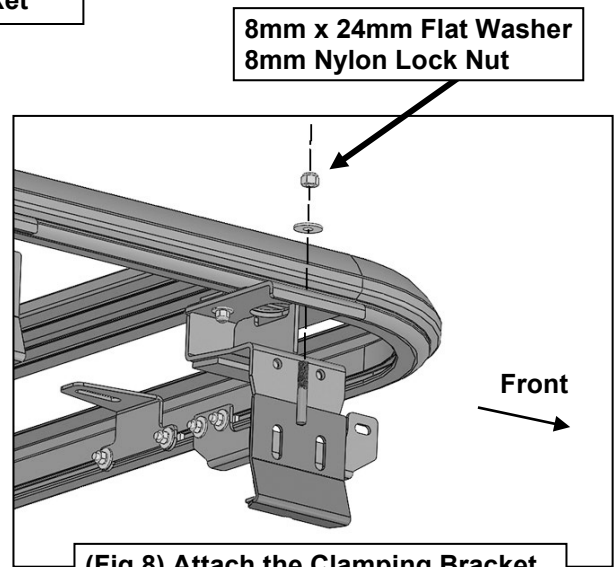
HD HARD TOP ROOF RACK
2018-26 JEEP WRANGLER JL/ 2020-26 GLADIATOR 4 DOOR WITH HARD TOP



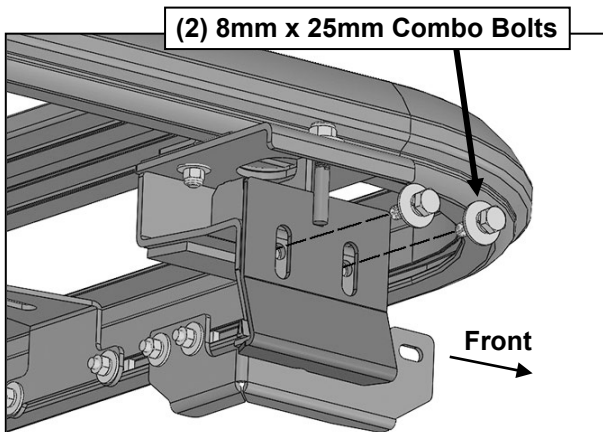
(Fig 6b) Reference position measurements above for the rest of the mounting brackets



(Fig 7) Attach the Clamping Bracket to the Mounting Bracket and the rain gutter on the side of the vehicle



(Fig 8) Attach the Clamping Bracket to the Mounting Bracket and the rain gutter on the side of the vehicle

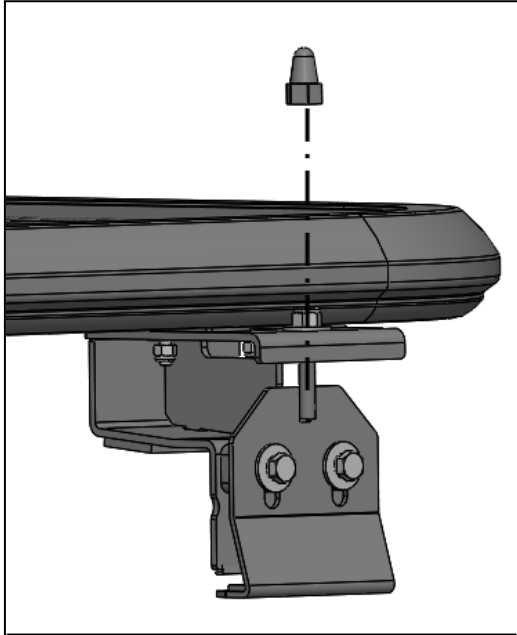


(Fig 9) Secure the Brackets to the rain gutter

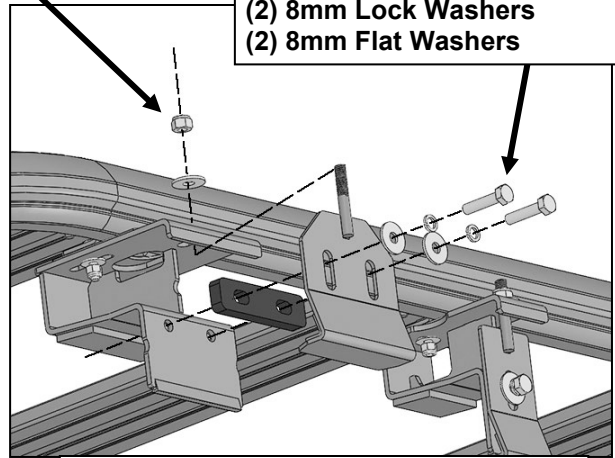
HD HARD TOP ROOF RACK
2018-26 JEEP WRANGLER JL/ 2020-26 GLADIATOR 4 DOOR WITH HARD TOP

8mm x 24mm Flat Washer
8mm Nylon Lock Nut

(2) 8mm x 35mm Hex Bolts
(2) 8mm Lock Washers
(2) 8mm Flat Washers

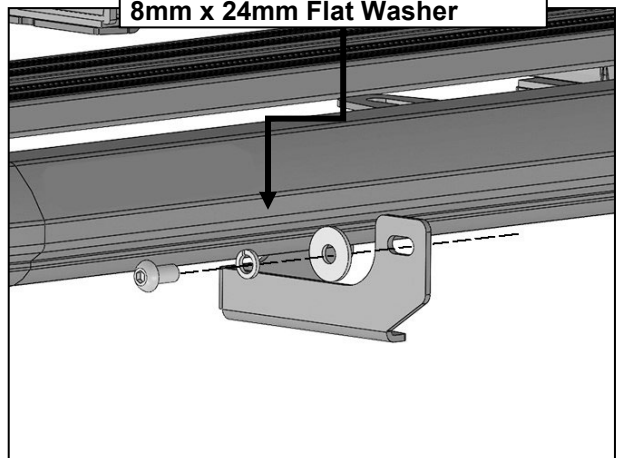


(Fig 11) Attach the 8mm plastic hex nut cap to the 8mm studs of clamping bracket



(Fig 10) Attach the Clamping Bracket to the rear Mounting Bracket and the rain gutter on the side of the vehicle

8mm x 16mm Button Head Bolt
8mm Lock Washer
8mm x 24mm Flat Washer



(Fig 12) Attach a light bar to the Light Bar Brackets, (Light Bar not included)



Complete installation